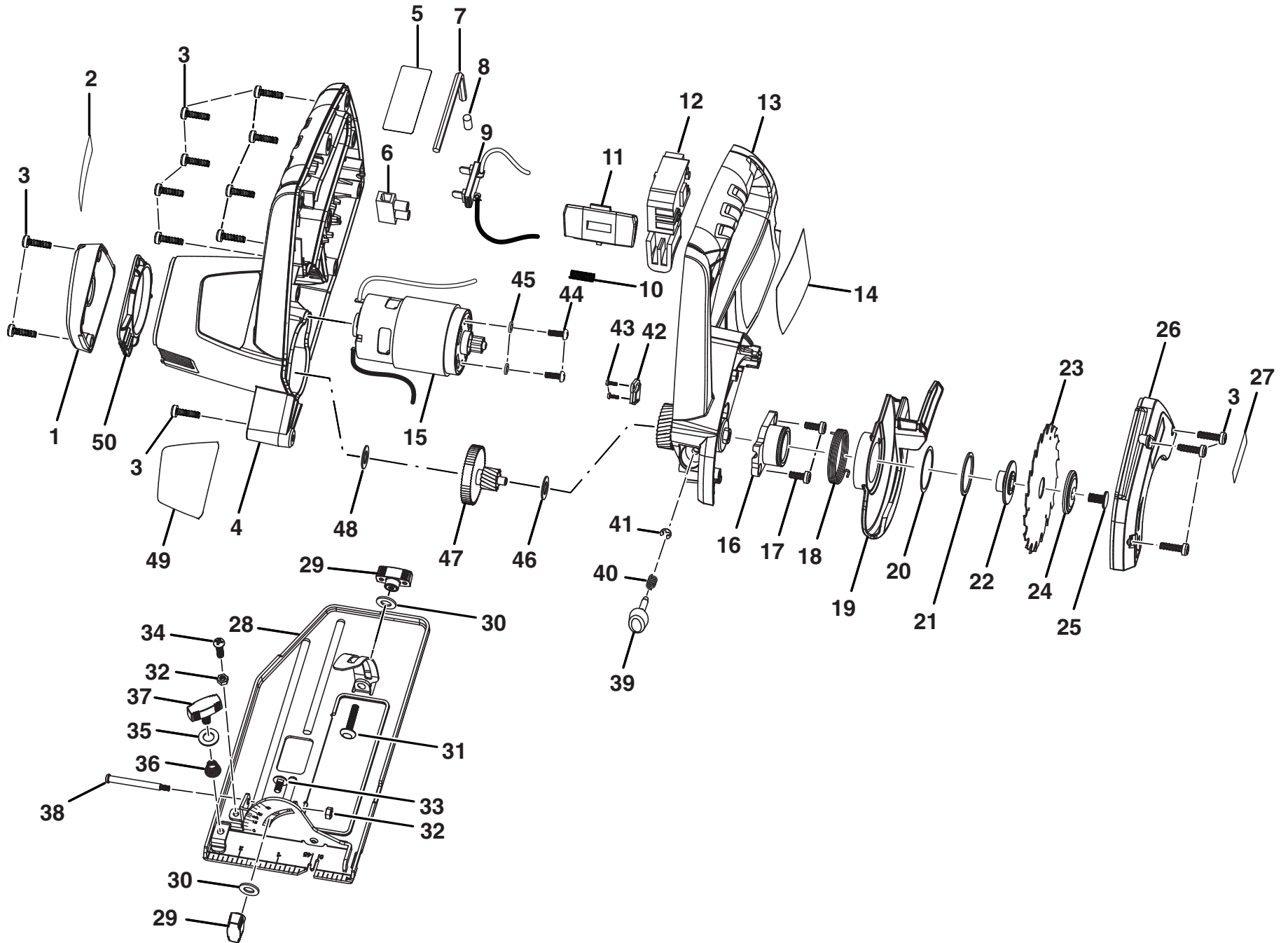


RYOBI 12 VOLT CIRCULAR SAW – MODEL NUMBER CS120L



## RYOBI 12 VOLT CIRCULAR SAW – MODEL NUMBER CS120L

The model number will be found on a plate attached to the motor housing. Always mention the model number in all correspondence regarding your **CIRCULAR SAW** or when ordering repair parts.

### PARTS LIST

KEY NO.	PART NUMBER	DESCRIPTION	QTY	KEY NO.	PART NUMBER	DESCRIPTION	QTY
1	517290001	END COVER .....	1	14	940221031	WARNING LABEL.....	1
2	940114178	LOGO LABEL.....	1	15	200733001	MOTOR and PINION ASSEMBLY.....	1
3	660031006	* SCREW (M3.5 x 16 mm) .....	14	16	517295001	LOWER GUARD SUPPORT... ..	1
4	200731001	MOTOR HOUSING ASSEMBLY.....	1	17	660031009	* SCREW (M3.5 x 10 mm) .....	2
5	940221032	WARNING LABEL .....	1	18	692204001	TORSION SPRING .....	1
6	690331005	TERMINAL BLOCK .....	1	19	517292001	LOWER GUARD.....	1
7	681215001	HEX KEY (M4).....	1	20	632171001	WASHER.....	1
8	560219006	HEX KEY STORAGE .....	1	21	632669001	RETAINING RING .....	1
9	200749001	CONTACT PLATE HOLDER .....	1	22	672847001	INNER BLADE WASHER.....	1
10	672552001	SAFETY SPRING.....	1	23	672637001	BLADE ( 20T) .....	1
11	515948001	SAFETY BUTTON.....	1	24	632893001	OUTER BLADE WASHER .....	1
12	760428008	SWITCH .....	1	25	660475001	* SCREW (M5 x 0.8 mm) .....	1
13	200735001	UPPER GUARD w/OUTPUT SHAFT ASSEMBLY.....	1	26	302874001	UPPER GUARD COVER .....	1

\*STANDARD HARDWARE ITEM – MAY BE PURCHASED LOCALLY

## RYOBI 12 VOLT CIRCULAR SAW – MODEL NUMBER CS120L

The model number will be found on a plate attached to the motor housing. Always mention the model number in all correspondence regarding your **CIRCULAR SAW** or when ordering repair parts.

### PARTS LIST

KEY NO.	PART NUMBER	DESCRIPTION	QTY	KEY NO.	PART NUMBER	DESCRIPTION	QTY
27	940114191	LOGO LABEL ON UPPER GUARD COVER.....	1	40	681271001	SPRING.....	1
28	632532001	BASE ASSEMBLY.....	1	41	632173001	E-RING.....	1
29	302806001	KNOB BOLT ASSEMBLY.....	2	42	517298001	SPRING LOCK COVER.....	1
30	632831001	WASHER.....	2	43	660226004	* SCREW (M2 x 7 mm).....	2
31	660322001	* SCREW (M4 x 20 mm).....	1	44	660212047	* SCREW (M4 x 14.5 mm).....	2
32	671331001	* HEX NUT (M3).....	2	45	670030004	SPRING WASHER.....	2
33	660322004	* SCREW (M4 x 10 mm).....	1	46	670914001	WASHER.....	1
34	660380006	* SCREW (M3 x 10 mm).....	1	47	200734001	GEAR and SHAFT ASSEMBLY.....	1
35	680027001	WASHER.....	1	48	632524001	WASHER.....	1
36	680001002	SPRING.....	1	49	940976290	DATA LABEL.....	1
37	301124002	EDGE GUIDE KNOB.....	1	50	517293001	MOTOR COVER.....	1
38	660211051	* SCREW (M3 x 0.5 mm).....	1		987000349	OPERATOR'S MANUAL (961022023).....	1
39	302807001	SPINDLE LOCK ASSEMBLY.....	1		06-22-09 (REV:01)		

\*STANDARD HARDWARE ITEM – MAY BE PURCHASED LOCALLY