

## Cordl Reciprocating Saw - 3 601 F4J 010 - CRS180

www.powertools-aftersaleservice.com



**BOSCH**

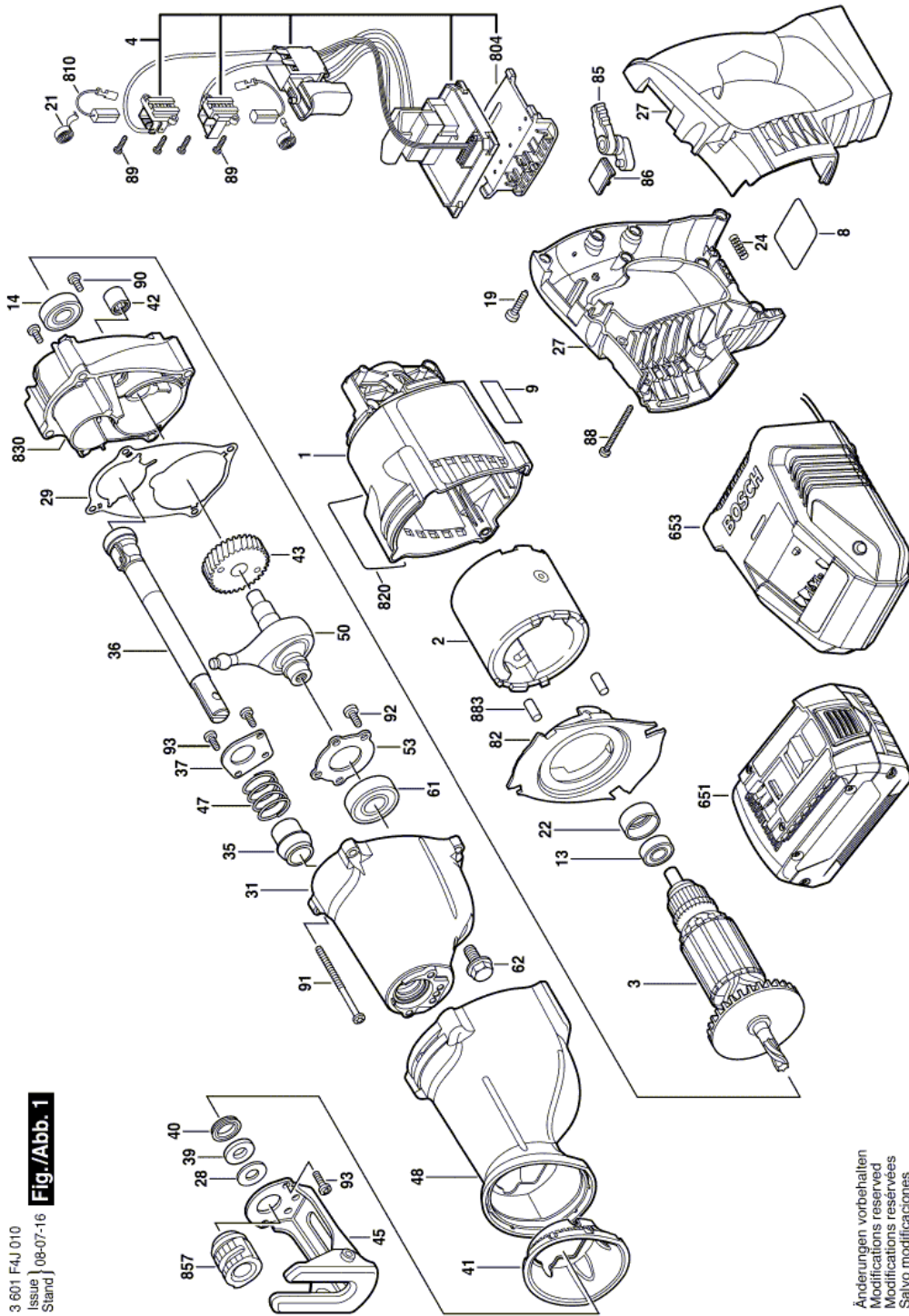
Item	Part Number	Description	Illustration	Price	Quantity	Price Group
1	2 610 943 009	Motor Housing BLUE	1	-,-	1	-
2	2 610 942 109	Pole housing 18V	1	-,-	1	29
3	2 610 957 808	Armature 18V	1	-,-	1	39
4	1 607 233 336	Electronics Module	1	-,-	1	43
8	2 610 956 937	Nameplate	1	-,-	1	13
9	2 610 945 890	Manufacturer's nameplate	1	-,-	1	13
13	1 619 P01 511	Ball Bearing	1	-,-	1	19
14	1 900 905 173	Deep-Groove Ball Bearing 6000-2RS DIN 625	1	-,-	1	17
19	2 610 315 386	Screw ST3,9x19	1	-,-	6	11
21	2 610 907 388	Spiral Spring	1	-,-	2	14
22	1 619 P01 127	Rubber Ring	1	-,-	1	10
24	2 604 690 055	Compression Spring	1	-,-	1	10
27	2 610 956 663	Set Of Handles BLUE	1	-,-	1	27
28	2 610 908 804	Protective Washer	1	-,-	1	13
29	2 610 934 995	Gasket	1	-,-	1	15
31	2 610 935 103	Front Housing	1	-,-	1	31
35	2 610 934 999	Sintered-Metal Bushing	1	-,-	1	17
36	2 610 944 393	Spindle Assembly	1	-,-	1	36
37	2 610 935 431	Spring Retaining Plate	1	-,-	1	12
39	2 610 030 004	Felt Washer SP 14,0	1	-,-	1	12
40	2 610 995 815	Shaft Seal	1	-,-	1	22
41	2 610 935 004	Plastic Collar	1	-,-	1	13
42	2 610 908 698	Bearing Shell	1	-,-	1	20
43	2 610 942 118	Conversion Gear	1	-,-	1	30
45	2 610 935 005	Supporting foot	1	-,-	1	21
47	2 610 937 437	Compression Spring	1	-,-	1	11
48	2 610 935 008	Insulating Sleeve	1	-,-	1	34
50	2 610 938 887	Wobble Plate	1	-,-	1	40
53	2 610 935 010	Retaining Plate	1	-,-	1	12
61	1 900 905 162	Deep-Groove Ball Bearing 15x32x9	1	-,-	1	28
62	2 610 918 051	Trunnion	1	-,-	1	11
82	2 610 935 014	Baffle	1	-,-	1	19
85	2 610 956 664	Selector Switch	1	-,-	1	11

Item	Part Number	Description	Illustration	Price	Quantity	Price Group
86	2 610 956 683	Sliding Plate	1	-,-	1	10
88	1 619 P01 446	Screw	1	-,-	2	10
89	1 619 P06 252	Torx Oval-Head Screw	1	-,-	4	10
90	1 603 435 068	Thread-forming tap. Screw DIN 7500, M4x10, SR10.2	1	-,-	2	11
91	1 619 P01 932	Screw BLACK	1	-,-	4	10
92	1 619 P01 447	Screw	1	-,-	4	10
93	1 619 P01 931	Screw BLACK	1	-,-	7	10
651	2 607 336 093	Battery Set 18V, 2,6Ah, LI, MS	1	-,-	1	52
653	2 607 225 327	Charger USA 120/10,8-18V, 30 MIN	1	-,-	1	49
804	1 609 280 478	Contact retainer	1	-,-	1	26
810	2 610 943 623	Carbon-Brush Set	1	-,-	1	24
820	2 610 003 217	Warning Label	1	-,-	1	-
830	2 610 945 335	Bearing Plate	1	-,-	1	34
857	2 610 920 684	Toolholder	1	-,-	1	34
883	3 602 391 503	Rubber-Inter Calation	1	-,-	2	11

## Product information Cordl Reciprocating Saw - 3 601 F4J 010 - CRS180

Product No	3 601 F4J 010
Description	264.369; Cordl Reciprocating Saw
DIN-Text	
ID_Text_Ext	0
Trading_Description	CRS180
Voltage_1	18 V
ID_Country_Product	USA

Illustration - Type E



3 601 F4J 010  
Issue | 08-07-16  
Stand | **Fig./Abb. 1**

Änderungen vorbehalten  
Modifications reserved  
Modificacions reservadas  
Salvo modificaciones

Information subject to change without further notice.