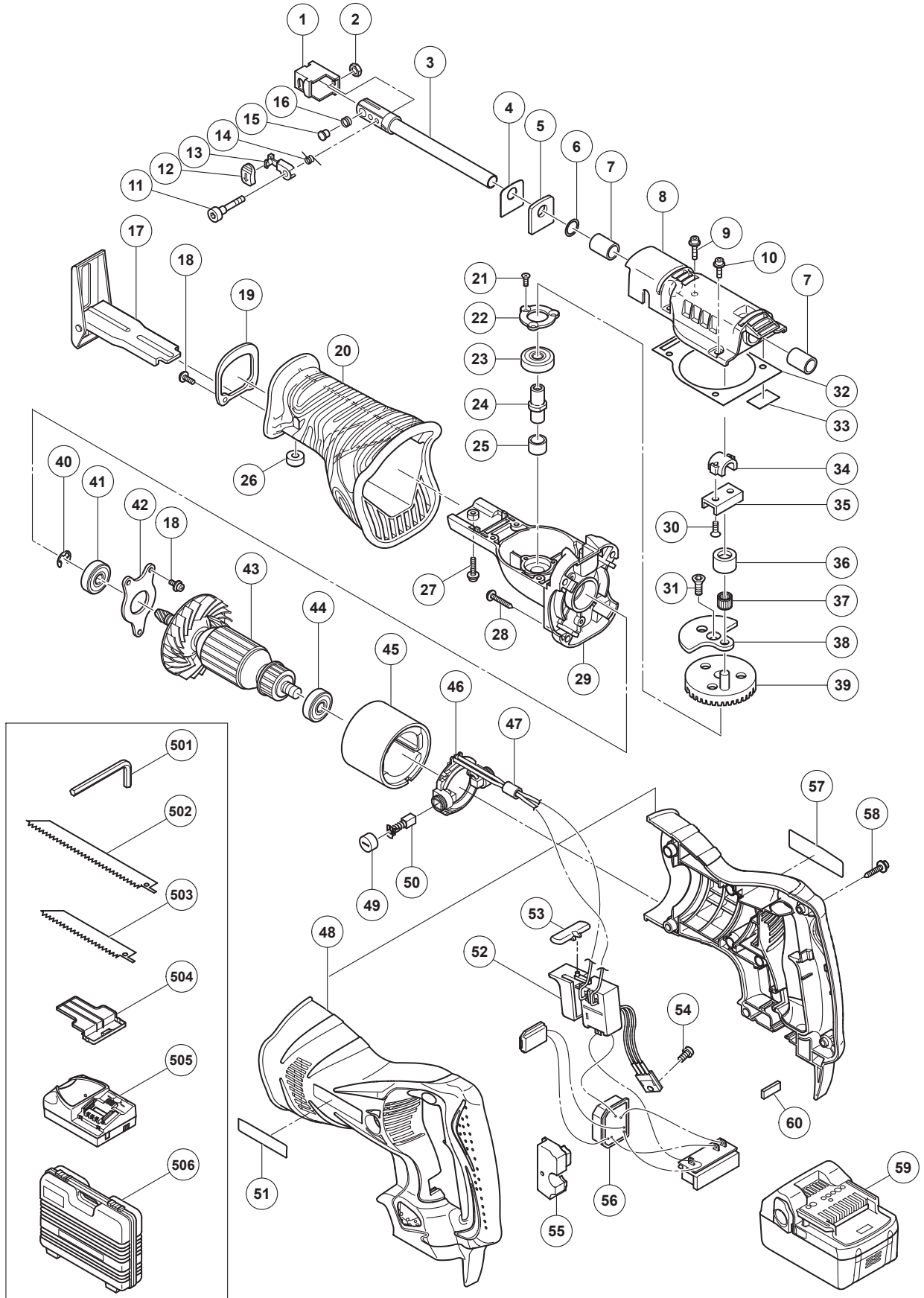


ELECTRIC TOOL PARTS LIST

CORDLESS RECIPROCATING SAW Model CR 18DSL

2008·10·6
(E1)



PARTS

CR 18DSL

ITEM NO.	CODE NO.	DESCRIPTION	NO. USED	REMARKS	
1	321-132	BLADE HOLDER (A)	1		
2	322-709	NUT M4 (BLACK)	1		
3	324-472	PLUNGER	1		
4	996-401	PACKING WASHER	1		
5	996-400	FELT PACKING	1		
6	996-407	O-RING (1AP-12)	1		
7	956-589	METAL	2		
8	324-471	UPPER COVER ASS'Y	1	INCLUD. 7	
9	305-583	HEX. SOCKET HD. BOLT (W/SP.WASHER) M5X20	2		
10	305-574	HEX. SOCKET HD. BOLT (W/SP.WASHER) M5X16	2		
11	322-134	SPECIAL BOLT M4	1		
12	321-130	CAP	1		
13	321-131	LEVER (A)	1		
14	321-135	SPRING (D)	1		
15	321-134	HOLDER PIN (B)	1		
16	318-483	SPRING (B)	1		
17	319-866	BASE	1		
18	951-039	MACHINE SCREW (W/SP. WASHER) M4X12	5		
19	324-474	COVER PLATE	1		
20	324-473	FRONT COVER	1		
21	993-244	SEAL LOCK FLAT HD. SCREW M4X12	3		
22	319-849	BEARING COVER (B)	1		
23	690-1VV	BALL BEARING 6901VVCMP2L	1		
24	319-848	SPINDLE	1		
25	954-789	METAL (B)	1		
*	26	326-353	CAP (A)	1	FOR USA, CAN
	27	996-399	HEX. SOCKET HD. BOLT (W/FLANGE) M5X12	1	
	28	986-011	TAPPING SCREW (W/SP. WASHER) D5X30	4	
	29	319-844	GEAR COVER ASS'Y	1	INCLUD. 25
	30	319-875	SEAL LOCK HEX. SOCKET FLAT HD. BOLT M5X12	2	
	31	319-851	NYLOCK HEX. SOCKET FLAT HD. BOLT M6X16	1	
	32	319-856	SEAL PACKING	1	
	33	319-874	PACKING (B)	1	
	34	983-567	CONNECTOR HOLDER	1	
	35	996-405	CONNECTOR	1	
	36	983-541	CONNECTING PIECE (A)	1	
	37	324-470	NEEDLE ROLLER	1	
	38	319-852	BALANCE WEIGHT	1	
	39	324-469	GEAR	1	
	40	670-514	RETAINING RING (E-TYPE) FOR D10 SHAFT	1	
	41	600-1VV	BALL BEARING 6001VVCMP2L	1	
	42	319-843	BEARING COVER (A)	1	
	43	360-703	ARMATURE ASS'Y DC 18V	1	INCLUD. 40-42, 44
	44	608-VVM	BALL BEARING 608VVC2PS2L	1	
	45	324-468	MAGNET	1	
	46	324-478	BRUSH BLOCK	1	
*	47	318-247	FERRITE CORE	1	EXCEPT FOR AUS, NZL, USA, CAN
	48	330-159	HOUSING (A).(B) SET	1	INCLUD. 60
	49	319-847	BRUSH CAP	2	
	50	999-068	CARBON BRUSH (1 PAIR)	2	

PARTS

CR 18DSL

ITEM NO.	CODE NO.	DESCRIPTION	NO. USED	REMARKS
51	886-342	HITACHI PLATE	1	
52	319-861	DC-SPEED CONTROL SWITCH	1	
53	319-760	PUSHING BUTTON	1	
54	993-963	MACHINE SCREW (W/WASHERS) M3X12	1	
55	319-812	HEAT SINK	1	
56	330-160	CONTROLLER TERMINAL SET	1	
57		NAME PLATE	1	
58	301-653	TAPPING SCREW (W/FLANGE) D4X20 (BLACK)	8	
* 59	330-068	BATTERY BSL 1830 (EUROPE, AUS, NZL)	2	
* 59	330-067	BATTERY BSL 1830 (USA, CAN)	2	
60	328-709	PACKING	1	

STANDARD ACCESSORIES

ITEM NO.	CODE NO.	DESCRIPTION	NO. USED	REMARKS
501	944-458	HEX. BAR WRENCH 4MM	1	
* 502	318-621	SABER SAW BLADES NO.132 203L (5 PCS.)	1	FOR USA, CAN
503	318-613	SABER SAW BLADES NO.103 150L P.14 (5 PCS.)	1	
504	329-897	BATTERY COVER	1	
505		CHARGER (MODEL UC 18YRSL)	1	
506	330-157	CASE	1	

OPTIONAL ACCESSORIES

CR 18DSL

ITEM NO.	CODE NO.	DESCRIPTION	NO. USED	REMARKS	
601	959-610	SABER SAW BLADES NO. 1 (5 PCS.)	1		
602	958-182	SABER SAW BLADES NO. 2 (5 PCS.)	1		
603	958-183	SABER SAW BLADES NO. 3 (5 PCS.)	1		
604	959-611	SABER SAW BLADES NO. 4 (5 PCS.)	1		
605	958-185	SABER SAW BLADES NO. 5 (5 PCS.)	1		
606	958-188	SABER SAW BLADES NO. 8 (5 PCS.)	1		
607	996-427	SABER SAW BLADES NO. 9 (3 PCS.)	1		
608	318-611	SABER SAW BLADES NO. 101 150L P. 10 (5 PCS.)	1		
609	318-612	SABER SAW BLADES NO. 102 228L P. 10 (5 PCS.)	1		
610	318-614	SABER SAW BLADES NO. 104 228L P. 14 (5 PCS.)	1		
611	318-617	SABER SAW BLADES NO. 107 150L P. 24 (5 PCS.)	1		
612	318-618	SABER SAW BLADES NO. 108 228L P. 24 (5 PCS.)	1		
613	324-818	SABER SAW BLADES NO. 109 150L P. 18 (5 PCS.)	1		
614	324-819	SABER SAW BLADES NO. 110 228L P. 18 (5 PCS.)	1		
615	318-619	SABER SAW BLADES NO. 121 305L P. 6 (5 PCS.)	1		
616	318-620	SABER SAW BLADES NO. 131 305L P. 10/14 (5 PCS.)	1		