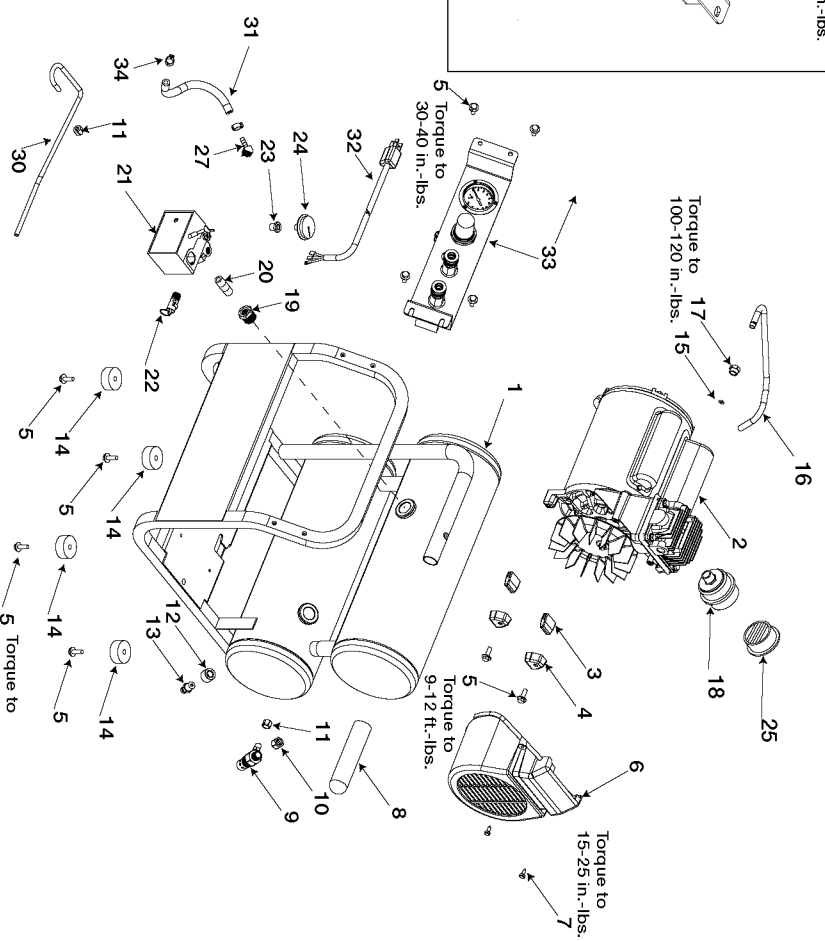
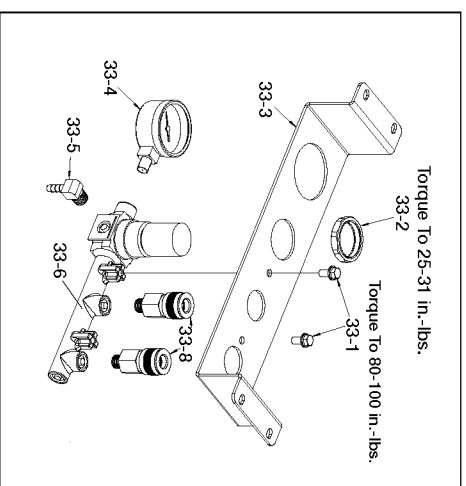


PORTER-CABLE

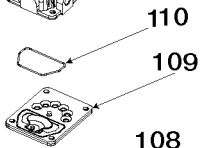
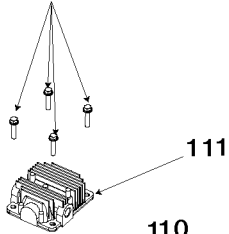
CPF23400S-3

Side Stack Compressor

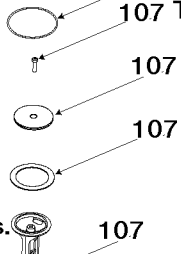
WARNING: Electrical repairs should only be attempted by trained repairmen. Contact the nearest Porter-Cable Service Center or other competent repair center.



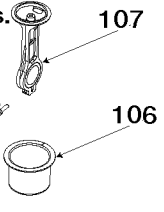
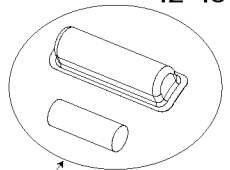
113 Torque to 7-10 ft.-lbs.



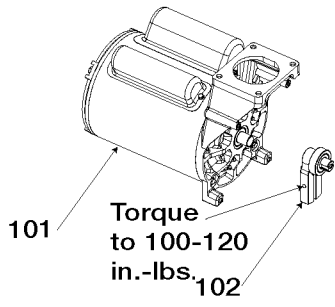
107 Torque to 51-63 in.-lbs.



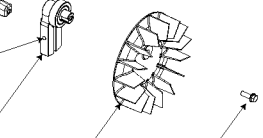
112 Torque to 42-48 in.-lbs.



114



Torque to 100-120 in.-lbs.



105 Torque to 100-120 in.-lbs.

Parts List for CPFFR350 Type 1

| Item Number | Part Number | Description | Qty Required |
|-------------|-------------|----------------------|--------------|
| 1 | 000000-00 | No Longer Available | 1 |
| 2 | 000000-00 | No Longer Available | 1 |
| 3 | ACG-19 | ISOLATOR 3 POINT MOU | 1 |
| 4 | ACG-18 | CUP SADDLE MOUNT | 1 |
| 5 | 91895680 | SCREW .250-20X.750 H | 1 |
| 6 | D20653 | SHROUD MINI P-C GRAY | 1 |
| 7 | ACG-408 | ASSY FASTENER | 1 |
| 8 | AC-0261 | GRIP HANDLE 1.00 TUB | 1 |
| 9 | A19712 | VALVE CHECK 1/2NPT X | 1 |
| 10 | SSP-7813 | ASSY NUT SLEEVE 3/8 | 1 |
| 11 | SSP-7811 | ASSY NUT SLEEVE 1/4 | 1 |
| 12 | 000000-00 | No Longer Available | 1 |
| 13 | A17038 | DRAIN VALVE | 1 |
| 14 | D24721 | KIT ISOLATOR W/SCREW | 1 |
| 15 | SSG-3105 | ORING 306/296ID 073/ | 1 |
| 16 | D20694 | TUBE OUTLET CPF23400 | 1 |
| 17 | SSP-7821-1 | NUT .563-18 UNF HEX | 1 |
| 18 | N022307 | FILTER ASSY. | 1 |
| 19 | SSP-517 | BUSHING HEX REDUCER | 1 |
| 20 | D23699 | NIPPLE .25NPT X 2.0 | 1 |
| 21 | 5140118-56 | PRESSURE SWITCH | 1 |
| 22 | TIA-4150 | VALVE SAFETY 150 .25 | 1 |
| 23 | SSP-6021 | BUSHING REDUCER 1/8- | 1 |
| 24 | Z-D23004 | GAUGE 1.5OD 200PSI . | 1 |
| 25 | N022053 | FILTER REPLACEMENT | 1 |
| 25 | D24322 | FILTER REPLACEMENT | 1 |
| 27 | D23299 | FITTING 45DG ELBOW B | 1 |

Parts List for CPFFR350 Type 1

| Item Number | Part Number | Description | Qty Required |
|-------------|-------------|----------------------|--------------|
| 30 | D28086 | TUBE PRESSURE RELIEF | 1 |
| 31 | H-7051 | HOSE AIR 1/4 X 10 BL | 1 |
| 32 | D26616 | CORD POWER SJOW 14GA | 1 |
| 33 | 000000-00 | No Longer Available | 1 |
| 33 | D21172 | SCREW .250-20X.500 H | 1 |
| 33 | D20155 | RING REGULATOR HI-FL | 1 |
| 33 | D23947 | PANEL CONSOLE PC RED | 1 |
| 33 | Z-D21924 | GAUGE 2 OD 200PSI 1/ | 1 |
| 33 | SSP-537 | FITTING 90DEG ELBOW | 1 |
| 33 | A13369 | ASSY REGULATOR | 1 |
| 33 | N008792 | REGULATOR RPR KIT | 1 |
| 33 | A19513 | BODY QC .250 IND .25 | 1 |
| 34 | CAC-1206-1 | CLAMP HOSE .250 ID H | 1 |
| 101 | 000000-00 | No Longer Available | 1 |
| 102 | Z-AC-0140 | ASSY ECCENTRIC BEARI | 1 |
| 104 | AC-0108 | FAN 5.75 DIA | 1 |
| 105 | SSF-586 | SCREW .250-20X.750 U | 1 |
| 106 | KK-4835 | KIT CONNECTING ROD L | 1 |
| 107 | KK-4835 | KIT CONNECTING ROD L | 1 |
| 108 | SSG-8156 | ORING 2.759/2.719ID | 1 |
| 109 | Z-AC-0032 | ASSY VALVE PLATE | 1 |
| 110 | ACG-45 | ORING P/L HEAD | 1 |
| 112 | SSF-3158-1 | SCREW #10-24X.750 TH | 1 |
| 113 | SSF-927 | SCREW .250-20X1.125 | 1 |
| 114 | D30144 | KIT CAPACITOR | 1 |
| 856 | 000000-00 | No Longer Available | 1 |
| 856 | 000000-00 | No Longer Available | 1 |

Parts List for CPFFR350 Type 1

| Item Number | Part Number | Description | Qty Required |
|-------------|-------------|----------------------|--------------|
| 856 | 000000-00 | No Longer Available | 1 |
| 856 | N008806 | LABEL HOT SURFACE TR | 1 |
| 856 | K-0650 | KIT COMP RING REPLAC | 1 |
| 856 | KK-4835 | KIT CONNECTING ROD L | 1 |
| 856 | LA-3115 | LABEL | 1 |