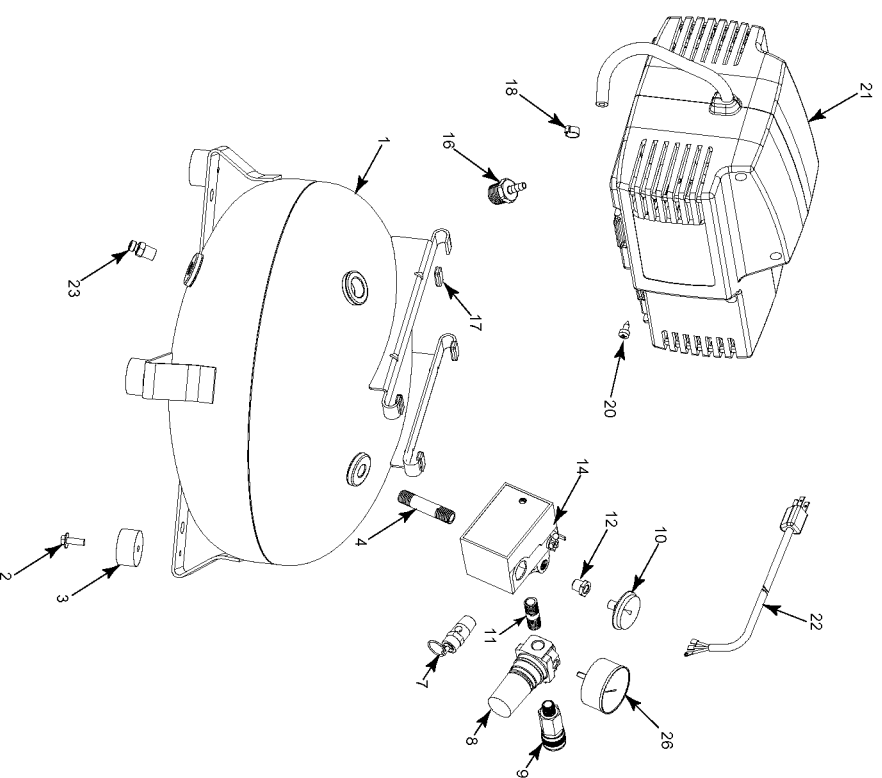
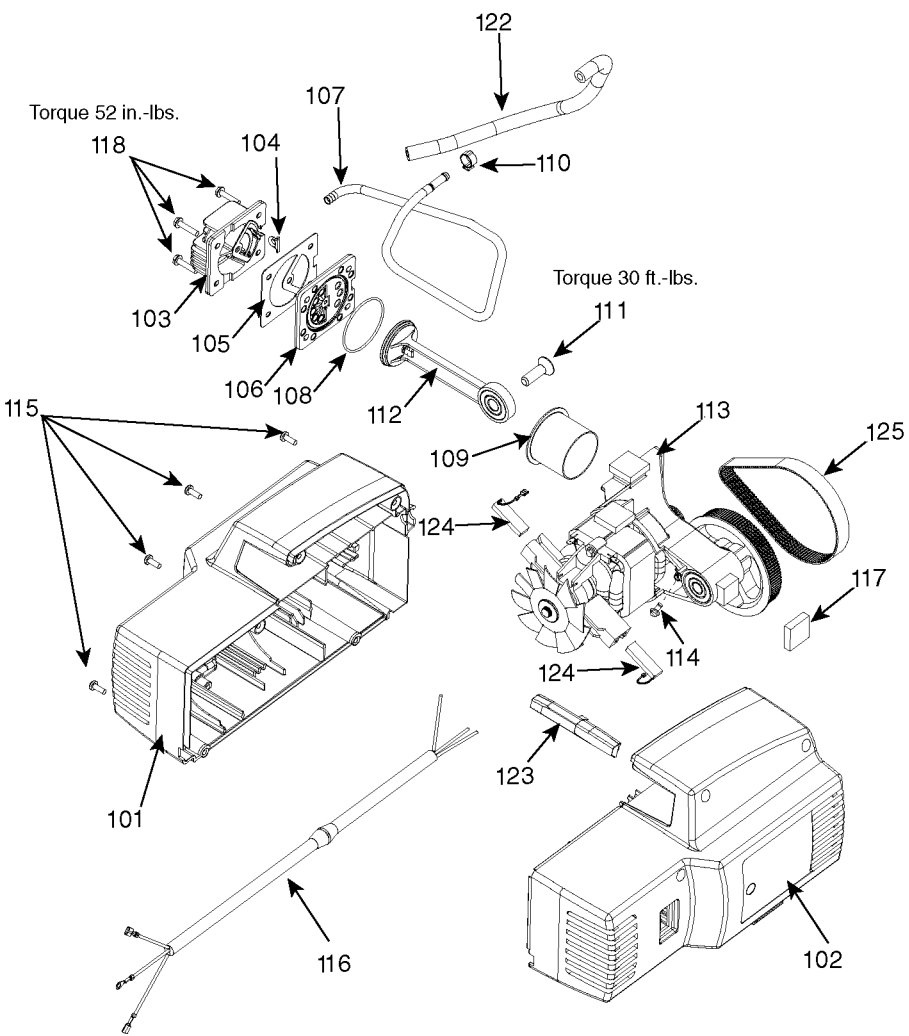


PORTER-CABLE PANCAKE COMPRESSOR

CPFAAC2600P-1

WARNING: Electrical repairs should only be attempted by trained repairmen. Contact the nearest Porter-Cable Service Center or other competent repair center.





Parts List for CPFAC2600P Type 1

| Item Number | Part Number | Description | Qty Required |
|-------------|-------------|----------------------|--------------|
| 1 | 000000-00 | No Longer Available | 1 |
| 2 | 91895680 | SCREW .250-20X.750 H | 2 |
| 3 | D24721 | KIT ISOLATOR W/SCREW | 2 |
| 4 | SSP-480 | NIPPLE 1/4-18 NPT X | 1 |
| 7 | D20114 | VALVE SAFETY 175 .25 | 1 |
| 8 | N008792 | REGULATOR RPR KIT | 1 |
| 8 | D27253 | REGULATOR 4PORT P2 L | 1 |
| 9 | A19513 | BODY QC .250 IND .25 | 1 |
| 10 | Z-D23004 | GAUGE 1.5OD 200PSI . | 1 |
| 11 | N053094 | NIPPLE | 1 |
| 12 | SSP-6021 | BUSHING REDUCER 1/8- | 1 |
| 14 | Z-D25879 | SWITCH PRES 4PORT 12 | 1 |
| 16 | D27022 | VALVE CHECK 1/2NPT X | 1 |
| 17 | CAC-1254 | ISOLATOR PUMP | 4 |
| 18 | CAC-1206-1 | CLAMP HOSE .250 ID H | 1 |
| 20 | SSF-621 | SCREW .250-14X.625 F | 10 |
| 21 | 000000-00 | No Longer Available | 1 |
| 22 | AC-0539 | ASSY CORD POWER | 1 |
| 23 | A17038 | DRAIN VALVE | 1 |
| 26 | Z-D27212 | GAUGE 200PSI .125NPT | 1 |
| 101 | A06436 | SHROUD KIT | 1 |
| 102 | A06436 | SHROUD KIT | 1 |
| 103 | D25877 | HEAD UMC PRESSURE RE | 1 |
| 104 | N044359 | TUBE SEAL | 1 |
| 105 | Z-D24819 | GASKET HEAD UMC GRAP | 1 |
| 106 | N017592SV | VALVE PLATE ASSY | 1 |
| 107 | A12368 | OUTLET TUBE | 1 |

Parts List for CPFAC2600P Type 1

| Item Number | Part Number | Description | Qty Required |
|-------------|-------------|----------------------|--------------|
| 108 | SSG-8169 | ORING 2.132/2.096ID | 1 |
| 109 | N036518 | CON ROD ASSY | 1 |
| 110 | CAC-1206-1 | CLAMP HOSE .250 ID H | 1 |
| 111 | A19123 | SCREW | 1 |
| 112 | N036518 | CON ROD ASSY | 1 |
| 113 | N087118SV | PUMP ASSEMBLY | 1 |
| 114 | SUDL-9-1 | SCREW #8-32X.375/.34 | 2 |
| 115 | SSF-3156 | SCREW #10-9X.500 THD | 4 |
| 116 | 000000-00 | No Longer Available | 1 |
| 117 | D25731 | ISOLATOR PUMP | 4 |
| 118 | SSF-995 | SCREW #10-24X.875 HH | 4 |
| 122 | H-7051 | HOSE AIR 1/4 X 10 BL | 1 |
| 123 | D20492 | HANDLE SUPPORT NON-S | 1 |
| 124 | Z-D23825 | BRUSH MOTOR UMC GSE | 2 |
| 124 | Z-D20041 | BRUSHES UMC LONG LIF | 2 |
| 125 | AC-0815 | BELT TIMING DAYCO | 1 |
| 856 | N008806 | LABEL HOT SURFACE TR | 1 |
| 856 | N008802 | LABEL WARNING | 1 |
| 856 | N008888 | LABEL | 1 |
| 856 | LA-3164 | LABEL | 1 |
| 856 | LA-3092-1 | LABEL WARNING DRAIN | 1 |
| 856 | N008800 | LABEL WARNING FRENCH | 1 |