

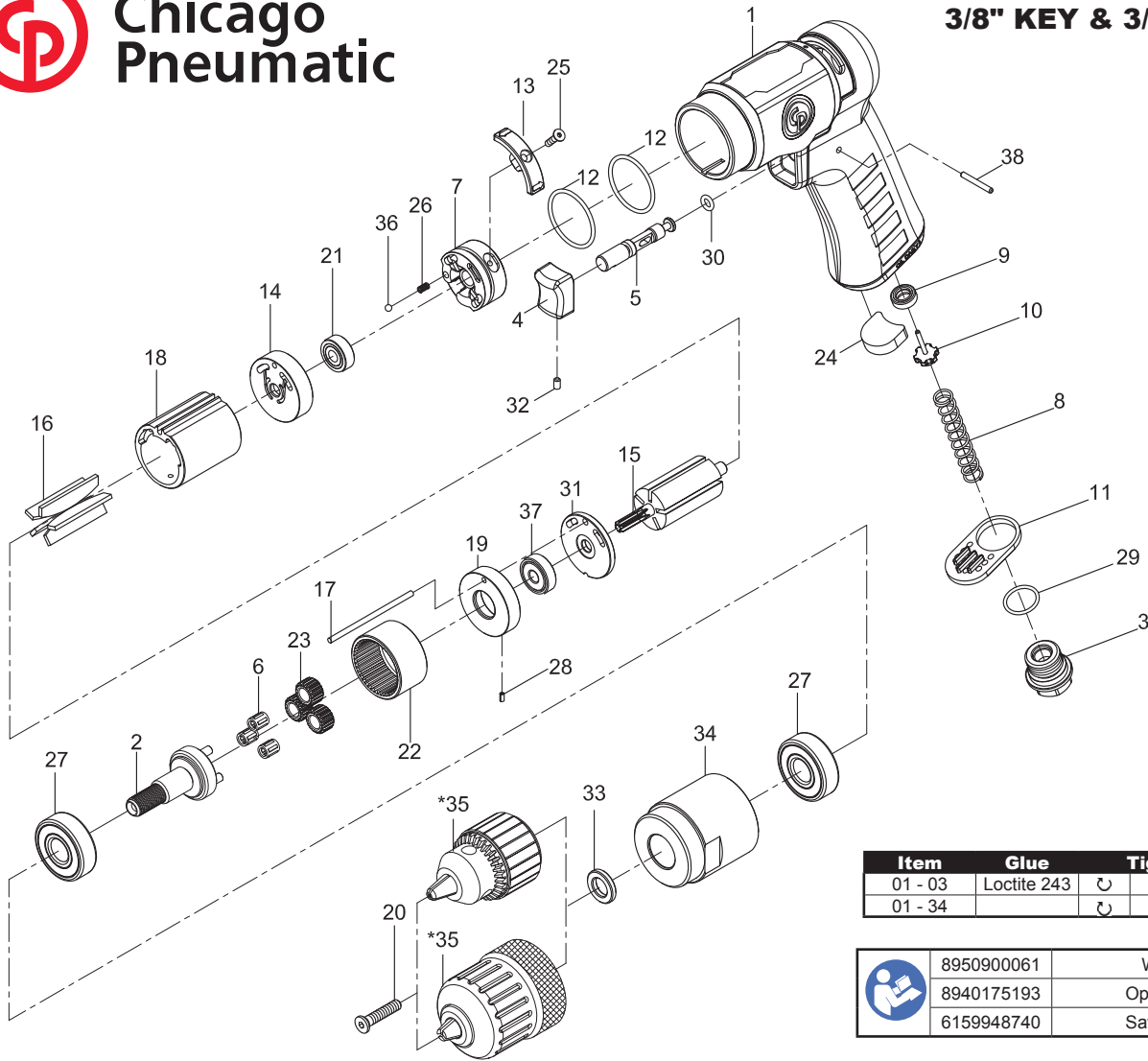


**Chicago
Pneumatic**

CP9790C & CP9792C

3/8" KEY & 3/8" KEY LESS

**DRILL
Serie D**



| Item | Glue | Tightening torque |
|---------|-------------|-------------------|
| 01 - 03 | Loctite 243 | 7.3 ft.lb - 10 Nm |
| 01 - 34 | | 36.9 ft.lb - 50Nm |

| | | |
|--|------------|---------------------|
| | 8950900061 | Warning Label |
| | 8940175193 | Operator's Manual |
| | 6159948740 | Safety Instructions |

| Ref | CP Part No. | Description | Q'ty |
|----------|-------------------|--------------------------|----------|
| A | 8940175265 | Throttle Kit | 1 |
| 8 | | Spring | 1 |
| 9 | | Valve Seal | 1 |
| 10 | | Valve | 1 |
| B | 8940175266 | Inlet Kit | 1 |
| 3 | | Air Inlet | 1 |
| 11 | | Silencer | 1 |
| 29 | | O-Ring | 1 |
| C | 8940175296 | Motor Housing Kit | 1 |
| 1 | 8940175234 | Motor Housing with grip | 1 |
| 4 | | Trigger | 1 |
| 5 | | Valve Stem | 1 |
| 30 | | O-Ring | 1 |
| 32 | | Set Screw | 1 |
| 38 | | Pin | 1 |
| D | 8940175267 | Trigger Kit | 1 |
| | | Include 4,5,30,32,38 | |
| E | 8940175268 | Regulator Kit | 1 |
| 7 | | Distributor | 1 |
| 12 | | O-Ring | 2 |
| 13 | | Reversibility Button | 1 |
| 25 | | Screw | 1 |
| 26 | | Spring | 1 |
| 36 | | Steel Ball (3mm) | 1 |
| F | 8940175269 | Rear End Plate | 1 |
| 14 | | End Plate | 1 |
| 21 | | Ball Bearing (626zz) | 1 |

| Ref | CP Part No. | Description | Q'ty |
|-----------|-------------------|--|----------|
| G | 8940175270 | Front Plate Kit | 1 |
| 17 | | Pin | 1 |
| 19 | | Front End Plate | 1 |
| 28 | | Spring Pin | 1 |
| 31 | | End Plate | 1 |
| 37 | | Ball Bearing (626zz) | 1 |
| H | 8940175271 | Gearbox Kit | 1 |
| 2 | | Work Spindle | 1 |
| 6 | | Needle Bearing | 3 |
| 22 | | Internal Gear | 1 |
| 23 | | Planet Gear | 3 |
| I | 8940175290 | Service Gear Set | |
| | | Include 6(x3) & 23(x3) | |
| SP | 8940175272 | Small Parts Kit | |
| | | Include 3, 11, 13, 17, 20, 24, 26, 28, 32, 33,36 & 38 | |
| TK | 8940175273 | Tune-Up Kit | |
| | | Include 9,12 (x2),16 & 30 | |
| 15 | 2050485903 | Rotor | 1 |
| 16 | 2050485913 | Rotor Blades (Set of 5) | 1 |
| 18 | 2050485933 | Cylinder | 1 |
| 27 | 2050486953 | Ball Bearing (6201Z) | 2 |
| 34 | 2050485443 | Clamp Nut | 1 |
| *35 | 2050486973 | Industrial Key Chuck (3/8") & Key(Not Shown) For CP9790C | 1 |
| | 2050502063 | Industrial Keyless Chuck (3/8") For CP9792C | 1 |

*Optional parts

Recommended Accessories



Protecto-lube Oil (for air lubrication)
CA149661 (4 oz - 0.12 l)
CA000046 (20 oz - 0.59 l)



Airoilene Oil (to clean motor parts)
P089507 (1 gal - 3.8 l)