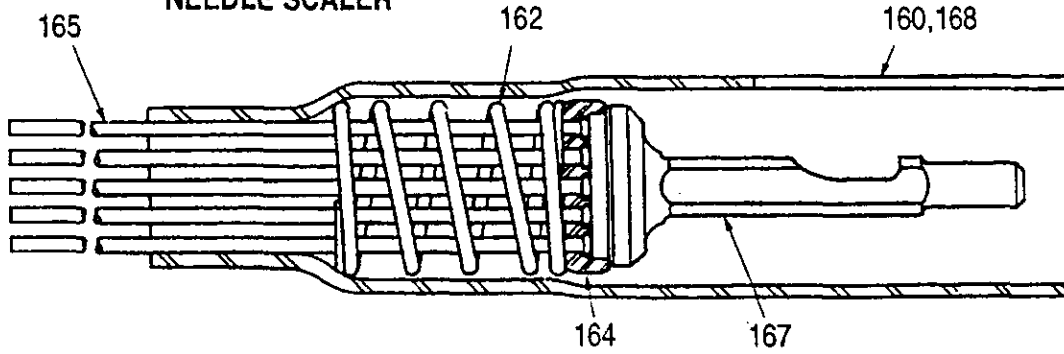


NEEDLE SCALER



Index No.	CP Part No.	Description	No. Req'd	Index No.	CP Part No.	Description	No. Req'd
3	C121535	Spring-Valve	1	71	WP123820	Lock-Retainer	1
5	WP123824	Valve-Throttle	1	72	WP123834	Sleeve-Tool 1/2" Square	1
7	<u>P083076</u>	O-Ring (-077)	1	73	S025326	Key-Sleeve	1
14	475373	Lever-Throttle	1	160	P136738	Housing-Needle	1
15	CA059034	Pin-Roll (1/8" dia x 11/16")	1	162	P136744	Spring-Needle Housing	1
19	WP123826	Plug-Spring	1	164	<u>P136737</u>	Holder-Needle	1
20	WP124755	Gasket	1	165	<u>P100146</u>	Set-Needle (7")(consists of 19 Steel Needles)	1
23	WP123822	Lid-Valve Case	1		<u>P106454</u>	Set-Needle (7")(consists of 19 Stainless Steel Needles)	
24	<u>WP123823</u>	Valve-Disc	1		<u>P106455</u>	Set-Needle (7")(consists of 19 Beryllium Copper Needles)	
26	WP123832	Case-Valve (incl. index No.27)	1	167	P136736	Anvil	1
27	P122967	Pin-Dowel	2	168	P136983	Attachment-Needle Scaler (incl. Index Nos. 160, 162, 164 & P100146)	1
33	WP123829	Head-Cylinder	1			Chisels	Overall Length
34	WP123828	Nut-Cylinder Lock	1				In. (mm)
60	WP123830	Cylinder	1				
	CA144007	Decal-Safety Warning	1				
61	<u>WP123821</u>	Piston	1				
65	WP123831	Sleeve-Cylinder	1		WP123997	Flat Chisel, 5/8" (16mm) face	4 (102)
68	WP123818	Buffer	1		WP123996	Flat Chisel, 5/8" (16mm) face	7.5 (191)
69	WP123819	Retainer-Tool	1		WP123998	Flat Chisel, 1-3/8" (35mm) face	6.5 (165)
70	P084037	Shim (.005)	As Req'd				
	P084038	Shim (.010)					

STATEMENT OF USE

This product is designed for the removal and forming of metal, using a hammer action. No other use permitted.

AIR SUPPLY REQUIREMENTS

- Supply tool with 6.3 bar (91 psig) of clean, dry air. Higher pressure reduces tool life.
- Connect tool to air line using pipe, hose and fitting sizes shown in the diagram.

LUBRICATION

Use an air line lubricator with air tool oil, adjusted to two drops per minute. If an air line lubricator cannot be used, add oil to the inlet once a day.

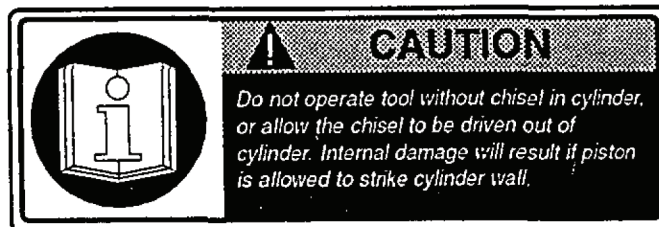
DATA

Maximum Air Pressure Pmax = 6.3 bar
 * Sound Pressure Level (dBA) = 101 ± 2 re CAGI-PNEUROP Test Code
 = 98 (NS) ± 2 re CAGI-PNEUROP Test Code
 For Sound Power Level add 10 (dBA)
 * Vibration Level (m/s²) = 16.7, 10.9 (NS) re ISO 8662-2
 Weight = 1.7, 2.7 (NS) kg

*These declared values were obtained by laboratory type testing in compliance with the stated standards and are not adequate for use in risk assessments. Values measured in individual work places may be higher than the declared values. The actual exposure values and risk of harm experienced by an individual user are unique and depend upon the way the user works, the workpiece and the workstation design, as well as upon the exposure time and the physical condition of the user.

We, Chicago Pneumatic, cannot be held liable for the consequences of using the declared values, instead of values reflecting the actual exposure, in an individual risk assessment in a workplace situation over which we have no control.

OPERATION



MAINTENANCE

- Disassemble and inspect air hammer every three months if the tool is used every day. Replace damaged or worn parts.
- High wear parts are underlined in the parts list.

© Copyright 2000, Desoutter, HP2 7DR. UK.

All rights reserved. Any unauthorized use or copying of the contents or part thereof is prohibited. This applies in particular to trademarks, model denominations, part numbers and drawings. Use only authorized parts. Any damage or malfunction caused by the use of unauthorized parts is not covered by Warranty or Product Liability.