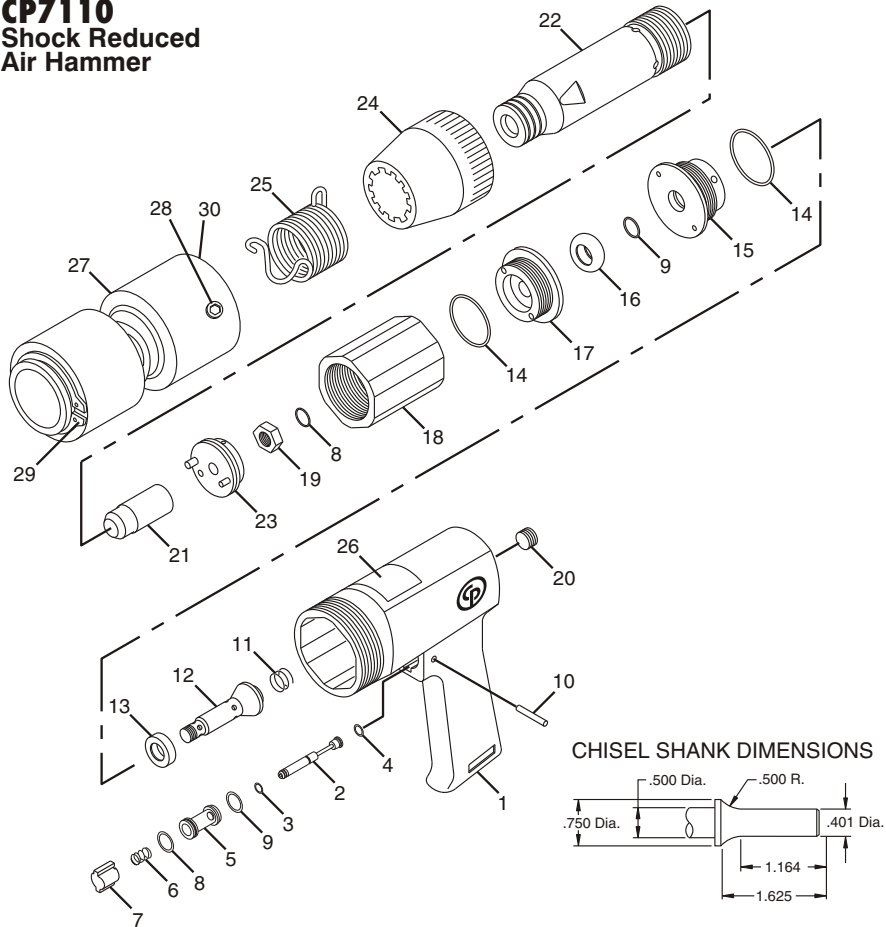


CP7110 Shock Reduced Air Hammer



Index No.	Part No.	Description	No. Req'd.	Index No.	Part No.	Description	No. Req'd.
1	8940158894	Handle	1	18	8940158908	Inner Housing	1
2	8940158895	Stem-Throttle Valve	1	19	8940158909	Lock Nut	1
3	8940158896	O-Ring	1	20	8940158910	Plug Screw (NPT)	1
4	8940158897	O-Ring	1		8940161549	Plug Screw (PT)	1
5	8940158898	Bushing-Valve	1	21	8940158911	Piston	1
6	8940158899	Spring-Valve	1	22	8940158912	Cylinder	1
7	8940158900	Trigger-Throttle	1	23	8940158913	Valve	1
8	CA144843	O-Ring (2)	2	24	8940158914	Exhaust Deflector	1
9	CA146599	O-Ring (2)	2	25	8940158915	Retainer-Spring (standard for CP7110)	1
10	8940158901	Pin-Grooved	1		CA156894	Decal-Warning Safety	1
11	8940158414	Spring	1	26	8940158924	Retainer-Quick Change (standard for CP7110K)	1
12	8940158902	Air Inlet Tube	1			(Incl: 28, 29, 30)	
13	8940158903	Valve Seat	1	28	8940161843	Set Screw	3
14	8940158904	O-Ring (2)	2	29	8940161844	Ext. Retaining Ring	1
15	8940158905	Air Port	1	30	8940161845	Int. Retaining Ring (Not Shown)	1
16	8940158906	Bumper	1				
17	8940158907	Head-Inner Housing	1				