

Item	Bond		Tightening torque	
1 / 42	Loctite 243	⊂	88-95 N.m	65-70 ft.lbs
44 / 32	-	⊂	27-30 N.m	20-22 ft.lbs
82 / 32	Loctite 243	⊂	3-4 N.m	2-3 ft.lbs
115 / 113	Loctite 262	-		
117 / 113	Loctite 243	⊂	2.3-2.8 N.m	1.7-2.1 ft.lbs

Item No.	Part No	Description	Qty.
32	2050562363	Housing-Motor	1
60	C117064	Liner	1
61	C117066	Rotor	1
62	C117056	Blade	6
92	C117061	Coupling	1
96	C117060	Cam-Dog	1
98	C117068	Dog	1
105-H	C117620	Anvil-Square Drive	1
105-L	C117069	Anvil-Spline # 5 (Including Kit: J)	1
120-H	C134694	Ring-Retaining 1" 1/2 Dia 86Mm	1
	2050557643	Label-Warning	1
<b>A</b>	<b>2050563053</b>	<b>Air Inlet Kit</b>	
1		Throttle Cap	1
2		Screen	1
<b>B</b>	<b>6153990580</b>	<b>Throttle Valve Kit</b>	
3		Throttle Spring	1
4		Retainer-O Ring	1
5		Valve-Throttle	1
7		O-Ring	1
<b>C</b>	<b>6153990590</b>	<b>Trigger Kit</b>	
14-IT		Trigger-Inside	1
14-OT		Trigger-Outside	1
15		Pin	1
16		Pin-Roll	1
17		Cover-Trigger Slot	1
<b>D</b>	<b>6153990600</b>	<b>Rear Handle Kit</b>	
41		Gasket	1
42		Handle-Rear	1
44		Screw	4
46		Lock Washer	4
<b>E</b>	<b>6153990610</b>	<b>Reverse Valve Kit</b>	
24		O-Ring	1
25		Valve-Reverse	1
27		Lever-Reverse Valve	1
28		Pin-Roll	1
<b>F</b>	<b>6153990620</b>	<b>Exhaust Kit</b>	
81		Muffler	1
82		Screw	4
85		Plate-Exhaust	1
<b>G</b>	<b>6153990630</b>	<b>Rear Endplate Ass'Y</b>	
54	C075812	Bearing-Ball	1
58		Plate-Upper End	1
64		Pin-Dowel	1
<b>H</b>	<b>6153990640</b>	<b>Front Endplate Ass'Y</b>	
64		Pin-Dowel	1
65		Plate-Lower End	1
67	C117047	Bearing-Ball	1

Item No.	Part No	Description	Qty.
<b>I</b>	<b>6153990650</b>	<b>Timing Shaft Kit</b>	
70	C117055	Washer	1
94		Ball-Steel	1
101	C117051	Seat-Spring	1
102	C117054	Spring	1
103	C117067	Shaft-Timing	1
<b>J</b>	<b>2050563143</b>	<b>Socket Retainer Kit (Spline #5)</b>	
106-L		Plunger	1
107-L		Button-Lock	1
109-L		Spring	1
110-L		Spring	1
<b>K</b>	<b>6153990660</b>	<b>Clutch Housing Ass'Y</b>	
113		Housing-Clutch	1
114	2050563313	Bushing	1
115		Seal- Grease	1
117		Plug-Pipe	1
118		Gasket	1
44	S062777	Screw	4
46	2050557513	Lock Washer	4
<b>L</b>	<b>6153990670</b>	<b>Side Handle Kit</b>	
150		Handle-Support	1
151		Spacer-Band	1
152		Screw	4
153		Lock Washer	4
<b>M</b>	<b>6153990680</b>	<b>Nameplate Kit</b>	
200		Nameplate	1
202		Screw-Drive	4
<b>N</b>	<b>6153990690</b>	<b>Gasket Kit</b>	
41		Gasket	1
118		Gasket	1
<b>O</b>	<b>2050563193</b>	<b>Screws Kit</b>	
44		Screw	8
46		Lock Washer	8
152		Screw	4
153		Lock Washer	4
<b>P</b>	<b>6153990700</b>	<b>Small Parts Kit</b>	
15		Pin	1
16		Pin-Roll	1
17		Cover-Trigger Slot	1
28		Pin-Roll	1
64		Pin-Dowel	1
117		Plug-Pipe	1

<b>6153990710 TUNE UP KIT</b>
Incl. item Nos. 2, 7, 24, 41, 46, 62, 81, 115, 118

	2050563243	Operator'S Manual
	6159948710	Safety Instructions

**Recommended accessories**



**Pneu-lube Clutch Grease**  
(for clutch lubrication)  
8940158455 (3.5 oz. - 100g)  
8940158456 (14 oz. - 400g)



**Protecto-lube Oil**  
(to clean motor parts)  
CA149661 (4 oz - 0.12 l)  
CA000046 (20 oz - 0.59 l)



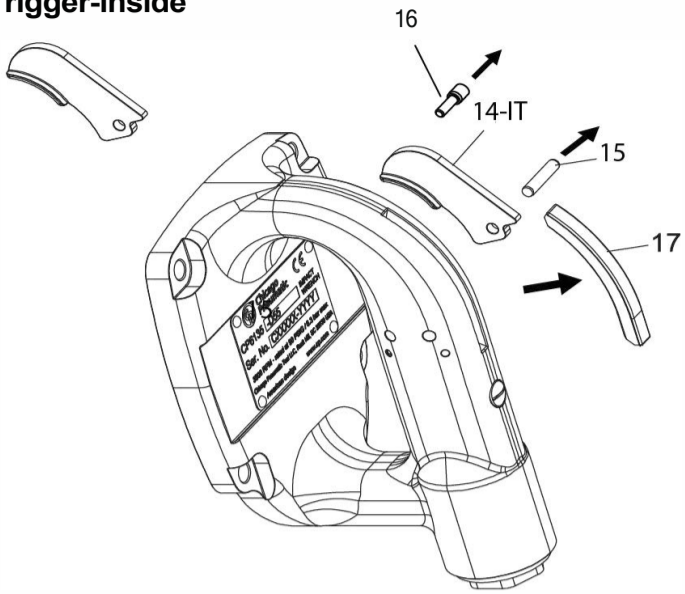
**Airoilene Oil**  
(for air lubrication)  
P089507 (1 gal - 3.8 l)



**Retaining Rings**  
C134693 2-7/8" - 73mm  
C134694 3-3/8" - 86mm  
C134695 3-7/8" - 98mm  
C134696 4-3/8" - 111mm

# Trigger Replacement Instructions

Trigger-Inside



Trigger -Outside

