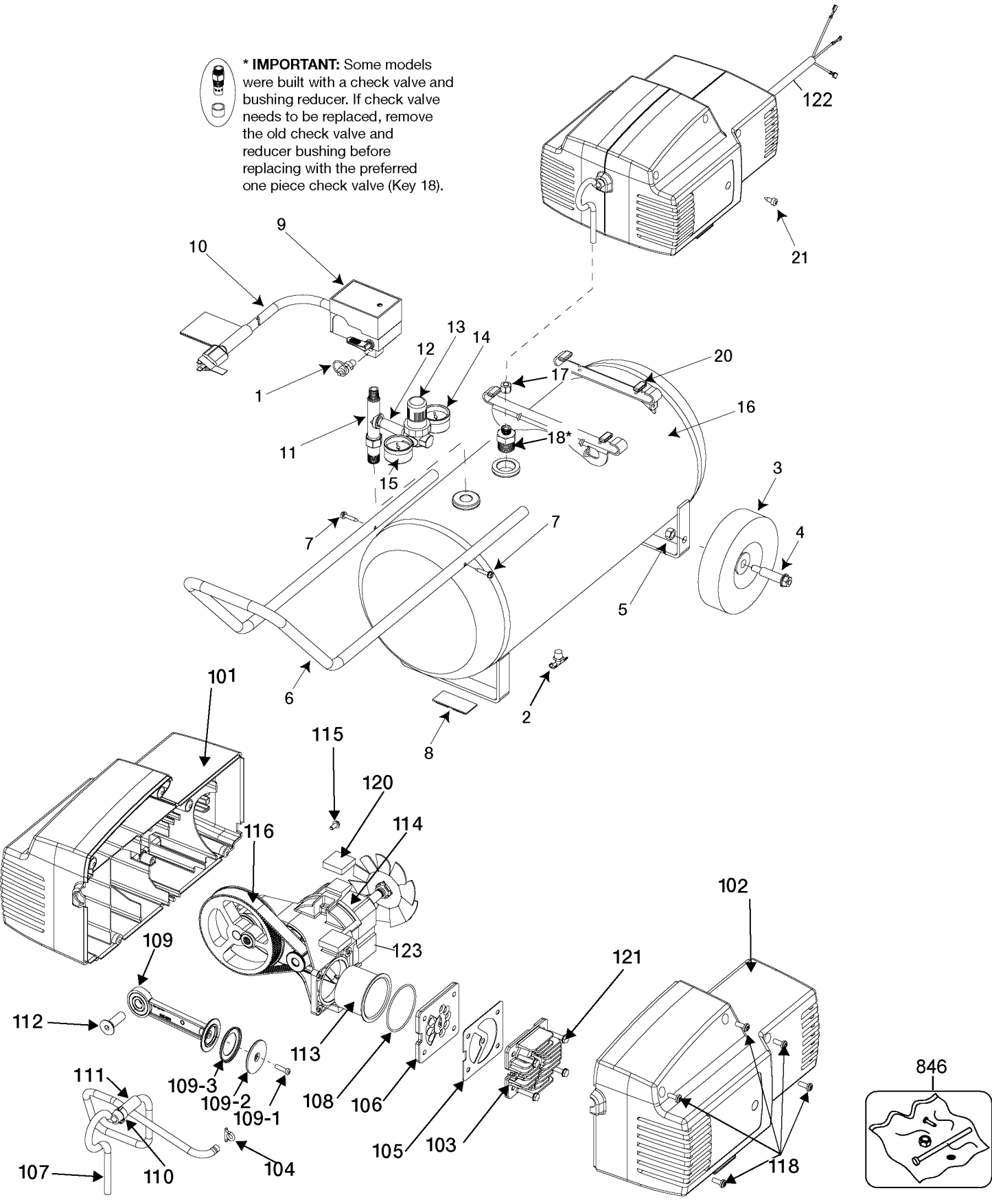




*** IMPORTANT:** Some models were built with a check valve and bushing reducer. If check valve needs to be replaced, remove the old check valve and reducer bushing before replacing with the preferred one piece check valve (Key 18).



Parts List for CP503 Type 1

| Item Number | Part Number | Description | Qty Required |
|-------------|-------------|----------------------|--------------|
| 1 | TIA-4150 | VALVE SAFETY 150 .25 | 1 |
| 2 | A17038 | DRAIN VALVE | 1 |
| 3 | D23138 | WHEEL 9 BLACK SEMI-P | 2 |
| 4 | CAC-60 | BOLT .375-16X2.25 UN | 2 |
| 5 | SSF-8080-ZN | NUT .375-16 UNC-2B H | 2 |
| 6 | 000000-00 | No Longer Available | 1 |
| 7 | 000000-00 | No Longer Available | 2 |
| 8 | AC-0364 | FOOT MOLDED BUMPER | 1 |
| 9 | 5140117-70 | PRESSURE SWITCH | 1 |
| 10 | D26615 | CORD POWER ST 14GA 1 | 1 |
| 11 | D28999 | STANDPIPE 1/4 NPT X | 1 |
| 12 | D24888 | NIPPLE .25NPT X 2.5 | 1 |
| 13 | N008792 | REGULATOR RPR KIT | 1 |
| 13 | D27256 | REGULATOR 4PORT P1P2 | 1 |
| 14 | Z-AC-0009-1 | GAUGE RIGHT HAND | 1 |
| 15 | Z-AC-0010-1 | GAUGE LEFT HAND | 1 |
| 16 | 000000-00 | No Longer Available | 1 |
| 17 | SSP-473 | ASSY NUT SLEEVE 5/16 | 1 |
| 18 | A19716 | CHECK VALVE | 1 |
| 20 | CAC-1254 | ISOLATOR PUMP | 4 |
| 21 | SSF-621 | SCREW .250-14X.625 F | 2 |
| 101 | A06436 | SHROUD KIT | 1 |
| 102 | A06436 | SHROUD KIT | 1 |
| 103 | CAC-1196 | HEAD UMC | 1 |
| 104 | N044359 | TUBE SEAL | 1 |
| 105 | Z-D24819 | GASKET HEAD UMC GRAP | 1 |
| 106 | N017592SV | VALVE PLATE ASSY | 1 |

Parts List for CP503 Type 1

| Item Number | Part Number | Description | Qty Required |
|-------------|-------------|----------------------|--------------|
| 107 | D27586 | TUBE OUTLET .3125OD | 1 |
| 108 | SSG-8169 | ORING 2.132/2.096ID | 1 |
| 109 | N036518 | CON ROD ASSY | 1 |
| 109 | 000000-00 | No Longer Available | 1 |
| 109 | D21127 | SCREW #10-24X.563 PA | 1 |
| 109 | 000000-00 | No Longer Available | 1 |
| 109 | 000000-00 | No Longer Available | 1 |
| 110 | CAC-1206-1 | CLAMP HOSE .250 ID H | 1 |
| 111 | 000000-00 | No Longer Available | 1 |
| 111 | AC-0206 | TUBE ISOLATOR | 1 |
| 112 | A19123 | SCREW | 1 |
| 113 | 000000-00 | No Longer Available | 1 |
| 114 | N102531 | PUMP KIT | 1 |
| 114 | N102531 | PUMP KIT | 1 |
| 114 | D24595 | FAN UMC MOTOR 8MM PL | 1 |
| 115 | SUDL-9-1 | SCREW #8-32X.375/.34 | 1 |
| 116 | AC-0815 | BELT TIMING DAYCO | 1 |
| 118 | SSF-3156 | SCREW #10-9X.500 THD | 1 |
| 120 | D25731 | ISOLATOR PUMP | 1 |
| 121 | SSF-995 | SCREW #10-24X.875 HH | 1 |
| 122 | A00765 | CORD ASSY UMC 15G 25 | 1 |
| 123 | Z-A02125 | BRUSH MOTOR 3HP UMC | 1 |
| 123 | Z-D23825 | BRUSH MOTOR UMC GSE | 1 |
| 846 | N036517 | CYLINDER KIT | 1 |
| 846 | KK-4929 | KIT FASTENER | 1 |
| 856 | N096857 | SHROUD KIT | 1 |