

Item	CP Part No.	Description	Q'ty
A	6153951310	Air Inlet Kit	
1		Inlet With Screen	1
2		O-Ring	1
B	6153101200	Throttle Handle Ass'y	
3	6156812220	Spring	1
5	6151431930	Valve Seat	1
8		Valve Bushing	1
11	6156102780	Screw (Set of 4) (4 Mm Hex Key)	2
12		Throttle Handle	1
13		O-Ring	1
C	8940173447	Safety Lever Kit	
9		Spring Pin	1
10		Lever Ass'y	1
D	6153900710	Side Handle Ass'y	
11	6156102780	Screw (Set of 4) (4 Mm Hex Key)	2
14		Side Handle	1
15	6156701620	Handle Plug	1
E	6155657630	Motor Cover Kit	
17		Rubber Seal	1
32		Gasket	1
33		Ball Seat	1
34		Cover	1
35	6156102800	Screw (Set of 4) (5mm Hex Key)	1
F	6155657650	Motor Housing Kit	
16		Motor Housing	1
17		Oil Seal	1
19		O-Ring	1
G	6155042400	6" Guard Top Kit (SALAVET)	
37		Guard 6"	1
38	6156102790	Screw (Set of 4) (5mm Hex Key)	1
H	6155042410	6" Guard Bottom Kit (SALAVET)	
39		Protector 6"	1
40		Bolt	4
41		Washer	4
42		Nut	4
I	6155042340	7" Guard Kit (SALAVAD & SALAVAL)	
38	6156102790	Screw (Set of 4) (5mm Hex Key)	1
45		Guard 7"	1
J	6155042350	9" Guard Kit (SALAVEL & SALAVELE)	
38	6156102790	Screw (Set of 4) (5mm Hex Key)	1
46		Guard 9"	1

Item	CP Part No.	Description	Q'ty
K	6155483070	Type 6 And 11 Wheel Retention Kit (SALAVET)	
43		Cover	1
44		Safety Screw (5/32" Hex Key : #54)	1
L	6155483080	Type 27 and 42 wheel retention kit (SALAVAD & SALAVEL)	
47		Hub (Spanner - 24 mm : #51)	1
49		Front flange (Pin wrench 32mm / Ø3 : #53)	1
50	6156102750	Safety screw (5/32" Hex Key : #50)	1
M	6153996010	Type 27 and 42 wheel retention kit (SALAVADE & SALAVELE)	
48		Rear flange (Spanner - 26 mm : #52)	1
49		Front flange (Pin wrench 32mm / Ø3 : #53)	1
50	6156102750	Safety screw (5/32" Hex Key : #54)	1
N	6153994130	Tune Up Kit (Included : 2, 7, 13, 17, 19, 18, 27 & 32)	

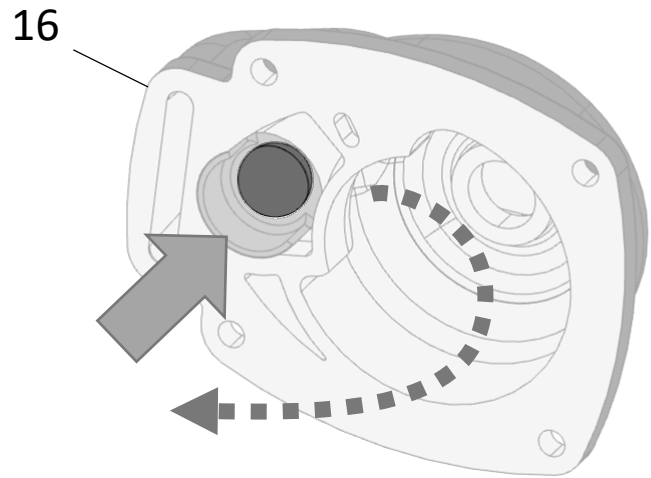
4	6151431830	Ball Valve	1
6	6151431850	Valve Stem (Incl. #7)	1
20	6156401230	Wave Washer	1
21	8940167993	Front Bearing	1
22	6154201780	Front End Plate	1
23	6154001790	Cylinder (Incl. #28)	1
25	6154321060	Spacer	1
26	6154270090	Rotor (Hex Key - 5/16" : #56)	1
27	6154340740	Blade (Set of 5)	1
28	6156701720	Rotor Plug (Set of 5)	1
29	6154201770	Rear End Plate	1
30	6157530990	Rear Bearing	1
31	6154570690	Governor Ass'y 6000RPM (SALAVET, SALAVEL & SALAVELE)	1
	6154570730	Governor Ass'y 8500RPM (SALAVAD & SALAVADE)	1
36	6156701750	Nut (Spanner - 51mm : #36)	1
51	2050534043	Spanner - 24 mm (for #47)	1
52	8940158353	Spanner - 26 mm (for #48)	1
53	8950290147	Pin wrench 32mm / Ø3 (for #49)	1
54	6158020740	Hex key - 5/32" (for #44 & 50)	1
55	6158020720	Spanner - 51mm (for #36)	1
56	6158020730	Hex key - 5/16" (for #26)	1
Not shown	2050500263	Hex key - 4 mm (for item 11)	1
Not shown	8951011470	Hex key - 5 mm (for item 35 & 38)	1



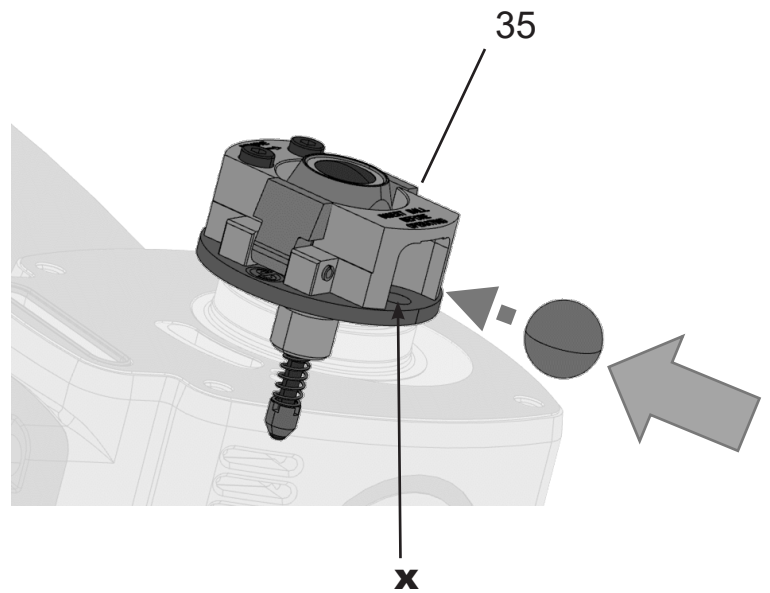
8950900063	Warning Label
6159923970	Operator's manual
6159948760	Safety Instructions

Reinstating the overspeed shut-off device

- Push the ball out of the seat from the bottom to retrieve it from the cover.



- Push the ball into the governor (in the space between the cage and the disc).
The ball should seat in the hole of the disc (X on the picture).



**The tool shall never be started without the ball locked in the disc groove.
The tool shall never be started without the proper governor (35) fastened to the rotor (30).**