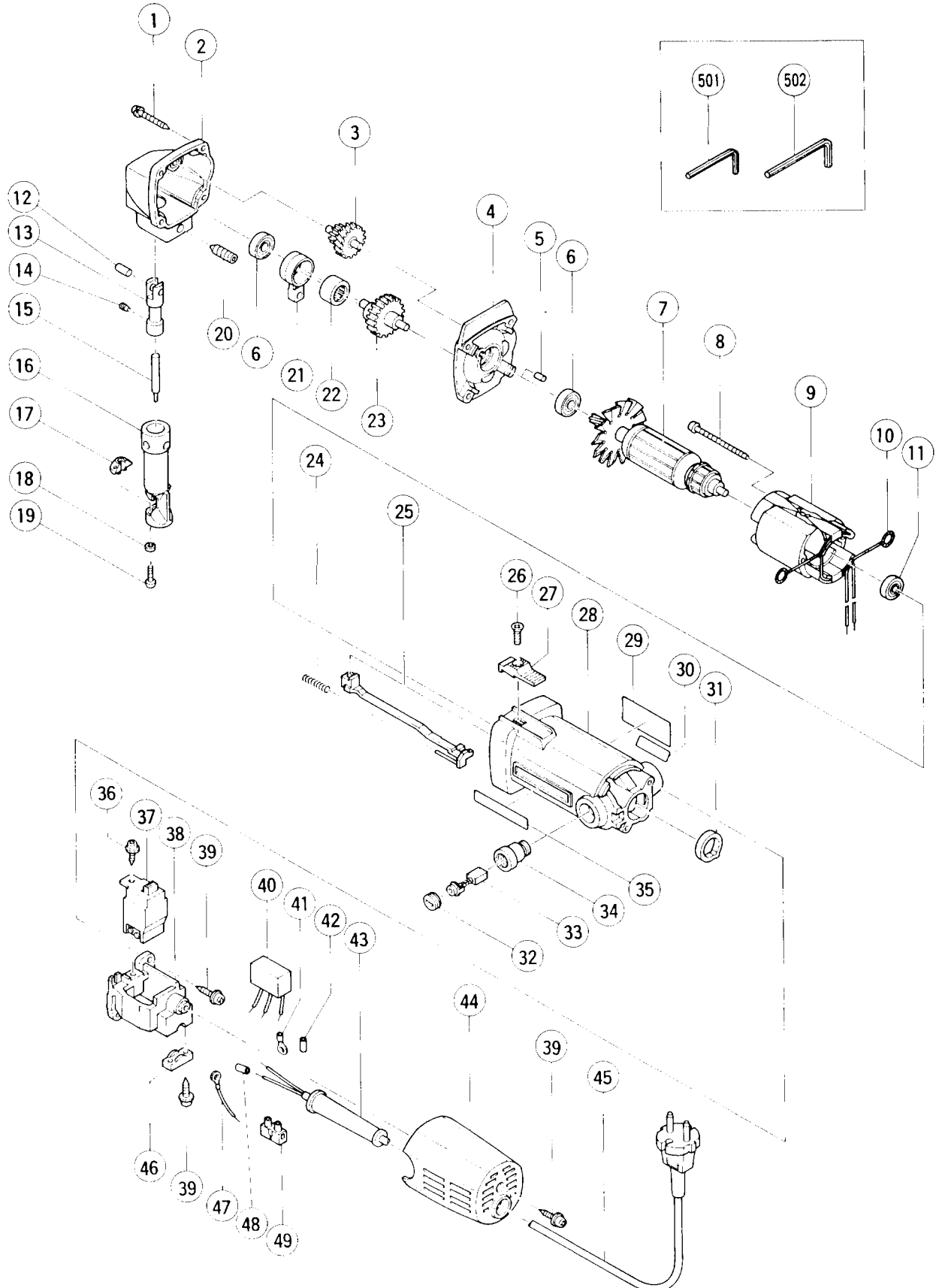


ELECTRIC TOOL PARTS LIST**1.6mm NIBBLER**

1987·3·10

Model CN16**CN16(E1)**

PARTS

CN16(E1)

Item No.	Code No.	Part Name	Q'ty	Remarks
1	986011	Tapping Screw D5 x 30	4	W/Spring Lock Washer
2	998033	Gear Cover	1	
3	998036	Second Pinion Gear	1	
4	998032	Inner Cover	1	
5	931701	Bearing Lock	1	
6	939385	Ball Bearing (608VVC2 PS2-L)	2	
7	—	Armature	1	See alternative parts
8	954642	Tapping Screw D4 x 60	2	
9	—	Stator Ass'y	1	See alternative parts
10	930630	Brush Terminal	2	
11	939496	Ball Bearing (626VVC2 PS2-L)	1	
12	993546	Pin D6	1	
13	998034	Piston	1	
14	998037	Hexagon Socket Hd. Set Screw M5 x 6	1	
15	998030	Punch	1	
16	998038	Die Holder	1	
17	998031	Die	1	
18	949451	Spring Lock Washer	2	for M3 (10 pcs.)
19	949206	Machine Screw M3 x 14	2	(10 pcs.)
20	998008	Hexagon Socket Hd. Screw M8 x 20	1	
21	998004	Connecting Rod Ass'y	1	includ. 22
22	993163	Needle Bearing (M152112)	1	
23	998035	Spindle	1	
24	938299	Spring	1	
25	982033	Slide Bar	1	
26	949323	Flat Hd. Screw M4 x 12	1	(10 pcs.)
27	938312	Slide Switch Knob (B)	1	
28	982020	Housing Ass'y	1	includ. 34
29	—	Name Plate	1	
30	—	Label	1	See alternative parts
31	982023	Bearing Bushing	1	
32	937847	Brush Cap	2	
33	999021	Carbon Brush	2	(2 pcs.)
34	937846	Brush Holder	2	
35	957561	HITACHI Label	1	
36	982034	Tapping Screw D4 x 12	1	W/Washer
37	980778	Slide Switch	1	
38	—	Switch Holder	1	See alternative parts
39	984750	Tapping Screw D4 x 16	5	W/Flange
40	—	Noise Suppressor	1	See alternative parts
41	—	Terminal	1	See alternative parts
42	—	Tube (D)	2	See alternative parts
43	—	Cord Armor	1	See alternative parts
44	982035	Tail Cover	1	
45	—	Cord	1	See alternative parts
46	960266	Cord Clip	1	
47	—	Internal Wire	1	See alternative parts
48	—	Tube (D)	2	See alternative parts
49	—	Pillar Terminal (B)	1	See alternative parts

ALTERNATIVE PARTS

CN16(E1)

Item No.	Code No.	Part Name	Q'ty	Remarks
7	360098C	Armature 110V ~ 115V	1	
	360098D	Armature 120V ~ 127V	1	
	360098E	Armature 220V ~ 230V	1	
	360098F	Armature 240V	1	
	360098J	Armature 110V	1	for U.K.
	360098G	Armature 220V ~ 230V	1	for S. Africa, Italy, France, Netherlands, Denmark, Finland, Sweden, Austria, Norway
	360098H	Armature 240V	1	for U.K.
9	340127C	Stator Ass'y 110V ~ 115V	1	includ. 10
	340127D	Stator Ass'y 120V ~ 127V	1	includ. 10
	340127E	Stator Ass'y 220V ~ 230V	1	includ. 10
	340127F	Stator Ass'y 240V	1	includ. 10
	340127J	Stator Ass'y 110V	1	for U.K. includ. 10
	340127G	Stator Ass'y 220V ~ 230V	1	for S. Africa, Italy, France, Netherlands, Denmark, Sweden, Austria, Norway includ. 10
	340127K	Stator Ass'y 220V ~ 230V	1	for N.Z., F.R. Germany, Switzerland includ. 10
	340127H	Stator Ass'y 240V	1	for U.K. includ. 10
30	—	Label	1	for France
38	982044	Switch Holder	1	
	982045Z	Switch Holder	1	for Switzerland
40	991312	Noise Suppressor	1	
	971828	Noise Suppressor	1	for Italy, Denmark
	982043Z	Noise Suppressor	1	for Switzerland
41	980063	Terminal	1	
	959144	Terminal (50051)	1	for Switzerland (10 pcs.)
42	981373	Tube (D)	2	for Noise Suppressor
43	953327	Cord Armor D8.8	1	
	938051	Cord Armor D10.1	1	
45	500201Z	Cord 110V ~ 240V	1	(Cord Armor D10.1)
	500409Z	Cord 110V ~ 220V	1	for Indonesia, Surinam, Finland (Cord Armor D8.8)
	500245Z	Cord 110V ~ 220V	1	for Syria (Cord Armor D10.1)
	971675Z	Cord 110V ~ 240V	1	for U.K., S. Africa (Cord Armor D8.8)
	500240Z	Cord 115V	1	for U.S.A., Canada (Cord Armor D8.8)
	500247Z	Cord 220V	1	for Italy, F.R. Germany, France, Netherlands, Denmark, Sweden, Austria, Norway (Cord Armor D10.1)
	500248Z	Cord 220V	1	for Switzerland (Cord Armor D10.1)
	500226Z	Cord 230V	1	for N.Z. (Cord Armor D8.8)
	500223Z	Cord 230V ~ 240V	1	for Singapore, Kuwait (Cord Armor D10.1)
	971674Z	Cord 240V	1	for Papua New Guinea (Cord Armor D8.8)
	500405Z	Cord 240V	1	for Australia (Cord Armor D8.8)
47	982303	Internal Wire	1	
48	981373	Tube (D)	2	for Cord
49	982805Z	Pillar Terminal (B)	1	

