

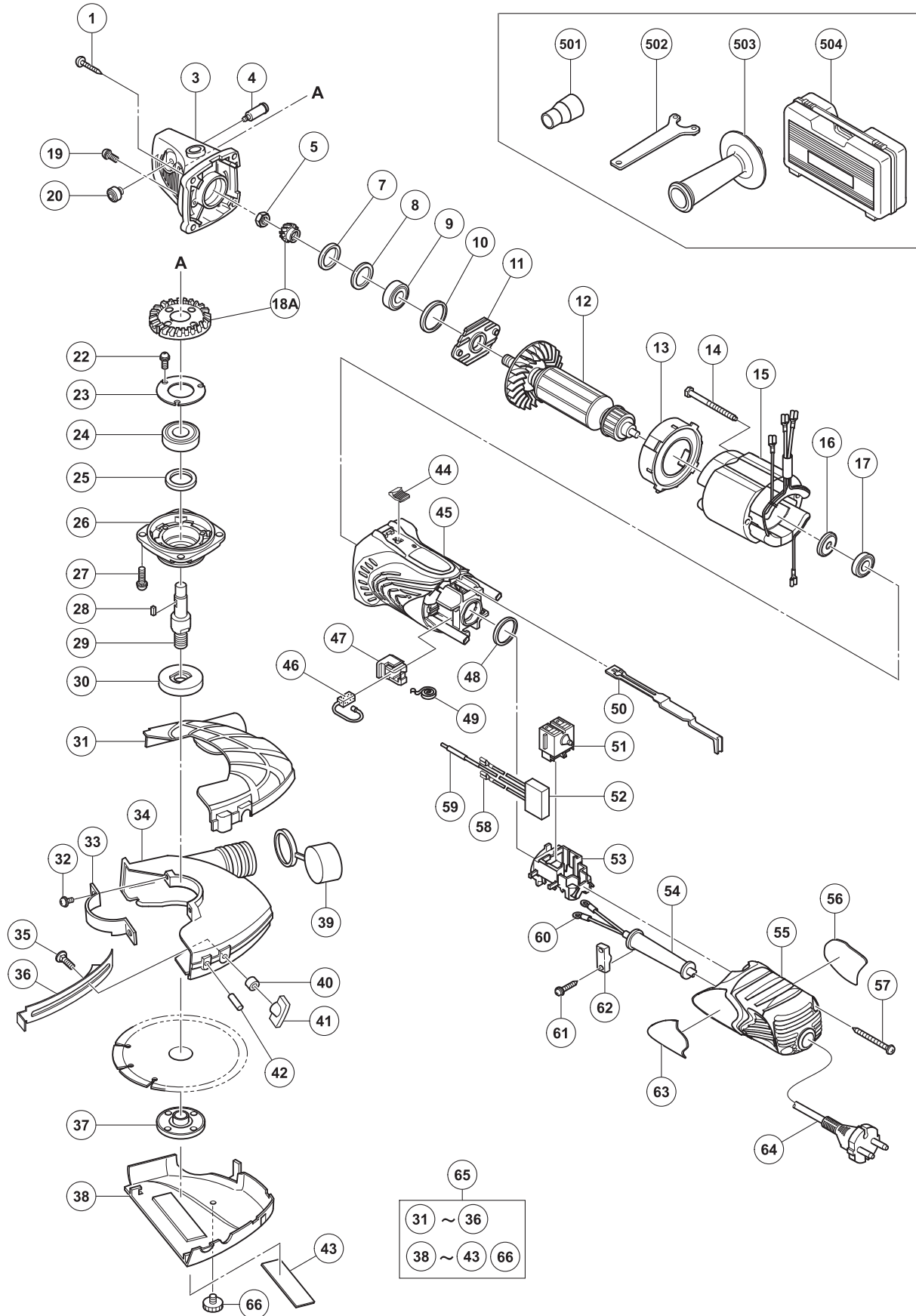
## ELECTRIC TOOL PARTS LIST

■ CUTTER

2007·12·12

Model CM 5SB

(E2)



**PARTS**

CM 5SB

ITEM NO.	CODE NO.	DESCRIPTION	NO. USED	REMARKS	
1	320-523	TAPPING SCREW D5X25 (BLACK)	4		
3	321-737	GEAR COVER ASS'Y	1	INCLUD. 4, 20	
4	301-943	LOCK PIN	1		
5	949-558	NUT M8 (10 PCS.)	1		
7	308-543	SEAL RING (A)	1		
8	980-866	WASHER (C)	1		
9	629-T12	BALL BEARING 629T12DDC3PS2-L	1		
10	321-733	RUBBER RING	1		
11	321-734	BEARING COVER	1		
*	12	360-734C	ARMATURE 110V	1	
*	12	360-734U	ARMATURE ASS'Y 120V	1	INCLUD. 9, 16, 17
*	12	360-734E	ARMATURE 230V-240V	1	
	13	321-732	FAN GUIDE	1	
	14	982-021	HEX. HD. TAPPING SCREW D4X70	2	
*	15	340-645C	STATOR 110V	1	
*	15	340-645D	STATOR 120V	1	
*	15	340-645E	STATOR 230V	1	
	16	315-877	DUST SEAL	1	
	17	608-VVM	BALL BEARING 608VVC2PS2L	1	
	18A	329-054	GEAR AND PINION SET	1	
	19	303-255	SEAL LOCK SCREW (W/SP. WASHER) M4X10	2	
	20	301-944	PUSHING BUTTON	1	
	22	991-207	SEAL LOCK SCREW (W/SP. WASHER) M4X8	3	
	23	936-680	BEARING COVER (B)	1	
	24	620-1DD	BALL BEARING 6201DDCMPS2L	1	
	25	308-546	FELT PACKING	1	
	26	308-545	PACKING GLAND	1	
	27	307-046	SEAL LOCK SCREW (W/SP. WASHER) M5X16	4	
	28	944-109	FEATHER KEY 3X3X8	1	
*	29	994-301	SPINDLE (A)	1	
*	29	994-302	SPINDLE (B)	1	FOR USA, CAN
*	30	937-817Z	WHEEL WASHER	1	
*	30	319-373	WHEEL WASHER	1	FOR USA, CAN
	31	328-743	COVER (B)	1	
	32	308-386	MACHINE SCREW (W/SP. WASHER) M5X16 (BLACK)	2	
	33	301-949	SET PLATE	1	
	34	328-741	DUST COLLECTOR COVER (A)	1	
	35	942-808	BOLT (SQUARE) M6X20	1	
	36	328-809	SLIDE GUIDE (A)	1	
*	37	994-324	WHEEL NUT M14	1	
*	37	937-923P	WHEEL NUT 5/8"-11 UNC	1	FOR USA, CAN
	38	328-742	COVER (A)	1	
	39	324-865	DUST CAP	1	
	40	328-841	SLEEVE	1	
	41	314-622	WING NUT M6	1	
	42	949-785	ROLL PIN D6X16 (10 PCS.)	1	
	43	328-922	HITACHI PLATE	1	FOR DUST COLLECTION ADAPTER ASS'Y
	44	314-428	SLIDE KNOB	1	
	45	325-050	HOUSING	1	
	46	999-088	CARBON BRUSH (1 PAIR)	2	



