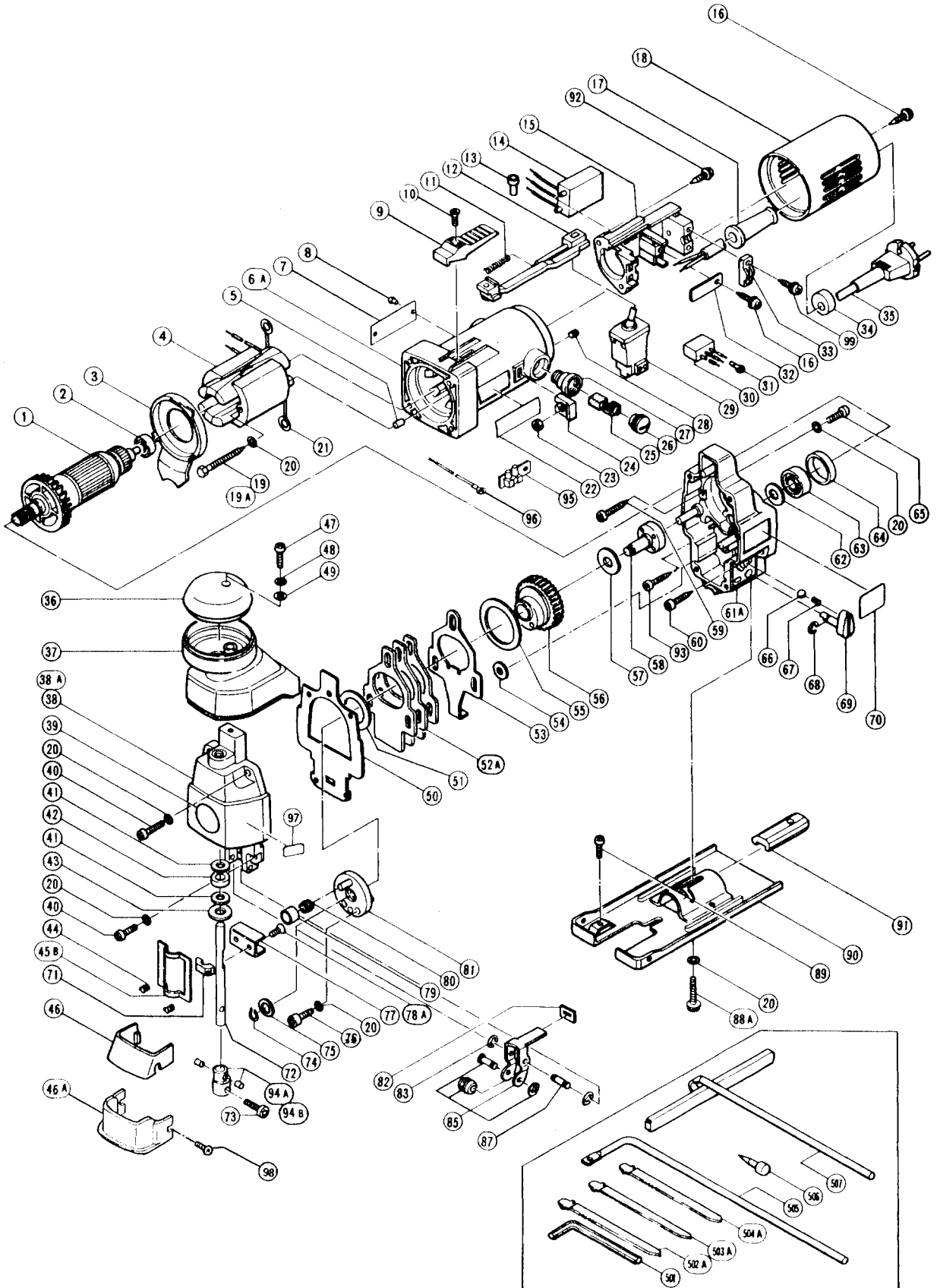


ELECTRIC TOOL PARTS LIST

■ **JIG SAW**
Model CJ 65VA

1990 · 11 · 20
(E5)



PARTS

CJ 65VA

ITEM NO.	CODE NO.	DESCRIPTION	NO. USED	REMARKS	
*	1	963-638U	ARMATURE ASS'Y 110V - 115V	1	INCLUD.2,63
*	1	963-638D	ARMATURE 120V - 127V	1	
*	1	963-638G	ARMATURE 220V - 230V	1	
*	1	963-638H	ARMATURE 240V	1	
*	1	963-638J	ARMATURE 110V	1	FOR GBR
	2	608-VVM	BALL BEARING 608VVMC2EPS2L	1	
	3	963-374	FAN GUIDE	1	
*	4	963-637C	STATOR ASS'Y 110V - 115V	1	INCLUD.21
*	4	963-637D	STATOR ASS'Y 120V - 127V	1	INCLUD.21
*	4	963-637E	STATOR ASS'Y 220V - 230V	1	INCLUD.21
*	4	963-637F	STATOR ASS'Y 240V	1	INCLUD.21
*	4	963-637G	STATOR ASS'Y 220V - 230V	1	INCLUD.21 FOR NZL,DEN,NOR,ESP
*	4	963-643G	STATOR ASS'Y 220V	1	INCLUD.21 FOR SWE,SAF,FRG,FIN,AUT,ITA, HOL
*	4	963-643H	STATOR ASS'Y 240V	1	INCLUD.21 FOR GBR
*	4	963-643J	STATOR ASS'Y 110V	1	INCLUD.21 FOR GBR
	5	931-701	BEARING LOCK	1	TILL 2.1987
	6A	963-657	HOUSING ASS'Y	1	INCLUD.19A,27,28
	7		NAME PLATE	1	
*	8	932-642	RIVET D2.5X2.8	2	FOR USA,CAN
	9	938-312	SLIDE KNOB (B)	1	
	10	949-323	FLAT HD. SCREW M4X12 (10 PCS.)	1	
	11	963-632	SPRING (B)	1	
	12	963-631	SLIDE BAR	1	
*	13	959-140	CONNECTOR 50091 (10 PCS.)	1	
*	13	959-140	CONNECTOR 50091 (10 PCS.)	2	FOR NZL,GBR,SAF,HOL,DEN,FIN,SWE,AUT, ESP
*	14	963-639	CONTROLLER CIRCUIT 110V - 127V	1	
*	14	963-640Z	CONTROLLER CIRCUIT 220V - 240V	1	
	15	963-635	SWITCH HOLDER	1	
	16	930-446	TAPPING SCREW (W/WASHER) D4X16	2	
*	17	953-327	CORD ARMOR D8.8	1	
*	17	938-051	CORD ARMOR D10.1	1	
	18	963-636	TAIL COVER	1	
	19	936-502	MACHINE SCREW M4X60	2	TILL 4.1987
	19A	963-712	HEX. HD. TAPPING SCREW D4X65	2	SINCE 5.1987
	20	949-453	SPRING WASHER M4 (10 PCS.)	10	
	21	930-630	BRUSH TERMINAL	2	
	22	950-565	HITACHI LABEL	1	
	23	949-554	NUT M4 (10 PCS.)	2	TILL 4.1987
	24	963-341	NUT COVER	2	TILL 4.1987
*	25	999-021	CARBON BRUSH (1 PAIR)	2	
*	25	999-084	CARBON BRUSH (AUTO STOP TYPE) (1 PAIR)	2	FOR USA
	26	937-847	BRUSH CAP	2	
	27	937-846	BRUSH HOLDER	2	
	28	963-383	HEX. SOCKET SET SCREW M4X8	2	
	29	963-633	SWITCH (2P PILLAR TYPE)	1	
*	30	994-273	NOISE SUPPRESSOR	1	
*	31	959-144	TERMINAL 50051 (10 PCS.)	1	FOR NZL,GBR,SAF,FRG,DEN,SWE,ESP
*	32	963-634	SWITCH PLATE	1	FOR EXCEPT FIN
	33	960-266	CORD CLIP	1	

*: ALTERNATIVE PARTS

11 - 90

PARTS

CJ 65VA

ITEM NO.	CODE NO.	DESCRIPTION	NO. USED	REMARKS	
	34	940-928	WRENCH HOLDER	1	
*	35	500-201Z	CORD	1	(CORD ARMOR D10.1)
*	35	500-223Z	CORD	1	(CORD ARMOR D10.1)FOR SIN,KUW
*	35	500-226Z	CORD	1	(CORD ARMOR D8.8)FOR NZL,NGU,AUS
*	35	500-234Z	CORD	1	(CORD ARMOR D8.8)FOR FRG,ITA,INA,SUR,
					MLT
*	35	500-240Z	CORD	1	(CORD ARMOR D8.8)FOR USA,CAN
*	35	500-245Z	CORD	1	(CORD ARMOR D10.1)FOR SYR
*	35	500-247Z	CORD	1	(CORD ARMOR D10.1)FOR HOL,SWE
*	35	500-248Z	CORD	1	(CORD ARMOR D10.1)FOR SUI
*	35	500-409Z	CORD	1	(CORD ARMOR D8.8)FOR DEN,FIN,AUT,ESP
	36	963-630Z	HANDLE CAP	1	
	37	963-629Z	HANDLE KNOB	1	
*	38	963-627Z	UPPER COVER ASS'Y	1	INCLUD.41 - 43
*	38A	963-647	UPPER COVER ASS'Y	1	INCLUD.41 - 43 FOR FRG
	39	962-994	MARK PLATE	1	
	40	949-219	MACHINE SCREW M4X16 (10 PCS.)	4	
	41	963-356	WASHER (C)	2	
	42	963-354	FELT (A)	1	
	43	963-355	WASHER (D)	1	
	44	963-362	SPRING	2	
	45	963-399	PLATE	1	
*	46	963-376	CHIP COVER	1	
*	46A	963-648	CHIP COVER (B)	1	FOR FRG
	47	949-239	MACHINE SCREW M5X16 (10 PCS.)	1	
	48	949-454	SPRING WASHER M5 (10 PCS.)	1	
	49	949-424	WASHER M5 (10 PCS.)	1	
	50	963-352	PACKING	1	
	51	963-349	WASHER (A)	1	TILL 5.1987
	52A	963-658	BALANCE WEIGHT	1	
	53	963-641	ORBITAL CAM (C)	1	
	54	963-642	WASHER	2	
	55	963-347	WASHER (A)	1	
	56	963-344	GEAR	1	
	57	957-540	WASHER (A)	1	
	58	963-343	SPINDLE	1	
	59	954-015	TAPPING SCREW D4X35	2	
	60	958-705	TAPPING SCREW D4X25	1	
	61A	963-396	GEAR COVER	1	
	62	958-246	FELT PACKING	1	TILL 5.1985
	63	629-DDM	BALL BEARING 629DDMC3EAV2S	1	
	64	957-754	RUBBER RING	1	TILL 5.1985
	65	949-215	MACHINE SCREW M4X8 (10 PCS.)	4	
	66	959-155	STEEL BALL D3.97 (10 PCS.)	1	
	67	982-454	SPRING (C)	1	
	68	673-489	RETAINING RING (E - TYPE) FOR D5 SHAFT	1	
	69	963-368	CHANGE KNOB	1	
	70	963-380	ORBITAL LABEL	1	
	71	963-359	CONNECTOR HOLDER	1	
	72	963-628Z	PLUNGER ASS'Y	1	INCLUD.73
	73	949-811	HEX. SOCKET HD. BOLT M4X8 (10 PCS.)	1	

