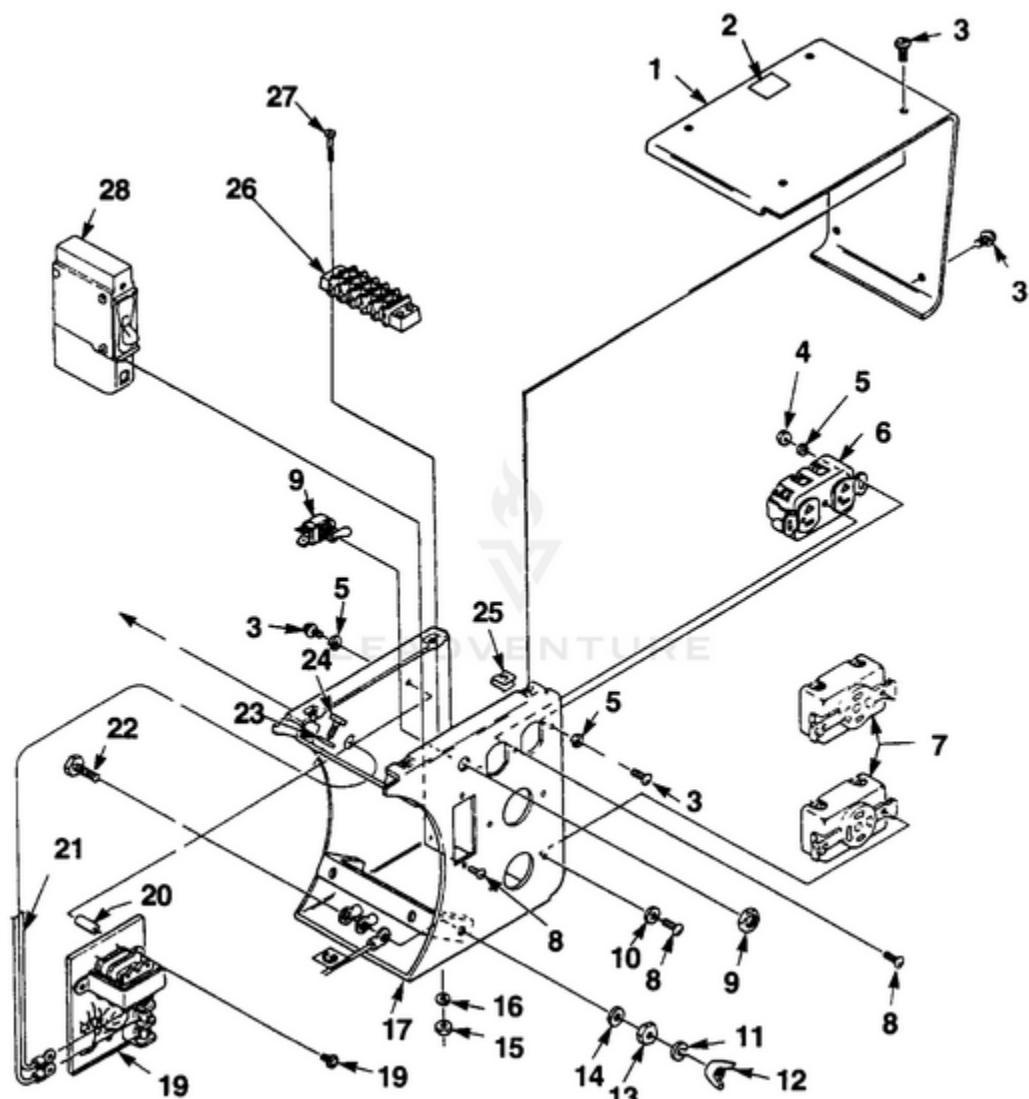


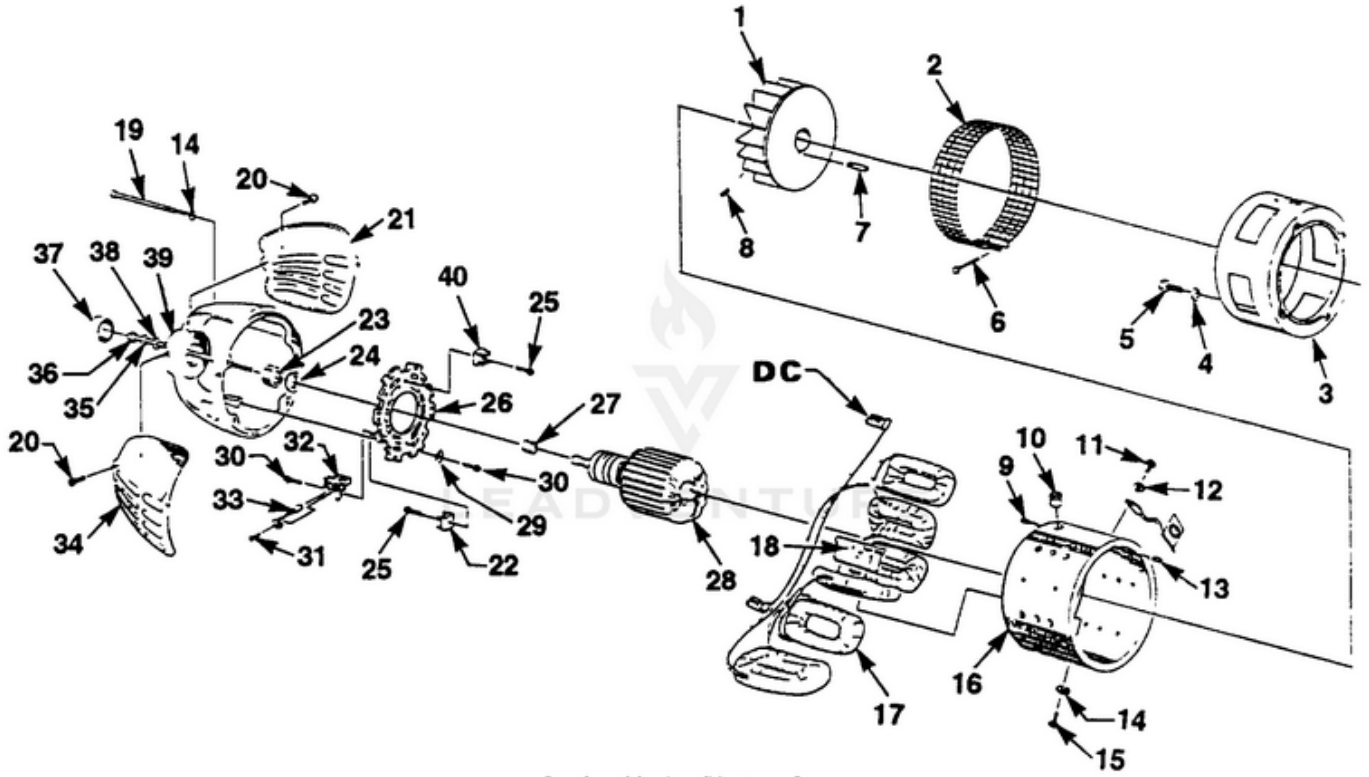
CHY5000 Generator UT-03772-A - Control Panel



Rendered by LeadVenture, Inc.

Ref #	Part #	Description	Qty	Context Note
1	A04365	COVER - Control Box	1	
2	04272	DECAL - Warning	1	
3	82469	SCREW - Mach Slot (8-32 X 3/8")	9	Torque Specs 8-10 In/Lbs., 9-1.1 Nm
4	81009	NUT - Hex (8-32)	2	
5	83086	WASHER - Lock (#8)	2	
6	51373	RECEPTACLE - Duplex (Nema 5-20R)	1	
7	51137A	RECEPTACLE (3 Pole, 4 Wire)	2	
8	82481	SCREW - Round Hd (8-32 X 3/8")	5	Torque Specs 8-10 In/Lbs., 9-1.1 Nm
9	53282	SWITCH - Toggle (SPST)	1	
10	83024	WASHER - Lock (#6)	4	
11	83002	WASHER - Lock (5/16)	1	
12	81015	NUT - Wing (5-16-18)	1	
13	81018	NUT - Hex (5/16-18)	1	
14	83081	WASHER-Lock (5/16)	1	
15	81092	NUT - Hex (10-24)	2	
16	83006	WASHER - Lock (#10)	2	
17	A04364	CONTROL BOX	1	
18	A01865A	IDLE CONTROL w/Feet	1	
19	80022	SCREW - Mach Fil Hd (8-32 X 1/2")	3	Torque Specs 12-14 In/Lbs., 1.4-1.6 Nm
20	50909	SPACER	3	
	06623	FUSE - Slow-blow	1	Not shown
21	A02233	ELECTROMAGNET	1	See "ROLL CAGE" diagram, item #22
22	80088	SCREW - Cap Hex Hd (5/16-18 X 1-1/4")	1	Torque Specs 145-155 In/Lbs., 16.4-17.5 Nm
23	83009	WASHER - Lock (1/4)	4	
24	82477	SCREW - Machine Hex Hd. (1/4-20 X 1/2")	4	Torque Specs 65-70 In/Lbs., 7.3-7.9 Nm
25	81227	NUT - Speed (8-32)	6	
26	42366	BLOCK - Terminal	1	
27	82311	SCREW - Machine (10-24 X 5/8")	2	Torque Specs 20-25 In/Lbs., 2.3-2.8 Nm
28	48651A	BREAKER - Circuit (25A, 240V)	1	

CHY5000 Generator UT-03772-A - Generator End

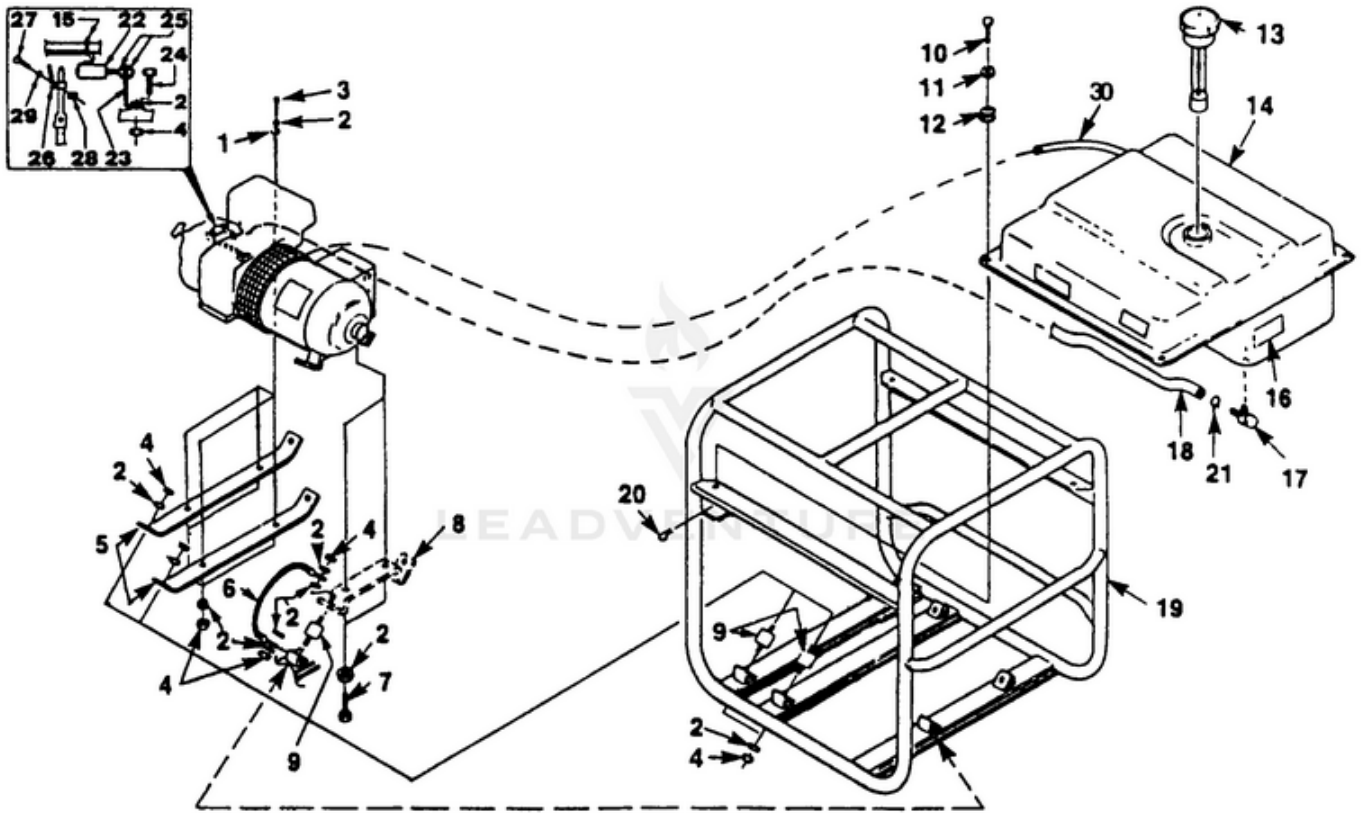


Rendered by LeadVenture, Inc.

Ref #	Part #	Description	Qty	Context Note
1	292521	FAN	1	
2	618836	SCREEN - Generator Mtg Ring	1	
3	A42614	ADAPTER - Engine	1	
4	83117	WASHER - Lock Int/Ext (3/8)	4	
5	80187	SCREW - Hex Hd (3/8-16 X 7/8")	4	Torque Specs 240-250 In/Lbs., 27-1-28.2 Nm Red 277 Required Loctite
6	80236	SCREW - Machine Fil. Hd (1/4-20 X 2-1/4")	1	Torque Specs 65-70 In/Lbs., 7.3-7.9 Nm
7	43301A	KEY (3/16 X 3/16 X 1)	1	
8	80357	SCREW - Set (1/4-20 X 3/8")	1	Torque Specs 65-70 In/Lbs., 7.3-7.9 Nm
9	66185	PIN - Spirol	1	
10	48713	BUSHING - Flange	1	
11	82469	SCREW - Mach Pan Hd (8-32 X 3/8")	5	Torque Specs 12-14 In/Lbs., 1.4-1.6 Nm
12	83086	WASHER - Lock (#8)	12	
13	67905	PIN - Spirol	1	
14	83009	WASHER - Lock (1/4)	12	
15	82496	SCREW - Cap Hex Hd (1/4-20 X 1")	12	Torque Specs 65-70 In/Lbs., 7.3-7.9 Nm
16	A48877S	YOKE	1	
17	A06322	COIL - Field	6	
18	A53431	POLE - Piece	6	
19	4885301	BOLT - Stator	4	Torque Specs 65-70 In/Lbs., 7.3-7.9 Nm
20	82463	SCREW - Mach Hex Hd (10-24 X 5/8")	4	Torque Specs 25-30 In/Lbs., 2.8-3.4 Nm
21	266153A	COVER - Brush Head	1	
22	53818A	RECTIFIER 35 AMP	1	
23	A54954	BEARING - Roller	1	
24	54903	SEAL - Roller Bearing	1	
25	82205	SCREW - Thread Rolling (8-32 X 2/4")	2	Torque Specs 18-22 In/Lbs., 2.0-2.5 Nm
26	486091A	RING - Brush Holder	1	
27	54792	RACE - Inner	1	
28	A48607S	ARMATURE	1	
29	84025	WASHER - Flat (#8)	4	
30	82474	SCREW - Thread Rolling (8-32 X 1/2")	12	Torque Specs 18-22 In/Lbs., 2.0-2.5 Nm
31	80260	SCREW - Round Hd (8-32 X 3/8")	12	Torque Specs 5-7 In/Lbs., .6-.8 Nm
32	53760	HOLDER - Brush	6	
33	53762	BRUSH	12	
34	266143B	COVER - Brush Head	1	
35	83002	WASHER - Lock (5/16)	1	
36	4885208	BOLT - Rotor (5/16-24 X 10-3/4")	1	Torque Specs 120-150 In/Lbs., 13.6-16.9 Nm
37	53445	CAP - Bearing	1	

Ref #	Part #	Description	Qty	Context Note
38	549211	WASHER - Flat	1	
39	549225	HEAD - Brush	1	
40	08491	RECTIFIER - 40 AMP	1	

CHY5000 Generator UT-03772-A - Roll Cage



Rendered by LeadVenture, Inc.

Ref #	Part #	Description	Qty	Context Note
1	84046	WASHER - Flat (5/16)	4	
2	83081	WASHER - Lock/Int (5/16)	24	
3	80197	SCREW - Cap Hex Hd (5/16-18 X 2")	4	Torque Specs 140-150 In/Lbs. 15.8-16.9 Nm
4	81162	NUT - Hex (5/16-18)	17	
5	49265	SUPPORT - Engine	2	
6	A49399	GROUND STRAP	1	
7	82206	SCREW - Thread Form (5/16-18 X 1")	2	Torque Specs 200-250 In/Lbs. 24.9-28.2 Nm
8	48944	SUPPORT - Generator	1	
9	49367	ISOLATOR - Vibration	6	
10	49329	PIN - Clevis	4	
11	84006	WASHER - Flat (1/4)	4	
12	49351	GROMMET - Isolator	4	
13	49179	CAP - Fuel	1	
14	021101	TANK - Fuel	1	
15	46840	TIE - Cable	6	
16	49340A	DECAL - Fuel Valve	1	
17	02192	VALVE - Fuel	1	
18	0216001	FUEL LINE	1	
19	A062541	ROLL CAGE	1	
20	49412	PIN - Cotter Hair	4	
21	02181	HOSE - Clip	1	
22	A02233	ELECTROMAGNET W/Grommet	1	
23	02173	BRACKET - Magnet, 11HP	1	
24	80085	SCREW - Cap Hex Hd (5/16-18 X 1")	1	Torque Specs 130-140 In/Lbs. 14.7-15.8 Nm
25	810652	NUT - Hex (1/4-28)	2	
26	02172	PADDLE - 11HP	1	
27	80577	SCREW - Mach Pan Hd (8-32 X 2/3")	1	Torque Specs 18-22 In/Lbs. 2.0-2.5 Nm
28	81227	NUT - Speed (8-32)	1	
29	83022	WASHER - Lock/Int (#8)	1	
30	A06427	ELECTRICAL LEAD	1	

Ref #	Part #	Description	Qty	Context	Note
G1	A48658	3-PHASE 180 HZ 6 POLE STATIONARY FIELD GENERATOR			
CB1	48651A	25 AMP A.C. CIRCUIT BREAKER			
CR1	53818A	FULL WAVE BRIDGE RECTIFIER - 35 AMP			
J1	51373	120 VOLT, DUPLEX RECEPTACLES			
J2	51137A	230 VOLT, 3 POLE, 4 WIRE GROUNDING RECEPTACLE			
J3	51137A	230 VOLT, 3 POLE, 4 WIRE GROUNDING RECEPTACLE			
L1	A53279	IDLE CONTROL SOLENOID			
TB1	42366	5 PLACE 30 AMP TERMINAL BOARD			
SW1	53282	SPST SWITCH			
TB2	A48648C	IDLE CONTROL BOARD			
CR2	04891	FULL WAVE BRIDGE RECTIFIER - 40 AMP			