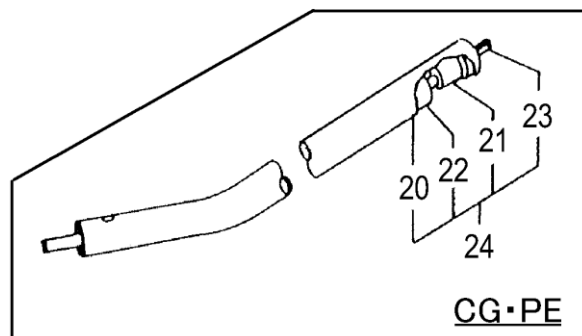
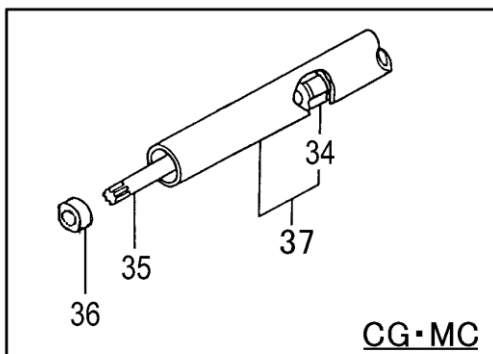
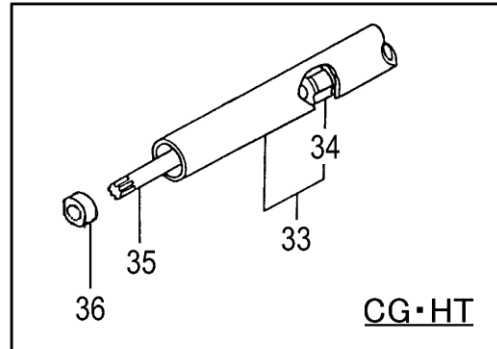
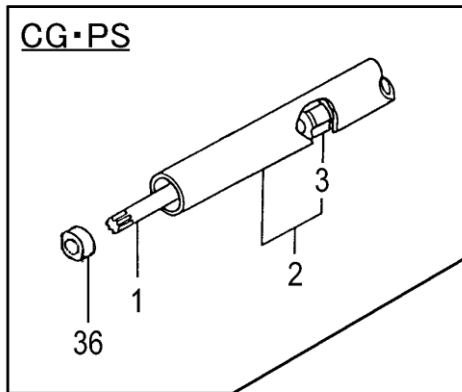
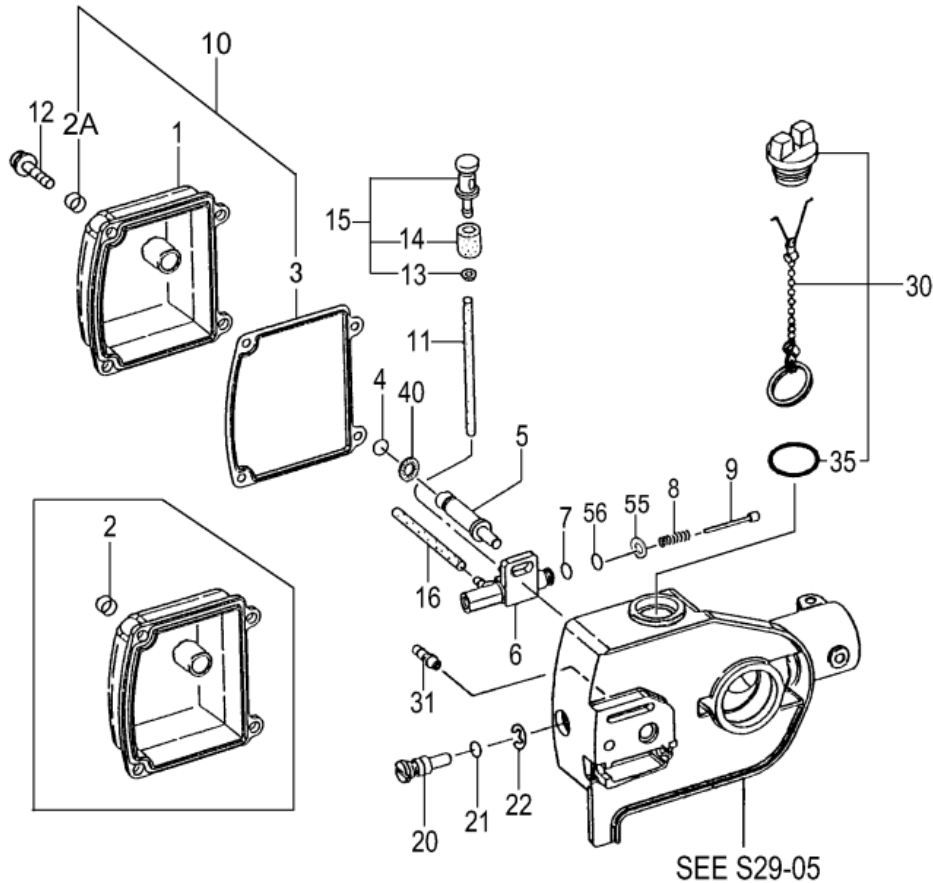


# S29-01 DRIVE SHAFT(CG-HT/PS/MC/PE)



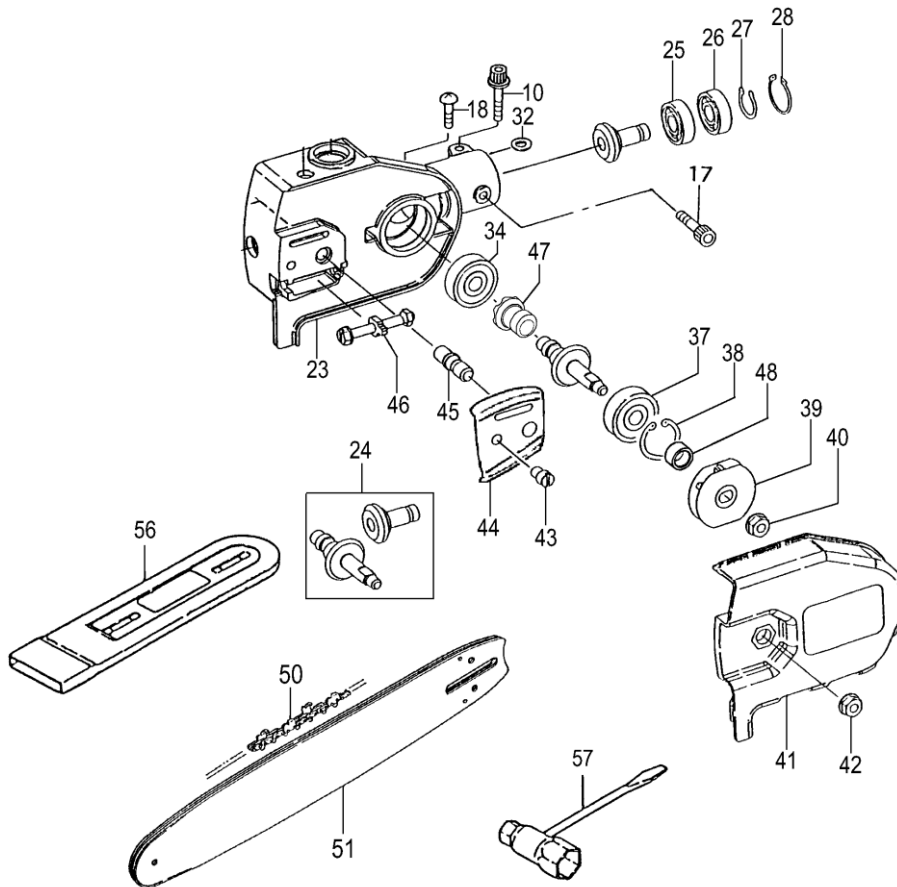
REF. NUMBER	SERVICE CODE No.	DESCRIPTION	Q'TY	REMARKS /SERIAL NO.
<b>S29-01 DRIVE SHAFT(CG-HT/PS/MC/PE)</b>				
001	668-6000	DRIVE SHAFT B 1085L	1	
002	668-9314	DRIVE SHAFT COMP 1042L	1	
003	668-4831	BUSH ASS'Y	4	
020	668-9360	DRIVE SHAFT	1	
021	668-9146	SPACER	1	
022	668-9560	FLEXIBLE LINER	1	
023	668-9486	FLEXIBLE SHAFT	1	
024	669-6012	DRIVE SHAFT PIPE SET	1	
033	668-9302	DRIVE SHAFT PIPE COMP 742L	1	
034	668-4831	BUSH ASS'Y	4	
035	668-4832	DRIVE SHAFT B 783L	1	
036	668-4833	BUSHING	1	
037	669-7838	DRIVE SHAFT COMP	1	

# S29-04 GEAR CASE-1(CG-PS)



REF. NUMBER	SERVICE CODE No.	DESCRIPTION	Q'TY	REMARKS /SERIAL NO.
<b>S29-04 GEAR CASE-1(CG-PS)</b>				
001	668-6138	OIL TANK COVER	1	
002	668-5961	COLLAR 3	4	- EN29999
002A	669-9273	COLLAR 3	4	ED20001 -
003	669-9567	OIL TANK PACKING	1	ED20001 -
004	669-5661	O-RING P-5	1	
005	668-9757	STEP BOLT A	1	
006	668-6487	OIL PUMP COMP.	1	
007	669-5661	O-RING P-5	1	
008	669-0381	OIL PUMP SPRING	1	
009	668-6608	OIL PUMP PISTON COMP.	1	
010	669-9566	TANK PACKING ASS'Y	1	ED20001 -
011	669-2414	FUEL PIPE 3X5X60	1	
012	669-5403	SMALL SCREW 4X12WS	4	
013	668-4661	WASHER 5	1	
014	669-0917	OIL FILTER	1	
015	669-0913	FILTER ASS'Y	1	
016	669-2415	FUEL PIPE 3X5X75	1	
020	669-1066	OIL PUMP ADJUSTER	1	
021	669-5661	O-RING P-5	1	
022	669-5311	STOP RING E-6	1	
030	669-2050	OIL TANK CAP ASS'Y	1	
031	668-6637	BANJO, OIL PUMP	1	
035	669-8966	O-RING P-15	1	
040	669-5239	8 PUSH NUT	1	
055	669-5187	WASHER 2	1	
056	669-5656	O-RING 1.4	1	

# S29-05 GEAR CASE-2 (CG-PS)



REF. NUMBER	SERVICE CODE No.	DESCRIPTION	Q'TY	REMARKS /SERIAL NO.
<b>S29-05 GEAR CASE-2 (CG-PS)</b>				
010	669-5492	HEX. HOLE BOLT 5X22/S	1	
017	669-5042	HEX. HOLE BOLT 5X10	1	
018	669-5458	SCREW 6X8	1	
023	668-5793	CASE	1	
024	668-8836	GEAR PINION SET SPARE	1	
025	668-4734	BALL BEARING 609	1	
026	668-4735	BALL BEARING 609Z ST	1	
027	669-5281	STOP RING C-9, OUTER	1	
028	668-4732	STOP RING C-24,INNER	1	
032	669-3248	STARTER PAWL WASHER	1	
034	669-5568	BALL BEARING 627 C3	1	
037	669-7603	BALL BEARING 638Z	1	
038	668-4741	STOP RING C-28,INNER	1	
039	668-9117	SPROCKET COMP.,3/8	1	
040	669-5170	FLANGE NUT 6	1	
041	668-6038	SIDE COVER COMP.	1	
042	668-7105	CHAIN BAR CLAMP NUT	1	
043	668-7130	CHAIN BAR KNOCK PIN	1	
044	669-7596	GUIDE PLATE	1	
045	668-6803	CHAIN BAR TIGHTENING BOLT	1	
046	668-7063	CHAIN TENSIONER	1	
047	669-0428	CAM	1	
048	668-5962	COLLAR	1	
050	668-7176	SAW CHAIN, 10 INCH, 3/8	1	
051	668-6882	CHAIN BAR 10	1	
056	669-4796	GUIDE BAR COVER, 10	1	
057	669-3809	COMBI. BOX SPANNER 13X19 MINUS	1	