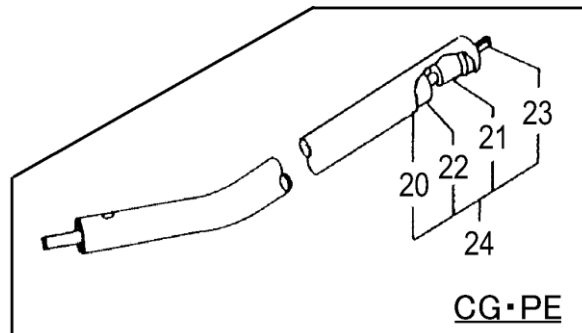
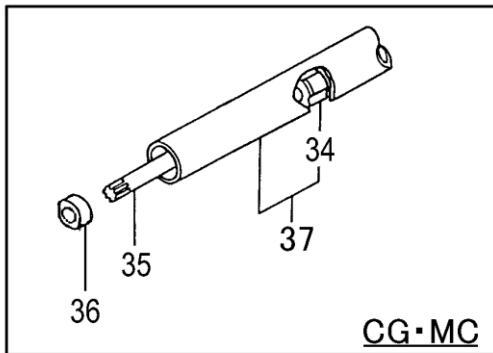
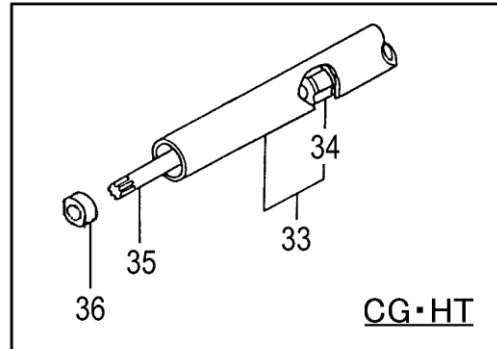
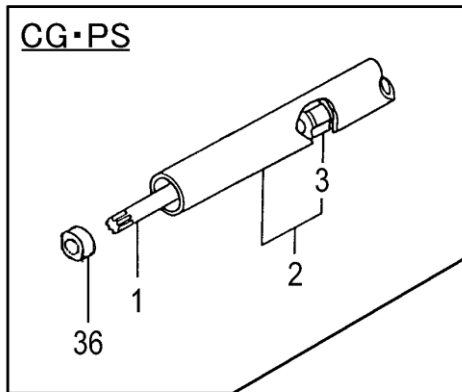
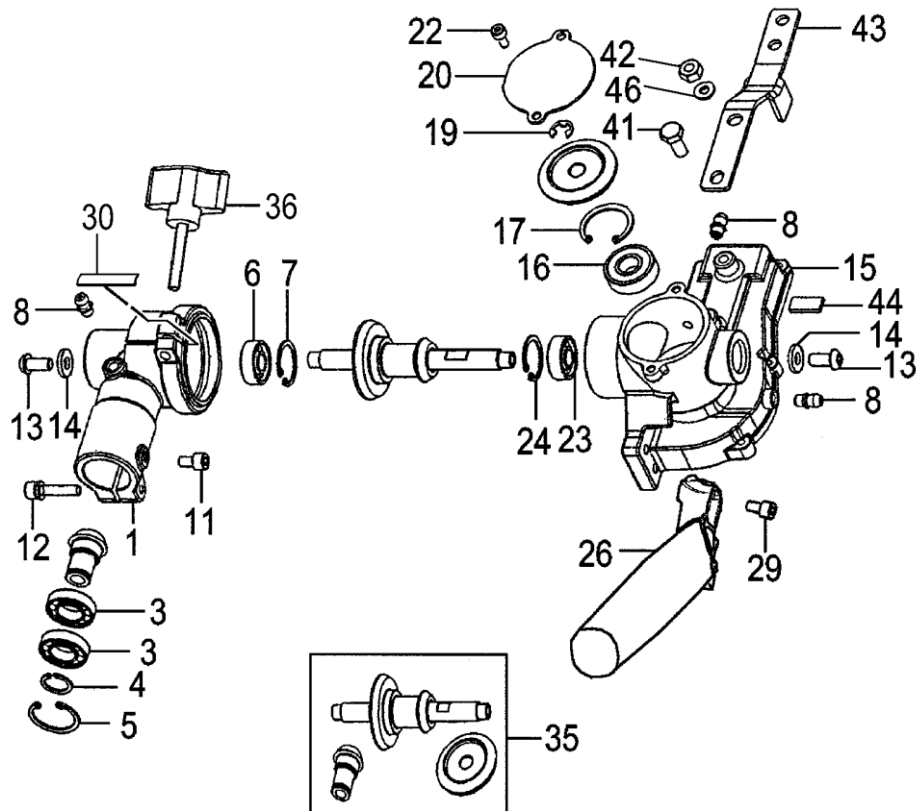


S29-01 DRIVE SHAFT(CG-HT/PS/MC/PE)



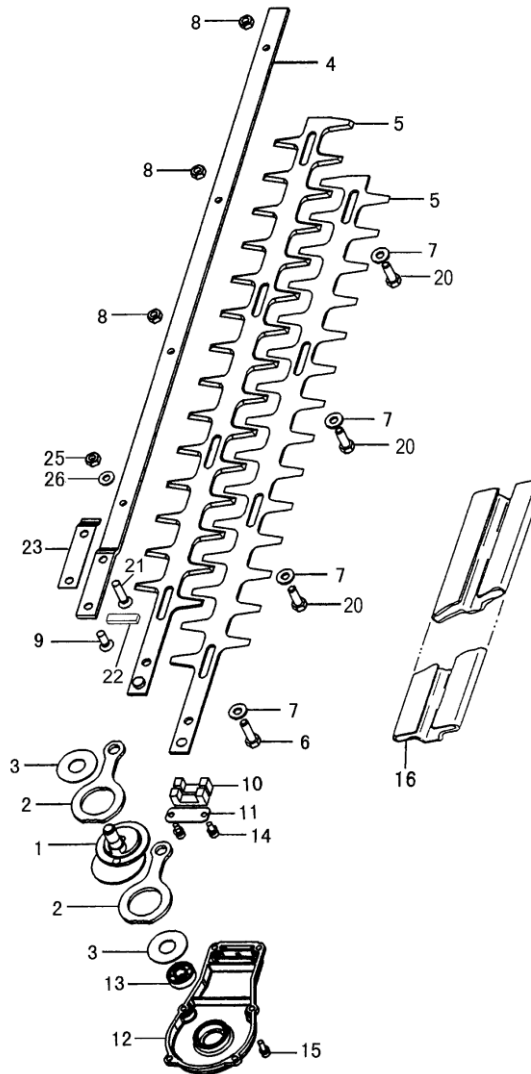
REF. NUMBER	SERVICE CODE No.	DESCRIPTION	Q'TY	REMARKS /SERIAL NO.
S29-01 DRIVE SHAFT(CG-HT/PS/MC/PE)				
001	668-6000	DRIVE SHAFT B 1085L	1	
002	668-9314	DRIVE SHAFT COMP 1042L	1	
003	668-4831	BUSH ASS'Y	4	
020	668-9360	DRIVE SHAFT	1	
021	668-9146	SPACER	1	
022	668-9560	FLEXIBLE LINER	1	
023	668-9486	FLEXIBLE SHAFT	1	
024	669-6012	DRIVE SHAFT PIPE SET	1	
033	668-9302	DRIVE SHAFT PIPE COMP 742L	1	
034	668-4831	BUSH ASS'Y	4	
035	668-4832	DRIVE SHAFT B 783L	1	
036	668-4833	BUSHING	1	
037	669-7838	DRIVE SHAFT COMP	1	

S29-02 GEAR CASE (CG-HT)



REF. NUMBER	SERVICE CODE No.	DESCRIPTION	Q'TY	REMARKS /SERIAL NO.
S29-02 GEAR CASE(CG-HT)				
001	668-8653	GEAR CASE A,24 DIA	1	
003	669-5582	BALL BEARING 6901ZZ, 24MM/OD	2	
004	669-5302	STOP RING S-12, OUTER	1	
005	668-4732	STOP RING C-24, INNER	1	
006	669-8772	BALL BEARING 608 ZZ C3	1	
007	669-5293	RETAINING RING C-TYPE D22	1	
008	668-8643	GREASE NIPPLE COMP.	3	
011	669-5042	HEX. HOLE BOLT 5X10	1	
012	668-4709	HEX.HOLE BOLT M5X25/S	1	
013	669-5078	HEX. HOLE BOLT 6X12	2	
014	668-4822	SPECIAL WASHER B	2	
015	669-5981	GEAR CASE B	1	
016	669-5528	BALL BEARING #6000ZZ, 26MM/OD	1	
017	669-5294	RETAINING RING C-TYPE D26	1	
019	669-5310	RETAINING RING E-TYPE D6	1	
020	668-9167	GEAR CASE COVER (A)	1	
022	669-5035	HEX HOLE BOLT 4X8	2	
023	669-8772	BALL BEARING 608 ZZ C3	1	
024	669-5293	RETAINING RING C-TYPE D22	1	
026	668-8089	HANDLE	1	
029	669-5079	HEX HOLE BUTTON SCREW 6X15	2	
030	668-6669	GREASE STOP (D)	1	
035	669-6411	GEAR SET PN	1	
036	669-1200	HANDLE KNOB A COMP.	1	
041	669-5016	PLUS BOLT 6X14	1	
042	669-5175	LOCK NUT 6 UPS-P	1	
043	669-0744	SUPPORT PLATE	1	
044	668-6659	GREASE STOP (B)	1	
046	668-4639	BOLT WASHER 6	1	

S29-03 BLADE (CG-HT)



REF. NUMBER	SERVICE CODE No.	DESCRIPTION	Q'TY	REMARKS /SERIAL NO.
S29-03 BLADE (CG-HT)				
001	668-6790	CAM SHAFT COMP.	1	
002	668-6809	CAM ROD	2	
003	668-6611	CAM-ROD GUIDE PLATE	2	
004	668-7125	CUTTER GUIDE 625.5MM	1	
005	668-7079	CUTTER (A)	2	
006	668-7158	FIXING BOLT A M6	1	
007	668-7187	WASHER 7 BLACK	4	
008	669-5170	FLANGE NUT 6	3	
009	669-5073	HEX HOLE FLUSH SCREW 6X16	1	
010	668-6647	GREASE STOP (A)	2	
011	668-6826	CAM ROD PLATE	1	
012	668-9173	GEAR CASE COVER (B)	1	
013	669-5547	BALL BEARING 608 ZZ C3	1	
014	669-5484	HEX. HOLE BOLT 4X10S	2	
015	668-4595	HEX. SOCKET HD. BOLT (W/SP.WASHER) M4X12	6	
016	668-7301	CUTTER COVER	1	
020	668-7162	CUTTER FIXING BOLT B	3	
021	669-5075	HEX. HOLE FLUSH BOLT 6X25	1	
022	668-6666	GREASE STOP (C)	1	
023	668-8633	SPACER	1	
025	669-5175	LOCK NUT 6 UPS-P	1	
026	668-4639	BOLT WASHER 6	1	