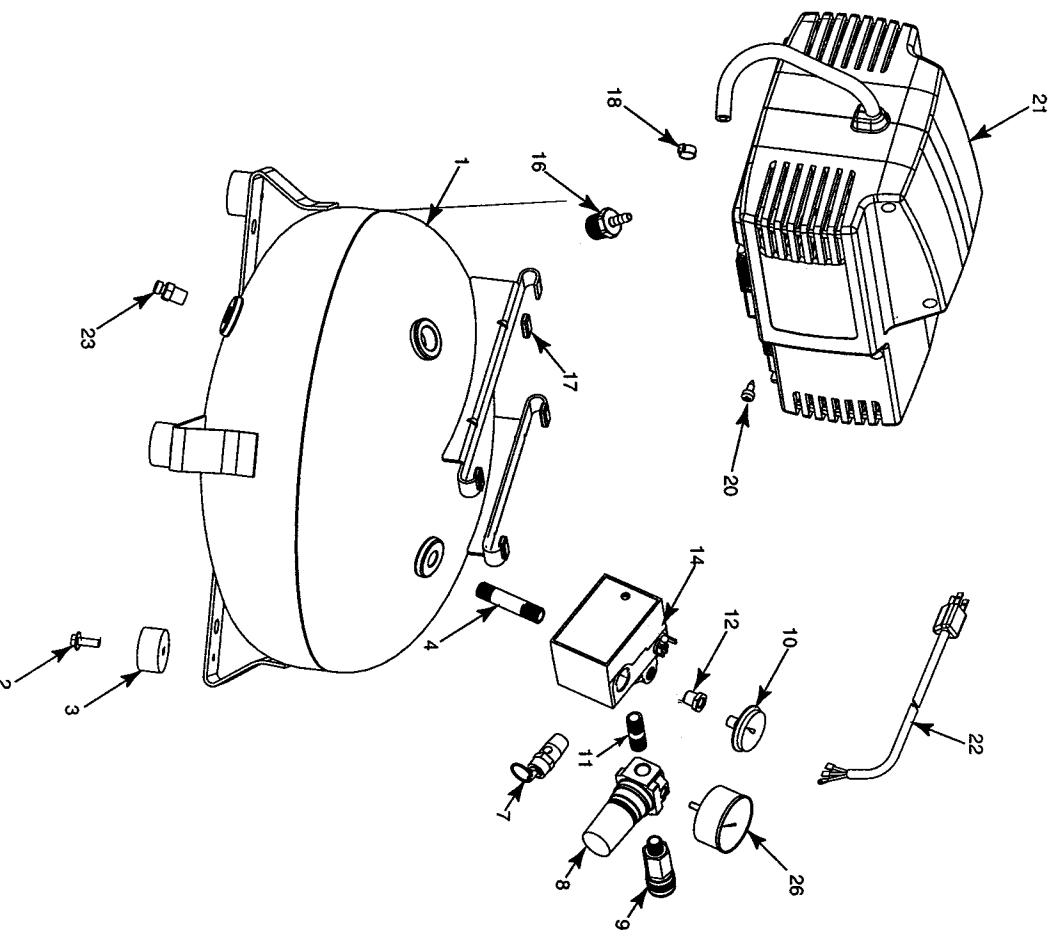
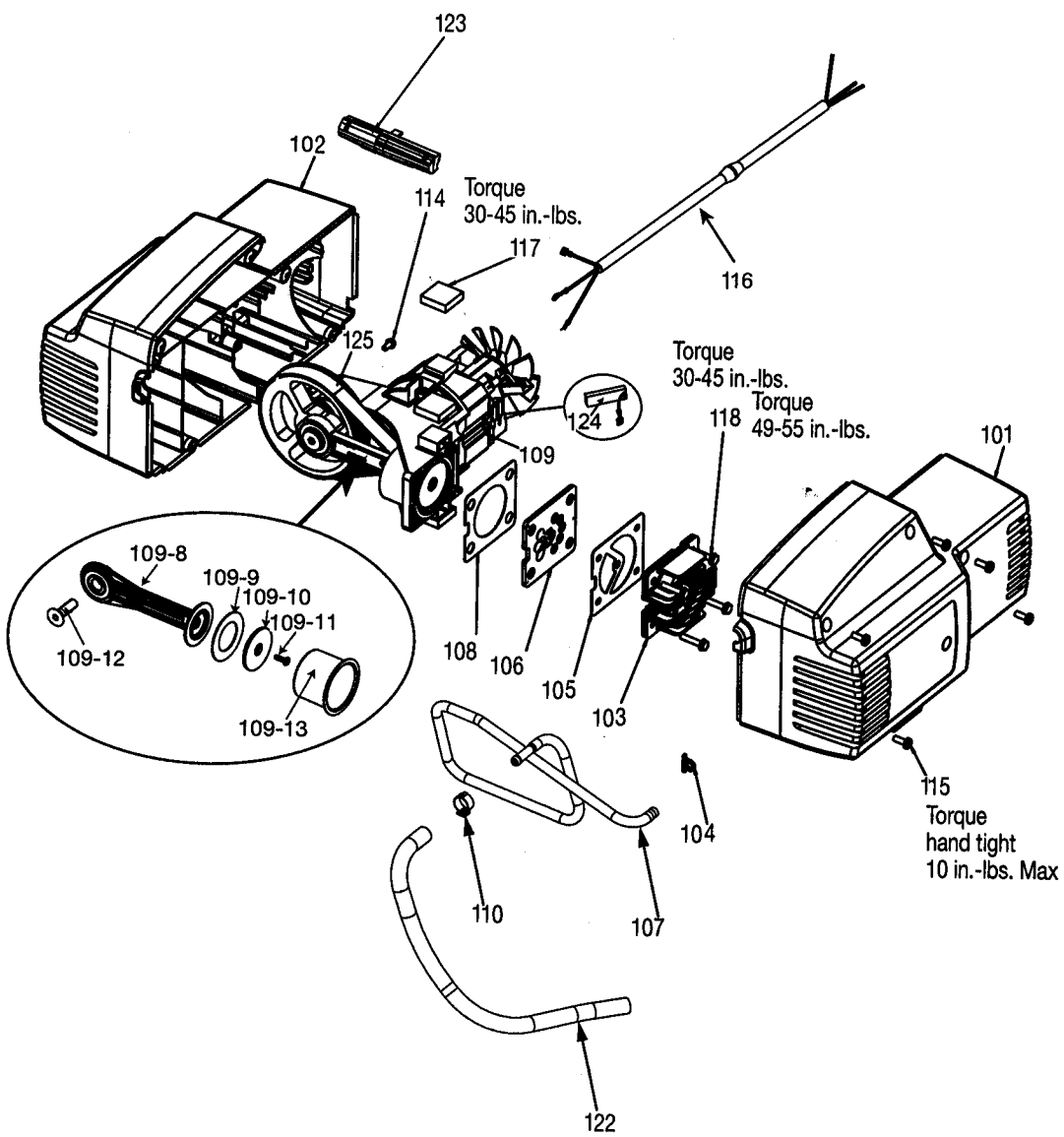


PORTER-CABLE® PANCAKE COMPRESSOR

CFBN220

WARNING: Electrical repairs should only be attempted by trained repairmen. Contact the nearest Porter-Cable Service Center or other competent repair center.





Parts List for CFBN220 Type 0

Item Number	Part Number	Description	Qty Required
1	000000-00	No Longer Available	1
2	91895680	SCREW .250-20X.750 H	3
3	D24721	KIT ISOLATOR W/SCREW	3
4	D24888	NIPPLE .25NPT X 2.5	1
7	D20114	VALVE SAFETY 175 .25	1
8	N008792	REGULATOR RPR KIT	1
8	D27253	REGULATOR 4PORT P2 L	1
9	A19513	BODY QC .250 IND .25	1
10	GA-373	USE Z-GA-373	1
11	N053094	NIPPLE	1
12	SSP-6021	BUSHING REDUCER 1/8-	1
14	5140112-33	PRESSURE SWITCH	1
16	D27022	VALVE CHECK 1/2NPT X	1
17	CAC-1254	ISOLATOR PUMP	4
18	CAC-1206-1	CLAMP HOSE .250 ID H	1
20	SSF-621	SCREW .250-14X.625 F	2
21	000000-00	No Longer Available	1
22	D26616	CORD POWER SJOW 14GA	1
23	A17038	DRAIN VALVE	1
26	Z-D27212	GAUGE 200PSI .125NPT	1
101	A06436	SHROUD KIT	1
102	A06436	SHROUD KIT	1
103	D25877	HEAD UMC PRESSURE RE	1
104	N044359	TUBE SEAL	1
105	D30139	KIT GRAPHITE GASKET	1
106	N017592SV	VALVE PLATE ASSY	1
107	A12368	OUTLET TUBE	1

Parts List for CFBN220 Type 0

Item Number	Part Number	Description	Qty Required
108	D30139	KIT GRAPHITE GASKET	1
109	N036518	CON ROD ASSY	1
109	D21127	SCREW #10-24X.563 PA	10
109	A19123	SCREW	10
109	N036517	CYLINDER KIT	1
109	N087118SV	PUMP ASSEMBLY	1
109	N036518	CON ROD ASSY	1
109	N036517	CYLINDER KIT	1
114	SUDL-9-1	SCREW #8-32X.375/.34	10
115	SSF-3156	SCREW #10-9X.500 THD	10
116	A02706	CORD ASSY UMC PANCAK	1
117	D25731	ISOLATOR PUMP	1
118	SSF-995	SCREW #10-24X.875 HH	1
122	H-7051	HOSE AIR 1/4 X 10 BL	1
123	D20492	HANDLE SUPPORT NON-S	1
124	Z-D27196	BRUSH MOTOR UMC GOLD	1
125	AC-0815	BELT TIMING DAYCO	1
856	N008802	LABEL WARNING	1
856	N008806	LABEL HOT SURFACE TR	1
856	N008888	LABEL	1
856	N036518	CON ROD ASSY	1
856	N036517	CYLINDER KIT	1
856	N008800	LABEL WARNING FRENCH	1
856	LA-3164	LABEL	1
856	LA-3092-1	LABEL WARNING DRAIN	1
856	KK-4929	KIT FASTENER	1
856	D20598	PLUG	1

Parts List for CFBN220 Type 0

Item Number	Part Number	Description	Qty Required
856	D30139	KIT GRAPHITE GASKET	1