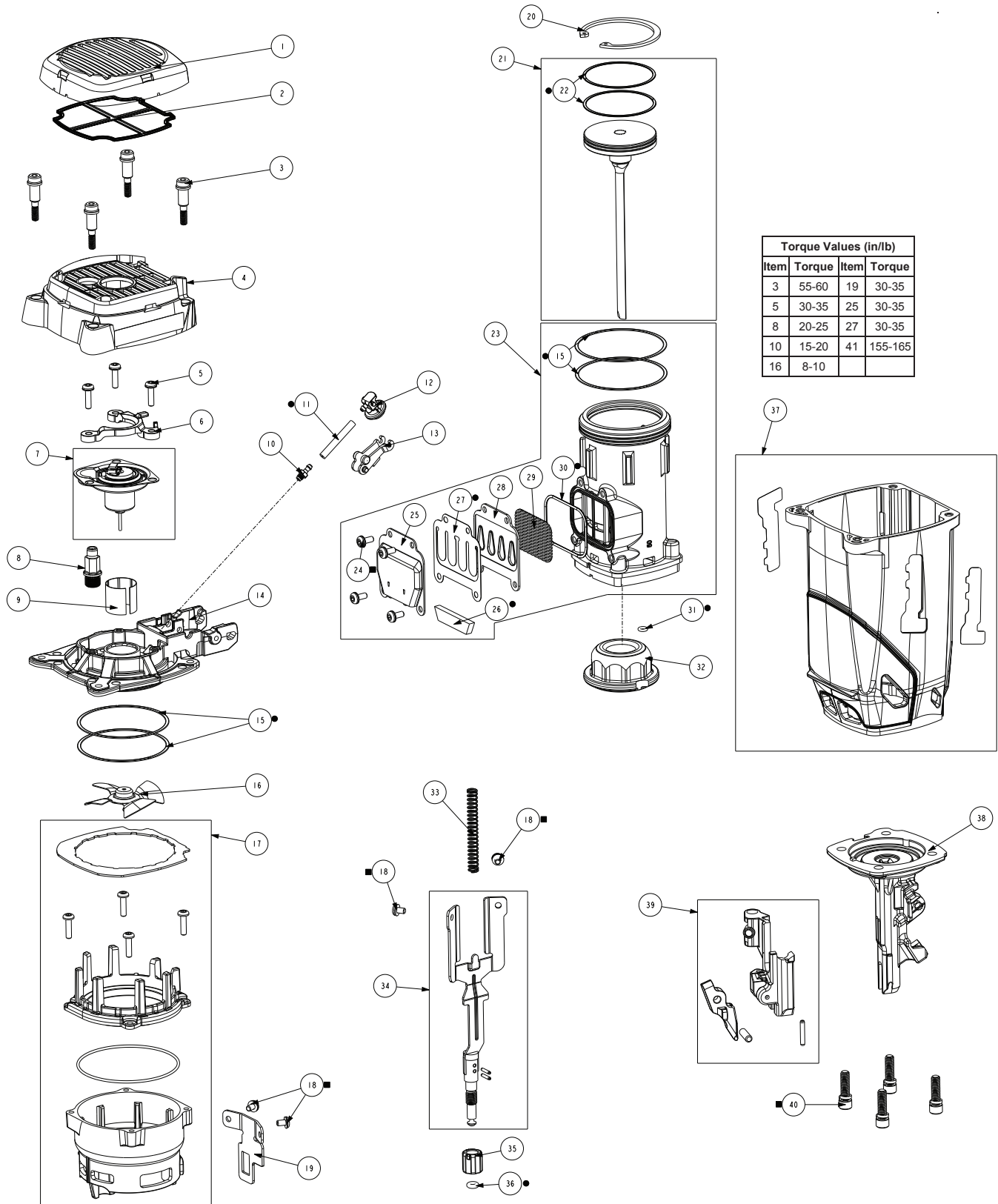


Schematics (cont.)

Part No. 906200
Model CF150-PP



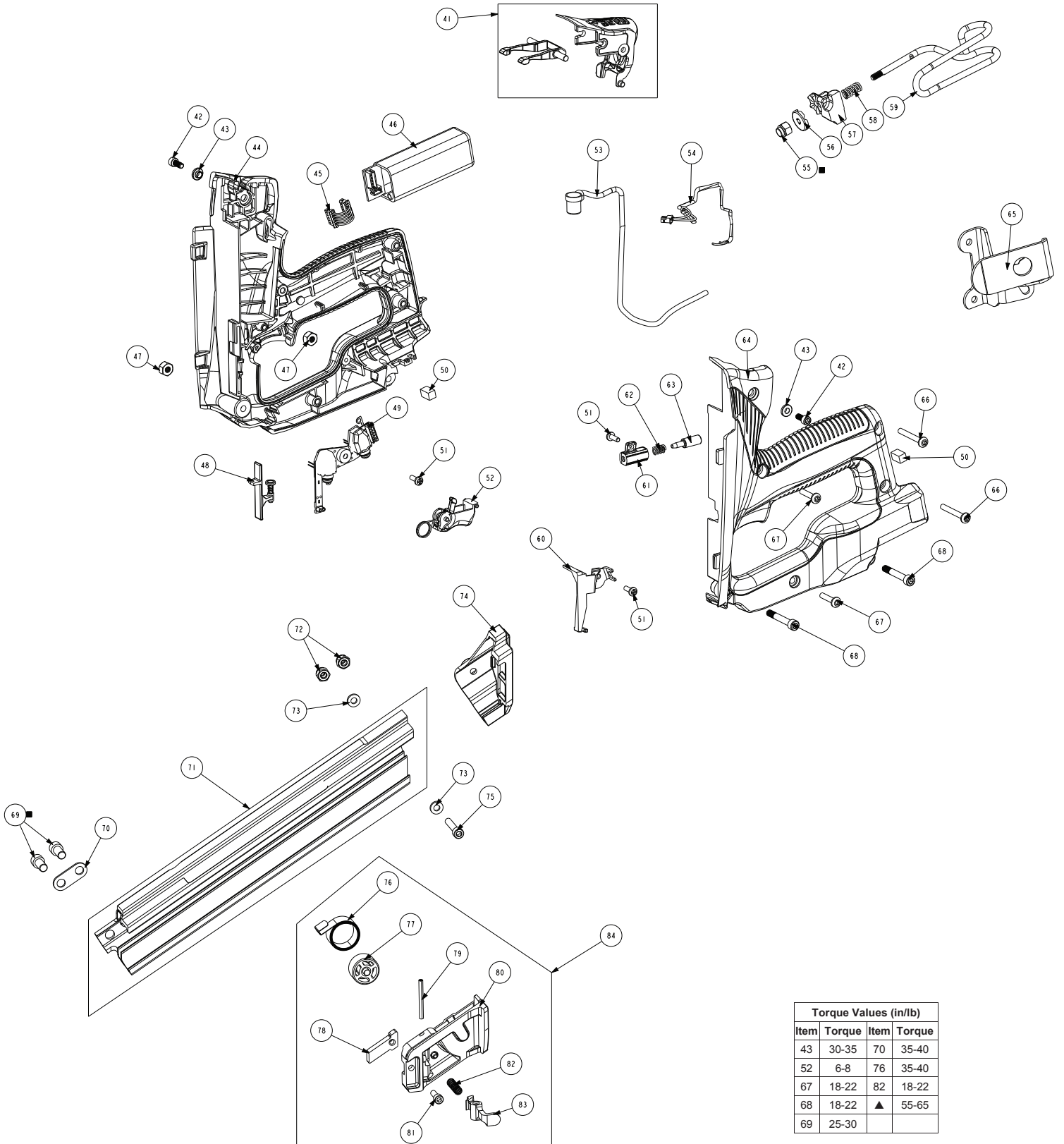
Torque Values (in/lb)			
Item	Torque	Item	Torque
3	55-60	19	30-35
5	30-35	25	30-35
8	20-25	27	30-35
10	15-20	41	155-165
16	8-10		

- Service Kit Item
- Loctite® 242

All parts sold as single items unless described as a pack, set or forms part of an assembly (multiple items defined within a box). A part with no item number is only available in an assembly.

Schematics (cont.)

Part No. 906200
Model CF150-PP



- Service Kit Item
- Loctite® 242

Torque Values (in/lb)			
Item	Torque	Item	Torque
43	30-35	70	35-40
52	6-8	76	35-40
67	18-22	82	18-22
68	18-22	▲	55-65
69	25-30		

All parts sold as single items unless described as a pack, set or forms part of an assembly (multiple items defined within a box). A part with no item number is only available in an assembly.

PARTS LEGEND


1	919042	1 Grill	44	919130	1 Handle RH		
*	2	900455	1 Filter	45	900662	1 Wire Harness, ESU	
3	901065	4 Screw SHC 10-24 x 1-1/4	46	916258	1 Electronic Spark Unit (ESU)		
4	906222	1 Cap	47	919092	2 Nut, Nyloc 10-24		
5	900902	3 Screw TF SEMS 8-32 x 5/8	48	901095	1 Slide Switch Assembly		
6	902637	1 Limiter	49	919068	1 Circuit Board Assembly		
7	902635	1 Motor Assembly, Fan	50	918903	2 Pad, Foam (Battery)		
8	900287	1 Spark Plug Assembly	51	404702	3 Screw TF 6-19 x 3/8		
9	401356	1 Sleeve, Fan Motor	52	919120	1 Trigger Assembly		
10	904517	1 Fuel Barb	53	903728	2 Wire Lead Assembly, Spark		
11	904546	1 Fuel Tube	54	919063	1 Wire Lead Assembly, Fan Motor		
12	902405	1 Fuel Block	55	919079	1 Locknut - Utility Hook		
13	904521	1 Pivot Arm, Fuel Tube	56	919076	1 Utility Hook Button		
14	919219	1 Cylinder Head - All Weather	57	919077	1 Utility Hook Block		
*●	15	919067	4 Seal Ring, Cylinder Head and Sleeve	58	919078	1 Spring - Utility Hook	
16	403167	1 Fan Blade Assembly	59	919075	1 Utility Hook		
17	906223	1 Combustion Chmbr Assmby-All Weather	60	904532	1 Wire Clip		
■	18	919065	4 Screw TX SEMS 8-32 x 3/8	61	904705	1 Lockout Body - Molded	
19	919213	1 Bracket, Chamber Lockout	62	919217	1 Lockout Spring		
20	919004	1 Ring Retaining Clip	63	919215	1 Lockout Pin		
*	21	906120	1 Driver & Piston Assembly	64	906129	1 Handle LH - MOD	
*●	22	900612	2 Seal Ring, Piston	65	906118	1 Belt Hook and Bracket Assembly	
23	919125	1 Sleeve Assembly	66	906114	2 Bracket/Belt Hook Screws		
■	24	900595	4 Screw TX SEMS 8-32 x 3/8	67	901066	2 Screw TF TX 8-16 x 3/4	
25	919010	1 Cover, Muffler	68	919093	2 Screw 10-24		
*●	26	919049	1 Muffler	■	69	502338	2 Screw SHC 1/4-28 UNF x 1/2
*●	27	919009	1 Reed Valve	70	502323	1 Washer Plate, Magazine	
28	919011	1 Reed Plate	71	906215	1 Magazine Assembly		
29	919016	1 Baffle, Exhaust	72	092037	2 Nut, Lock		
*●	30	919014	1 Seal, Exhaust	73	408302	2 Washer, Flat	
*●	31	919017	1 O-Ring	74	502329	1 End Cap, Magazine	
*	32	919012	1 Bumper	75	906150	1 Bolt SHC 10-32 x 1	
33	919046	1 Spring, Yoke	76	502226	1 Spring, Negator		
34	919123	1 Yoke Assembly	77	502025	1 Drum & Pin Assembly		
35	018956	1 Wheel, Depth Adjustment	78	502335	1 Lockout Bar		
●	36	919110	1 O-Ring, Retaining	79	502340	1 Roll Pin	
37	919142	1 Housing Assembly	80	502318	1 Follower Body		
38	906102	1 Nose	81	500627	1 Screw SHC 8-32 x 1/2		
39	906141	1 Probe Assembly	82	502020	1 Spring, Follower		
■	40	919108	4 Screw SHC SEMS 1/4-20 x 7/8	83	513101	1 Lever, Follower	
41	919161	1 Fuel Door Assmby - All Weather	84	513116	1 Follower Assembly		
42	919116	2 Screw SCH 8-32 x 3/8					
43	919115	2 Bushing					

* Normal Wear Item

● Included in Service Kit

■ Apply Loctite® 242 (Blue)

AR As Required

 **WARNING:** All parts must be periodically inspected and replaced if worn or damaged. Failure to comply can affect the tool's operation and present a safety hazard.

Remove battery & nails before commencing service.

 **Use eye and ear protection when operating/testing tools.**

Use eye protection when cleaning tools.

Use degreaser in a well ventilated area.