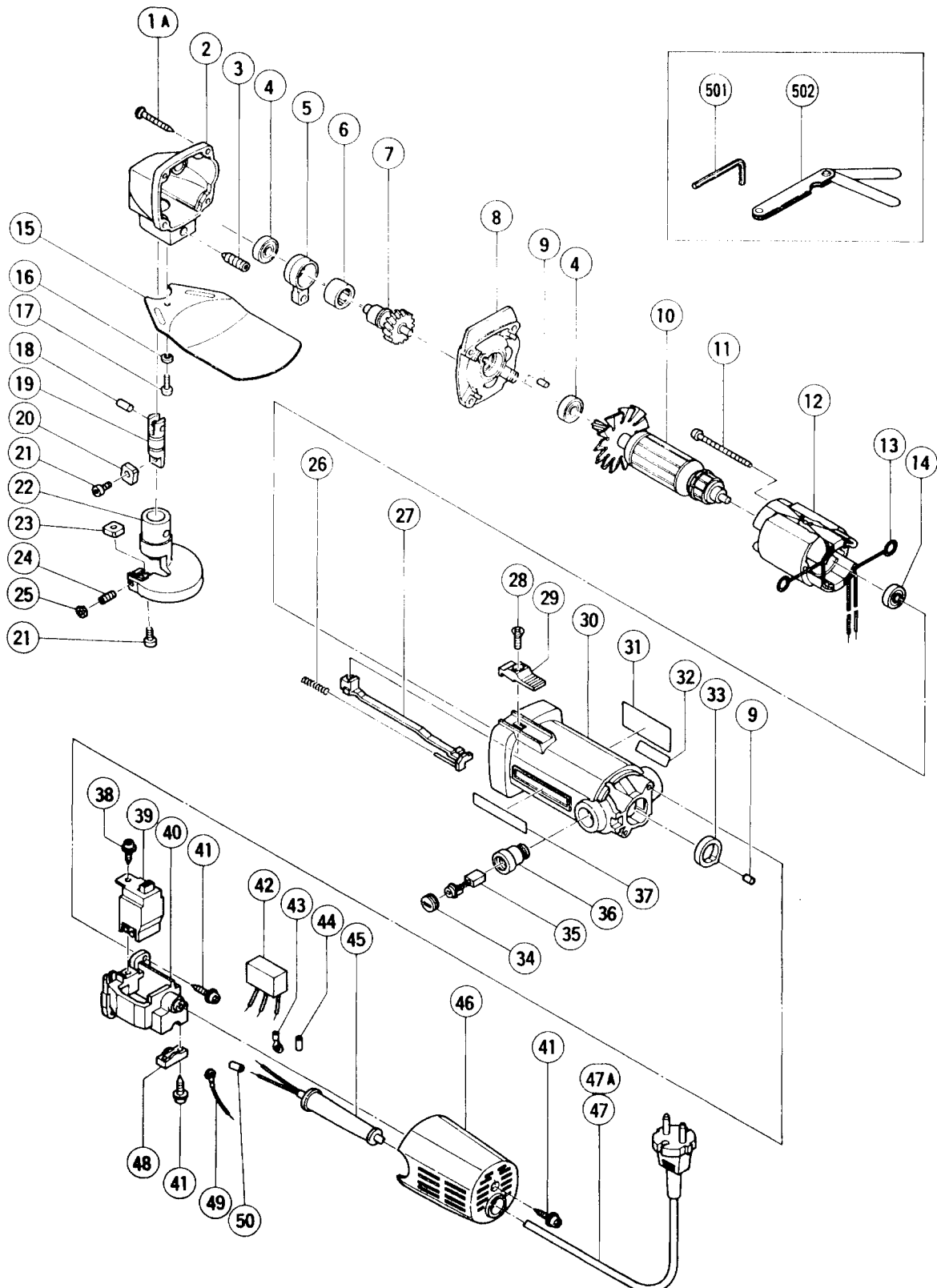


ELECTRIC TOOL PARTS LIST

■ HAND SHEAR
Model CE 16

1993 · 6 · 30
(E3)



PARTS

CE 16

ITEM NO.	CODE NO.	DESCRIPTION	NO. USED	REMARKS
1A	957-580	TAPPING SCREW D5X30	4	
2	998-003	GEAR COVER	1	
3	998-008	HEX. SOCKET SET SCREW M8X20	1	
4	608-VVM	BALL BEARING 608VVMC2EPS2L	2	
5	998-004	CONNECTING ROD ASS'Y	1	INCLUD.6
6	993-163	NEEDLE BEARING (M152112)	1	
7	998-006	SPINDLE	1	
8	998-002	INNER COVER	1	
9	931-701	BEARING LOCK	2	
* 10	360-098U	ARMATURE ASS'Y 110V - 127V	1	INCLUD.4,14
* 10	360-098E	ARMATURE 220V - 230V	1	
* 10	360-098F	ARMATURE 240V	1	
11	954-642	TAPPING SCREW D4X60	2	
* 12	340-127C	STATOR ASS'Y 110V - 115V	1	INCLUD.13
* 12	340-127D	STATOR ASS'Y 120V - 127V	1	INCLUD.13
* 12	340-127E	STATOR ASS'Y 220V - 230V	1	INCLUD.13
* 12	340-127F	STATOR ASS'Y 240V	1	INCLUD.13
* 12	340-127L	STATOR ASS'Y 220V - 230V	1	INCLUD.13 FOR FIN,NZL,ITA,FRA,HOL,DEN, SWE,AUT,FRG,SUI,NOR
* 12	340-127G	STATOR ASS'Y 220V - 230V	1	INCLUD.13 FOR SAF
* 12	340-127H	STATOR ASS'Y 240V	1	INCLUD.13 FOR GBR
* 12	340-127J	STATOR ASS'Y 110V	1	INCLUD.13 FOR GBR
13	930-630	BRUSH TERMINAL	2	
14	626-VVM	BALL BEARING 626VVMC2ERPS2S	1	
15	998-010	PROTECTOR	1	
16	949-454	SPRING WASHER M5 (10 PCS.)	1	
17	949-237	MACHINE SCREW M5X12 (10 PCS.)	1	
18	993-546	PIN D6	1	
19	998-005	PISTON	1	
20	998-000	MOVING BLADE	1	
21	949-812	HEX. SOCKET HD. BOLT M4X10 (10 PCS.)	2	
22	998-007	BLADE HOLDER	1	
23	998-001	STATIONARY BLADE	1	
24	998-009	SLOTTED HD. SET SCREW M4X14	1	
25	949-565	LOCK NUT M4 (10 PCS.)	1	
26	938-299	SPRING	1	
27	982-033	SLIDE BAR	1	
28	949-323	FLAT HD. SCREW M4X12 (10 PCS.)	1	
29	938-312	SLIDE KNOB (B)	1	
30	982-020	HOUSING ASS'Y	1	INCLUD.36
31		NAME PLATE	1	
* 32		LABEL	1	FOR FRA
33	982-023	BEARING BUSHING	1	
34	937-847	BRUSH CAP	2	
35	999-021	CARBON BRUSH (1 PAIR)	2	
36	937-846	BRUSH HOLDER	2	
37	957-561	HITACHI LABEL	1	
38	982-034	TAPPING SCREW (W/WASHER) D4X12	1	
39	980-778	SLIDE SWITCH (2P PILLAR TYPE)	1	
* 40	982-044	SWITCH HOLDER	1	
* 40	982-045Z	SWITCH HOLDER	1	FOR SUI

*: ALTERNATIVE PARTS

PARTS

ITEM NO.	CODE NO.	DESCRIPTION	NO. USED	REMARKS
41	984-750	TAPPING SCREW (W/FLANGE) D4X16	5	
* 42	994-273	NOISE SUPPRESSOR	1	
* 43	980-063	TERMINAL	1	
* 43	959-144	TERMINAL 50051 (10 PCS.)	1	FOR SUI
* 44	981-373	TUBE (D)	2	FOR NOISE SUPPRESSOR
* 45	953-327	CORD ARMOR D8.8	1	
* 45	938-051	CORD ARMOR D10.1	1	
46	982-035	TAIL COVER	1	
* 47	500-201Z	CORD	1	(CORD ARMOR D10.1)
* 47	500-223Z	CORD	1	(CORD ARMOR D10.1) FOR SIN,KUW
* 47	500-226Z	CORD	1	(CORD ARMOR D8.8) FOR AUS,NZL,NGU
* 47	500-240Z	CORD	1	(CORD ARMOR D8.8) FOR USA,CAN
* 47	500-245Z	CORD	1	(CORD ARMOR D10.1) FOR SYR
* 47	500-247Z	CORD	1	(CORD ARMOR D10.1) FOR ITA,FRG,FRA, HOL,DEN,SWE,AUT,NOR,FIN
* 47	500-248Z	CORD	1	(CORD ARMOR D10.1) FOR SUI
* 47	500-409Z	CORD	1	(CORD ARMOR D8.8) FOR INA,SUR
* 47	971-675Z	CORD	1	(CORD ARMOR D8.8) FOR GBR (110V),SAF
* 47A	500-436Z	CORD	1	(CORD ARMOR D8.8) FOR GBR (240V)
48	980-288	CORD CLIP	1	
* 49	982-303	INTERNAL WIRE	1	
* 50	981-373	TUBE (D)	2	FOR CORD

STANDARD ACCESSORIES

ITEM NO.	CODE NO.	DESCRIPTION	NO. USED	REMARKS
501	943-277	HEX. BAR WRENCH 3MM	1	
502	955-525	THICKNESS GAUGE	1	

OPTIONAL ACCESSORIES

ITEM NO.	CODE NO.	DESCRIPTION	NO. USED	REMARKS
* 601	302-355	PIECE. BOLT SET	1	FOR DEN

* : ALTERNATIVE PARTS

ITEM NO.	CODE NO.	DESCRIPTION	NO. USED	REMARKS	