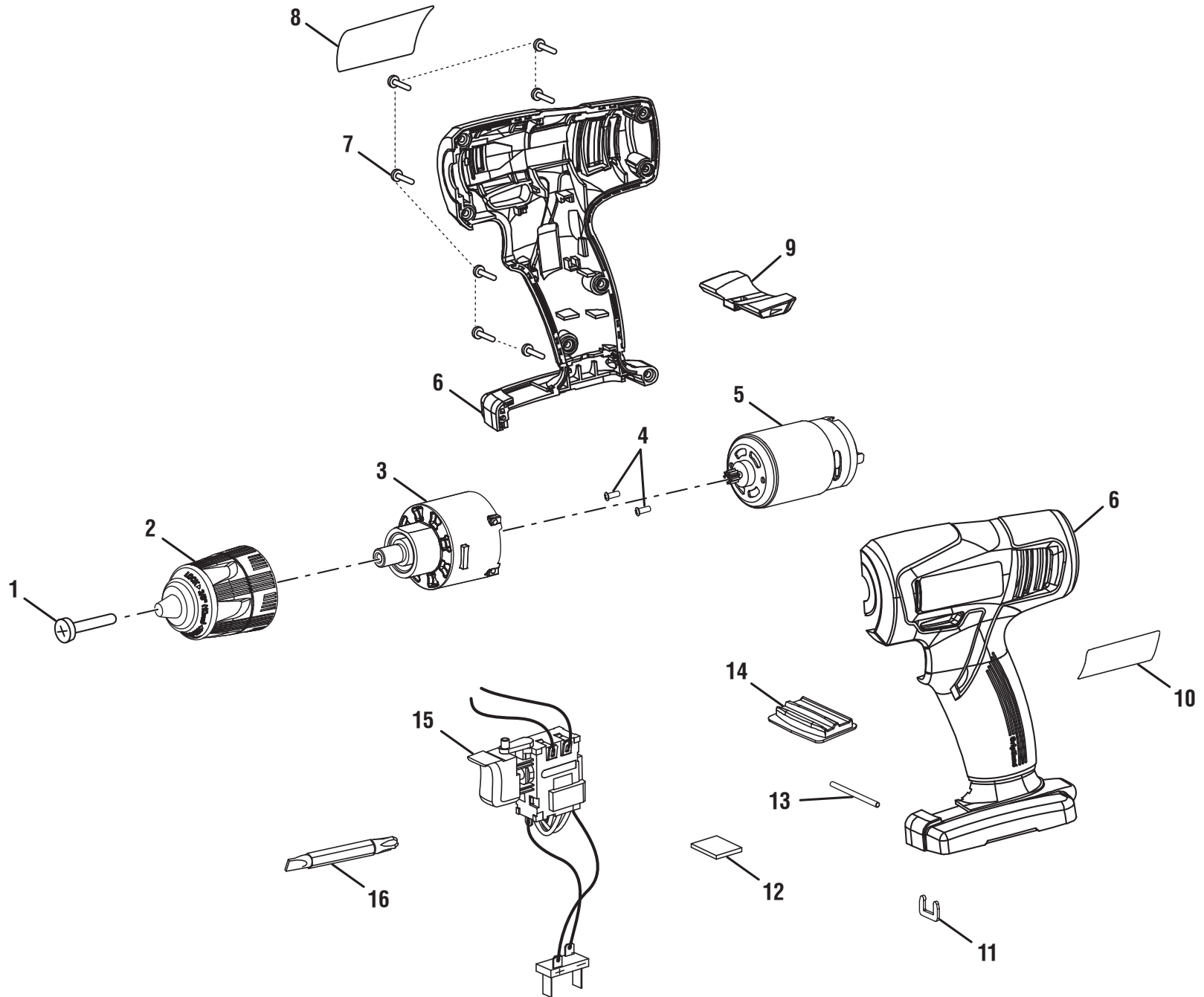


RYOBI 12 VOLT CORDLESS DRILL-DRIVER – MODEL NO. CD100



RYOBI 12 VOLT CORDLESS DRILL-DRIVER – MODEL NO. CD100

The model number will be found on a label attached to the motor housing. Always mention the model number in all correspondence regarding your **12 VOLT DRILL-DRIVER** or when ordering repair parts.

PARTS LIST

KEY NO.	PART NUMBER	DESCRIPTION	QTY.	KEY NO.	PART NUMBER	DESCRIPTION	QTY.
1	6612002	Screw (M5 x 26 mm).....	1	12	671479004	Magnet.....	1
2	690033085	Chuck.....	1	13	632341001	Housing Pin	1
3	220009120	Gear Box Assembly	1	14	561964001	Rubber Bit Holder	1
4	6621106	Screw (M3 x 6 mm).....	2	15	270001455	Switch Assembly	1
5	230006008	Motor Assembly.....	1	16	6782045	Double Bit (PH2 S6).....	1
6	340565001	Housing Assembly	1	Not Shown:			
7	660203058	Screw (M3 x 14 mm).....	7	902033011	Tool Bag.....	1	
8	940976541	Data Label.....	1	987000697	Operator's Manual (961067214)		
9	516750002	Forward/Reverse Button.....	1	4-17-12			
10	940114155	Logo Label.....	1	(Rev:02)			
11	632340001	Housing Clip	1				