

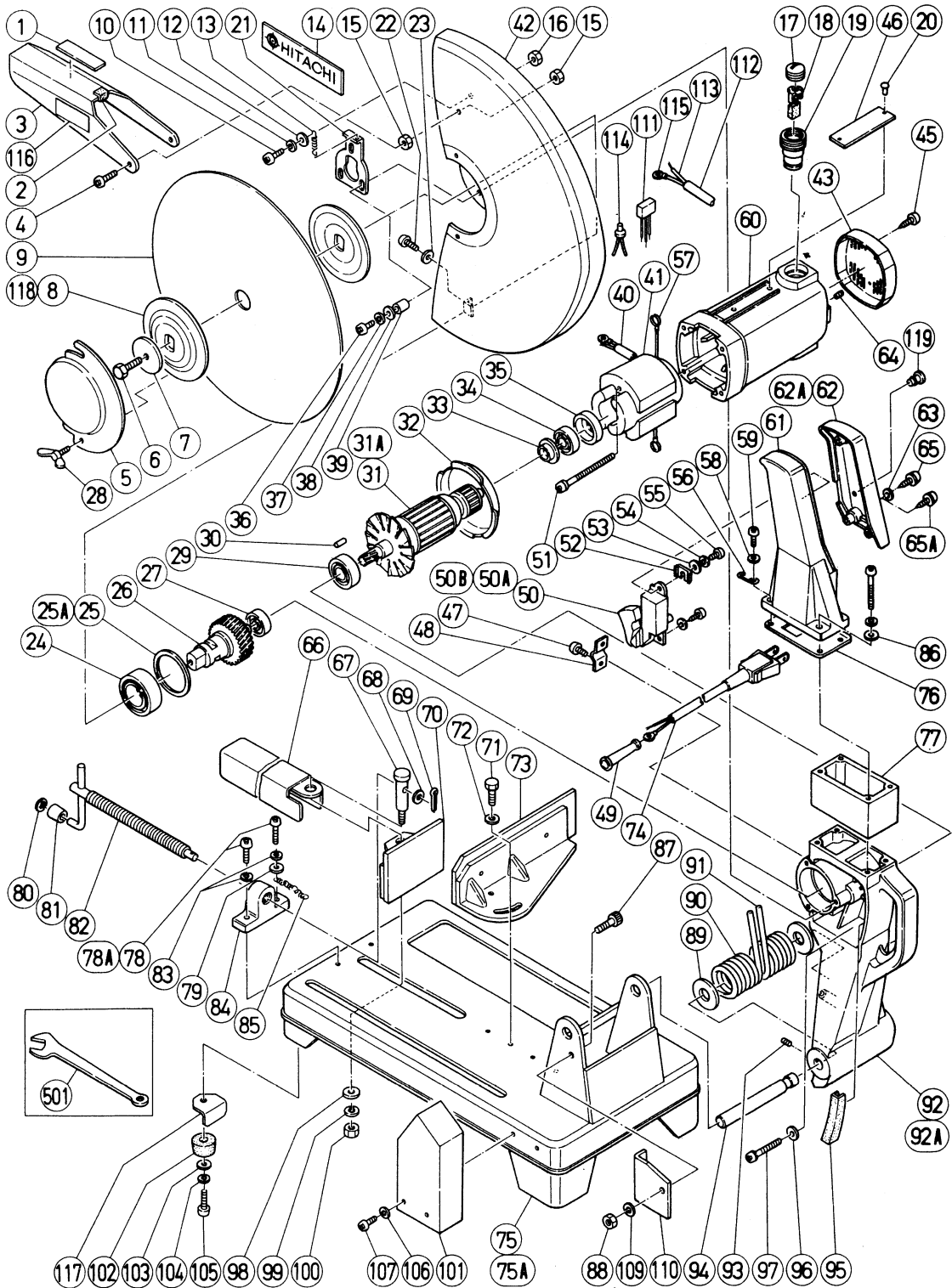
## ELECTRIC TOOL PARTS LIST

■ CUT-OFF MACHINE

1990·4·18

Model CC 16SA

CC 16SA(E2)



## PARTS

CC 16SA

ITEM NO.	CODE NO.	DESCRIPTION	NO. USED	REMARKS
1	934-526	MARK PLATE	1	
2	951-880Z	COVER PACKING	1	
* 3	951-902Z	SAFETY COVER ASS'Y	1	INCLUD.2
* 3	951-915	SAFETY COVER (A) ASS'Y	1	INCLUD.2 FOR USA
4	949-256	MACHINE SCREW M6X16 (10 PCS.)	2	
5	951-905Z	SUB COVER	1	
6	951-480	SCREW (G)	1	
7	965-724	WASHER (A)	1	
* 8	951-479	WHEEL WASHER	2	
* 8	951-918	WHEEL WASHER	2	FOR AUS
* 9	949-090	CUT-OFF WHEELS 405MM (10 PCS.)	1	
* 9	951-911Z	CUT-OFF WHEELS 405MM-D25.4 HOLE (5 PCS.)	1	FOR USA,CAN
10	949-215	MACHINE SCREW M4X8 (10 PCS.)	1	
11	949-453	SPRING WASHER M4 (10 PCS.)	1	
12	949-429	BOLT WASHER M4 (10 PCS.)	1	
13	951-876Z	STOPPER SPRING	1	
14	951-653	HITACHI LABEL	1	
15	949-556	NUT M6 (10 PCS.)	4	
16	949-554	NUT M4 (10 PCS.)	1	
17	978-445	BRUSH CAP	2	
* 18	999-044	CARBON BRUSH (1 PAIR)	2	
* 18	999-081Z	CARBON BRUSH 110V-120V AUTO STOP(1 PAIR)	2	
* 18	999-082Z	CARBON BRUSH 220V-240V AUTO STOP(1 PAIR)	2	
19	974-567	BRUSH HOLDER	2	
20	949-510	RIVET D2.5X4.8 (10 PCS.)	2	
21	951-853Z	STOPPER	1	
22	949-237	MACHINE SCREW M5X12 (10 PCS.)	1	
23	949-431	BOLT WASHER M5 (10 PCS.)	1	
24	620-6VV	BALL BEARING 6206VVCMP2S	1	
25	951-516	BEARING COLLAR	1	TILL 2.1988
25A	978-965	BEARING COLLAR	1	SINCE 3.1988
26	951-873Z	SPINDLE	1	
27	620-1VV	BALL BEARING 6201VVCMP2S	1	
28	949-394	WING BOLT M6X10 (10 PCS.)	2	
29	620-2VV	BALL BEARING 6202VVCMP2S	1	
30	946-362	BEARING LOCK	1	
* 31	951-908D	ARMATURE 120V	1	
* 31	951-875E	ARMATURE 220V-230V	1	
* 31	951-875F	ARMATURE 240V	1	
* 31A	951-908U	ARMATURE ASS'Y 110V-115V	1	INCLUD.29,33,34
32	951-872	FAN GUIDE	1	
33	951-869Z	DUST SEAL	1	
34	630-0VV	BALL BEARING 6300VVCMAV2S	1	
35	951-878	BEARING BUSHING	1	
36	949-260	MACHINE SCREW M6X25 (10 PCS.)	3	
37	949-455	SPRING WASHER M6 (10 PCS.)	3	
38	967-329	WASHER (H)	3	
39	951-910Z	COLLAR (F)	3	
40	951-916	VINYL TUBE	1	
* 41	951-909E	STATOR ASS'Y 220V-230V	1	INCLUD.57
* 41	951-909C	STATOR ASS'Y 110V-115V	1	INCLUD.57
* 41	951-909D	STATOR ASS'Y 120V	1	INCLUD.57

\* : ALTERNATIVE PARTS

04-90

## PARTS

CC 16SA

ITEM NO.	CODE NO.	DESCRIPTION	NO. USED	REMARKS
* 41	951-909F	STATOR ASS'Y 240V	1	INCLUD.57
* 42	951-904Z	WHEEL COVER	1	
* 42	951-919	WHEEL COVER	1	FOR AUS
43	974-571	TAIL COVER	1	
45	974-572	TAPPING SCREW D4X10	2	
46		NAME PLATE	1	
47	949-216	MACHINE SCREW M4X10 (10 PCS.)	2	
48	934-028	CORD CLIP	1	
49	940-778	CORD ARMOR D10.7	1	
* 50	951-864Z	SWITCH (2P PILLAR TYPE) W/LOCK	1	
* 50A	952-770	SWITCH AND HANDLE COVER SET	1	INCLUD.50B,62A,119 FOR USA
* 50B	952-771	SWITCH (A) (2P SCREW TYPE) W/LOCK	1	SINCE 8.1989 FOR USA
51	951-868Z	TAPPING SCREW (W/SP.WASHER) D5X80	2	
52	955-835H	SET PIECE	1	
53	949-429	BOLT WASHER M4 (10 PCS.)	1	
54	949-453	SPRING WASHER M4 (10 PCS.)	2	
55	974-572	TAPPING SCREW D4X10	2	
56	968-523	CHAIN HOOK	1	
57	998-744	BRUSH TERMINAL	2	
58	949-455	SPRING WASHER M6 (10 PCS.)	4	
59	966-136	MACHINE SCREW M6X70	4	
60	951-867	HOUSING ASS'Y	1	INCLUD.19,35,64
61	951-862Z	SWITCH HANDLE	1	
* 62	951-863Z	HANDLE COVER	1	
* 62A	951-897	HANDLE COVER	1	FOR USA
* 63	949-429	BOLT WASHER M4 (10 PCS.)	3	FOR USA,CAN
64	949-365	SLOTTED HD. SET SCREW M4X5 (10 PCS.)	2	
* 65A	988-889	TAPPING SCREW (W/WASHER) D4X25	3	
* 65	977-126	TAPPING SCREW (W/SP.WASHER) D4X25	3	FOR USA,CAN
66	951-859Z	SCREW COVER	1	
67	951-850	BOLT (H)	1	
68	949-433	BOLT WASHER M8 (10 PCS.)	2	
69	949-537	SPLIT PIN D3X15 (10 PCS.)	1	
70	951-845	WISE (A)	1	
71	949-638	BOLT M10X20 (10 PCS.)	2	
72	949-434	BOLT WASHER M10 (10 PCS.)	1	
73	951-914	WISE (B)	1	
* 74	500-214Z	CORD	1	
* 74	500-242Z	CORD	1	FOR CAN,USA
* 74	952-801Z	CORD	1	FOR SRI,HKG
* 74	952-805Z	CORD	1	FOR AUS
* 74	952-806Z	CORD	1	FOR HOL,FRG
* 75	951-903Z	BASE ASS'Y	1	INCLUD.102-105
* 75	951-913	BASE ASS'Y	1	INCLUD.102-105 FOR AUS,USA
76	951-877Z	SWITCH PLATE	1	
77	951-900Z	SUB HANDLE	1	
* 78A	978-930	BOLT (W/WASHERS) M8X25	2	
* 78	949-789	MACHINE SCREW M8X25 (10 PCS.)	2	FOR USA,CAN
* 79	949-426	WASHER M8 (10 PCS.)	1	FOR USA,CAN
80	955-479	RETAINING RING (E-TYPE) FOR D6 SHAFT	1	
81	971-563	COLLAR	1	
82	951-472	SCREW ASS'Y	1	INCLUD.80,81

## PARTS

CC 16SA

ITEM NO.	CODE NO.	DESCRIPTION	NO. USED	REMARKS
* 83	949-457	SPRING WASHER M8 (10 PCS.)	2	FOR USA,CAN
84	951-846	FEMALE SCREW	1	
85	968-520	CHAIN	1	
86	949-432	BOLT WASHER M6 (10 PCS.)	3	
87	949-760	HEX. SOCKET HD. BOLT M8X25 (10 PCS.)	1	
88	949-558	NUT M8 (10 PCS.)	1	
89	955-818	BOLT WASHER M16	2	
90	951-476	SPRING (B)	1	
91	951-475	SPRING (A)	1	
92A	951-847	GEAR CASE ASS'Y	1	INCLUD.25A
93	971-884	HEX. SOCKET SET SCREW M5X16	1	
94	951-474	SHAFT	1	
95	955-868	RUBBER CUSHION	1	
96	949-432	BOLT WASHER M6 (10 PCS.)	4	
97	951-871	TAPPING SCREW (W/SP.WASHER) D5X50	4	
98	965-077	SPECIAL WASHER	1	
99	949-458	SPRING WASHER M10 (10 PCS.)	1	
100	949-560	NUT M10 (10 PCS.)	1	
101	951-477	SPARK SHOOT	1	
* 102	964-851	BASE RUBBER	3	
* 102	964-851	BASE RUBBER	4	FOR AUS,USA
* 103	949-432	BOLT WASHER M6 (10 PCS.)	3	
* 103	949-432	BOLT WASHER M6 (10 PCS.)	4	FOR AUS,USA
* 104	949-455	SPRING WASHER M6 (10 PCS.)	3	
* 104	949-455	SPRING WASHER M6 (10 PCS.)	4	FOR AUS,USA
* 105	949-256	MACHINE SCREW M6X16 (10 PCS.)	3	
* 105	949-256	MACHINE SCREW M6X16 (10 PCS.)	4	FOR AUS,USA
106	949-454	SPRING WASHER M5 (10 PCS.)	4	
107	949-236	MACHINE SCREW M5X10 (10 PCS.)	2	
108	951-906Z	SCREW VISE ASS'Y	1	INCLUD.67-70,80,84,98-100
109	949-457	SPRING WASHER M8 (10 PCS.)	1	
110	951-917	STOPPER (A)	1	
* 111	965-141	NOISE SUPPRESSOR	1	FOR FRG
* 112		VINYL TUBE (ID6XT0.6X130)	1	FOR FRG
* 113		INTERNAL WIRE	1	FOR FRG
* 114	959-140	CONNECTOR 50091 (10 PCS.)	1	FOR FRG
* 115	938-108	TERMINAL	1	FOR FRG
116		CAUTION PLATE	1	
* 117	951-888	BASE RUBBER PLATE	1	FOR AUS,USA
* 118	951-840	WHEEL WASHER	4	FOR AUS
* 119	951-895	LOCK OFF BUTTON	1	FOR USA

## STANDARD ACCESSORIES

ITEM NO.	CODE NO.	DESCRIPTION	NO. USED	REMARKS
501	951-211	WRENCH 17MM	1	