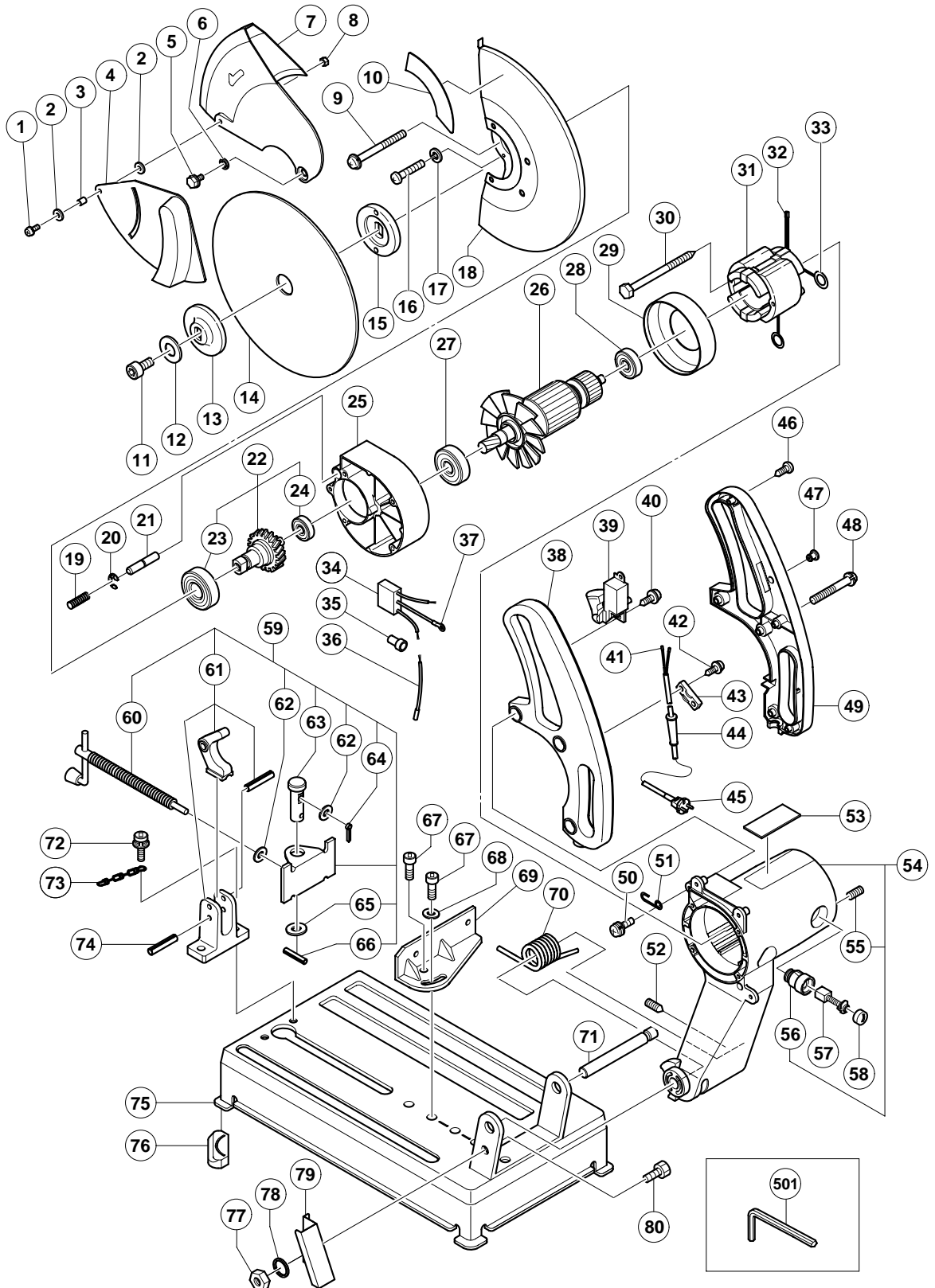


ELECTRIC TOOL PARTS LIST

■ CUT-OFF MACHINE Model CC 14SE

2002・9・30
(E1)



PARTS

CC 14SE

ITEM NO.	CODE NO.	DESCRIPTION	NO. USED	REMARKS
* 1	996-247	MACHINE SCREW (W/WASHERS) M5X12 (BLACK)	1	FOR AUS, GBR, SAF, YEN, EUROPE, NOR, SWE, DEN, FIN
* 2	306-985	WASHER (H)	2	FOR AUS, GBR, SAF, YEN, EUROPE, NOR, SWE, DEN, FIN
* 3	305-168	SPACER	1	FOR AUS, GBR, SAF, YEN, EUROPE, NOR, SWE, DEN, FIN
* 4	321-253	SUB COVER	1	FOR AUS, GBR, SAF, YEN, EUROPE, NOR, SWE, DEN, FIN
5	321-251	BOLT (W/FLANGE) M8	1	
6	321-252	PLASTIC WASHER	1	
* 7	321-249	SAFETY COVER	1	
* 7	321-250	SAFETY COVER	1	FOR AUS, GBR, SAF, YEN, EUROPE, NOR, SWE, DEN, FIN
* 8	949-555	NUT M5 (10 PCS.)	1	FOR AUS, GBR, SAF, YEN, EUROPE, NOR, SWE, DEN, FIN
9	987-410	MACHINE SCREW (W/SP. WASHER) M5X70	4	
10		HITACHI LABEL	1	
11	949-844	HEX. SOCKET HD. BOLT M10X20 (10 PCS.)	1	
12	965-724	WASHER (A)	1	
* 13	321-247	WHEEL WASHER (A) (W/O D8 HOLE)	1	
* 13	321-255	WHEEL WASHER (B) (W/O D8 HOLE)	1	FOR AUS
* 14	306-858	CUT-OFF WHEEL 355MM (10 PCS.)	1	
* 14	978-958	CUT-OFF WHEEL 355MM (10 PCS.)	1	FOR GBR
* 15	321-246	WHEEL WASHER (A) (W/D8 HOLE)	1	
* 15	321-254	WHEEL WASHER (B) (W/D8 HOLE)	1	FOR AUS
16	949-237	MACHINE SCREW M5X12 (10 PCS.)	1	
17	949-454	SPRING WASHER M5 (10 PCS.)	1	
18	321-248	WHEEL COVER	1	
19	948-363	GAUGE SPRING	1	
20	955-479	RETAINING RING (E-TYPE) FOR D6 SHAFT	1	
21	321-239	STOPPER PIN	1	
22	321-235	SPINDLE ASS'Y	1	INCLUD.23, 24
23	620-6VV	BALL BEARING 6206VVCMP2S	1	
24	600-1VV	BALL BEARING 6001VVCMP2L	1	
25	321-243	GEAR CASE	1	
* 26	360-584U	ARMATURE ASS'Y 110V-120V	1	INCLUD.27, 28
* 26	360-584E	ARMATURE 220V	1	
* 26	360-584F	ARMATURE 230V-240V	1	
27	600-2VV	BALL BEARING 6002VVCMP2L	1	
28	620-0VV	BALL BEARING 6200VVCMP2L	1	
29	306-098	FAN GUIDE	1	
30	960-251	HEX. HD. TAPPING SCREW D5X65	2	
* 31	340-533C	STATOR ASS'Y 110V	1	INCLUD.32, 33
* 31	340-533H	STATOR ASS'Y 120V	1	INCLUD.32, 33
* 31	340-533E	STATOR ASS'Y 220V	1	INCLUD.32, 33
* 31	340-533F	STATOR ASS'Y 230V-240V	1	INCLUD.32, 33
* 31	340-533G	STATOR ASS'Y 110V	1	INCLUD.33 FOR TPE, GBR (110V)
* 31	340-533J	STATOR ASS'Y 230V-240V	1	INCLUD.33 FOR NZL, FIJ, GBR (230V), SAF, YEN, EUROPE, NOR, SWE, DEN, FIN, AUS
32	981-373	TUBE (D)	2	
33	945-932	BRUSH TERMINAL	2	

PARTS

ITEM NO.	CODE NO.	DESCRIPTION	NO. USED	REMARKS	
* 34	930-039	NOISE SUPPRESSOR	1	FOR TPE, GBR (110V)	
* 34	994-273	NOISE SUPPRESSOR	1	FOR NZL, FIJ, GBR (230V), SAF, YEN, EUROPE, NOR, SWE, DEN, FIN, AUS	
* 35	959-141	CONNECTOR 50092 (10 PCS.)	2	FOR TPE, NZL, FIJ, AUS, GBR, SAF, YEN, EUROPE, NOR, SWE, DEN, FIN	
* 36	321-423	INTERNAL WIRE	2	FOR TPE, NZL, FIJ, AUS, GBR, SAF, YEN, EUROPE, NOR, SWE, DEN, FIN	
* 37	938-108	TERMINAL	1	FOR NZL, FIN, GBR (230V), SAF, YEN, EUROPE, NOR, SWE, DEN, FIN, AUS	
	38	321-240	HANDLE	1	
* 39	951-864	SWITCH (2P PILLAR TYPE) W/LOCK	1		
* 39	976-825	SWITCH (2P PILLAR TYPE) W/LOCK	1	FOR GBR, SAF, YEN, EUROPE, NOR, SWE, DEN, FIN	
* 39	951-894	SWITCH (2P PILLAR TYPE) W/LOCK	1	FOR USA, CAN	
	40	305-720	TAPPING SCREW (W/FLANGE) D4X12	1	
	41	981-373	TUBE (D)	2	
	42	984-750	TAPPING SCREW (W/FLANGE) D4X16	2	
	43	937-631	CORD CLIP	1	
* 44	953-327	CORD ARMOR D8.8	1		
* 44	938-051	CORD ARMOR D10.1	1		
* 45	500-234Z	CORD	1	(CORD ARMOR D8.8)	
* 45	500-245Z	CORD	1	(CORD ARMOR D10.1) FOR SYR, JOR, PAK, ARG, YEN, URU, CIS, BRA, CHI, LIB, MRI	
* 45	500-423Z	CORD	1	(CORD ARMOR D8.8) FOR SIN, MAL, SRI, KUW, CYP, KEN, QAT, MLT, UAE	
* 45	500-214Z	CORD	1	(CORD ARMOR D10.1) FOR TPE, VEN, CRC, COL, ESA, PAN, DOM, GUA	
* 45	500-201Z	CORD	1	(CORD ARMOR D10.1) FOR THA, PHI, PER, BRN, BAN, BOL, TUN, MOZ	
* 45	500-439Z	CORD	1	(CORD ARMOR D8.8) FOR NZL, FIJ, AUS	
* 45	500-435Z	CORD	1	(CORD ARMOR D8.8) FOR HKG, GBR (230V)	
* 45	500-453Z	CORD	1	(CORD ARMOR D10.1) FOR USA, CAN	
* 45	500-396Z	CORD	1	(CORD ARMOR D8.8) FOR GBR (110V)	
* 45	500-455Z	CORD	1	(CORD ARMOR D8.8) FOR CHN	
	46	301-653	TAPPING SCREW (W/FLANGE) D4X20 (BLACK)	3	
* 47	951-895	LOCK-OFF BUTTON	1	FOR USA, CAN	
	48	312-298	MACHINE SCREW (W/WASHERS) M5X35	3	
	49	321-241	HANDLE COVER	1	
	50	307-294	MACHINE SCREW (W/WASHERS) M5X16 (BLACK)	1	
	51	321-234	CHAIN HOOK	1	
	52	318-044	SEAL LOCK HEX. SOCKET SET SCREW M5X16	1	
	53		NAME PLATE	1	
	54	321-242	HOUSING ASS'Y	1	INCLUD.55, 56
	55	938-477	HEX. SOCKET SET SCREW M5X8	2	
	56	957-001	BRUSH HOLDER	2	
	57	999-044	CARBON BRUSH (1 PAIR)	2	
	58	940-540	BRUSH CAP	2	
	59	321-225	WISE ASS'Y	1	INCLUD.60-66
	60	321-226	SCREW	1	
	61	321-227	SCREW HOLDER	1	
	62	949-433	BOLT WASHER M8 (10 PCS.)	2	

PARTS

CC 14SE

ITEM NO.	CODE NO.	DESCRIPTION	NO. USED	REMARKS
63	321-229	BOLT	1	
64	949-537	SPLIT PIN D3X15 (10 PCS.)	1	
65	321-232	WASHER M16	1	
66	949-681	ROLL PIN D5X25 (10 PCS.)	1	
67	949-844	HEX. SOCKET HD. BOLT M10X20 (10 PCS.)	2	
68	949-434	BOLT WASHER M10 (10 PCS.)	1	
69	321-224	WISE (B)	1	
70	321-422	SPRING	1	
71	321-237	HINGE SHAFT	1	
72	307-357	HEX. SOCKET HD. BOLT (WWASHERS) M8X25	2	
73	968-520	CHAIN (6 LINK)	1	
* 74	949-576	ROLL PIN D6X32 (10 PCS.)	1	FOR USA, CAN
75	321-222	BASE	1	
76	321-223	BASE RUBBER	4	
77	949-558	NUT M8 (10 PCS.)	1	
78	949-457	SPRING WASHER M8 (10 PCS.)	1	
79	321-236	SPARK SHOOT	1	
80	949-656	HEX. SOCKET HD. BOLT M8X20 (10 PCS.)	1	

STANDARD ACCESSORIES

ITEM NO.	CODE NO.	DESCRIPTION	NO. USED	REMARKS
501	955-857	HEX. BAR WRENCH 8MM	1	