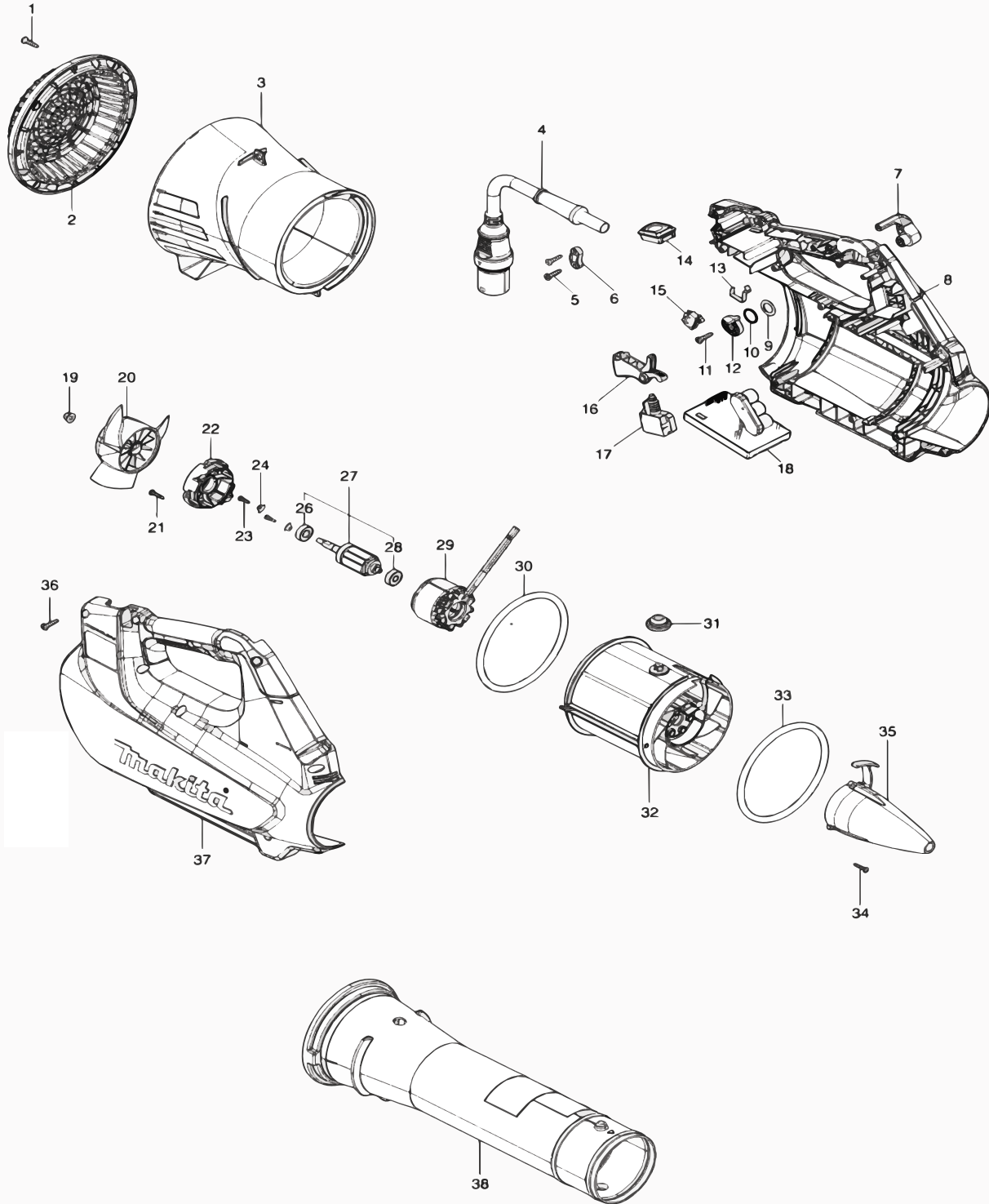




CBU01



Products with multiple versions are listed in subsiding order with the newest version on top not indented.

Section	Fig. No.	Part No.	Description	CBU01	Tech Bulletin	Notes
1	1	266326-2	TAPPING SCREW 4X18	4		
1	2	412749-4	REAR COVER	1		
1	3	140V33-6	REAR HOUSING COMPLETE	1		
1	4	699156-0	POWER SUPPLY CORD UNIT	1		
1	5	266326-2	TAPPING SCREW 4X18	2		
1	6	687149-9	STRAIN RELIEF	1		
1	7	412755-9	CONTROL LEVER	1		INC. 37
1	8	183R62-2	HOUSING SET	1		
1	9	253798-0	FLAT WASHER 13	1		
1	10	213154-6	O RING 14	1		
1	11	266326-2	TAPPING SCREW 4X18	1		
1	12	412754-1	LINK	1		
1	13	232634-3	LEAF SPRING	1		
1	14	140X08-7	SWITCH CIRCUIT COMPLETE	1		
1	15	632L48-2	SWITCH UNIT	1		
1	16	412756-7	SWITCH LEVER	1		
1	17	651436-2	SWITCH C3JW-1A-P-2	1		
1	18	620D15-1	CONTROLLER	1		
1	19	252286-4	COLLARED HEX.LOCK NUT M5- 8	1		
1	20	240177-1	FAN 110	1		
1	21	266130-9	TAPPING SCREW BIND PT 3X16	4		
1	22	412753-3	MOTOR HOUSING COVER	1		
1	23	265893-4	TAPPING SCREW 3X12	2		
1	24	347733-9	RETAINER	2		
1	26	210040-2	BALL BEARING 698LLU	1		
1	27	519639-3	ROTOR ASS'Y	1		INC. 26,28
1	28	210022-4	BALL BEARING 626DDW	1		
1	29	629A15-0	STATOR	1		
1	30	424721-4	RUBBER RING 115	1		
1	31	424194-1	RUBBER RING 8	1		
1	32	412751-7	MOTOR HOUSING	1		
1	33	424721-4	RUBBER RING 115	1		
1	34	266130-9	TAPPING SCREW BIND PT 3X16	3		
1	35	412752-5	CAP	1		

Products with multiple versions are listed in subsiding order with the newest version on top not indented.

Section	Fig. No.	Part No.	Description	CBU01	Tech Bulletin	Notes
1	36	266326-2	TAPPING SCREW 4X18	12		
1	37	183R62-2	HOUSING SET	1		INC. 8
1	38	412757-5	FRONT PIPE	1		
1	A01	191L94-9	BAND ASSEMBLY SET	1		NOT PICTURED
1	A02	412758-3	END NOZZLE 80	1		NOT PICTURED