



Parts List

CB13F

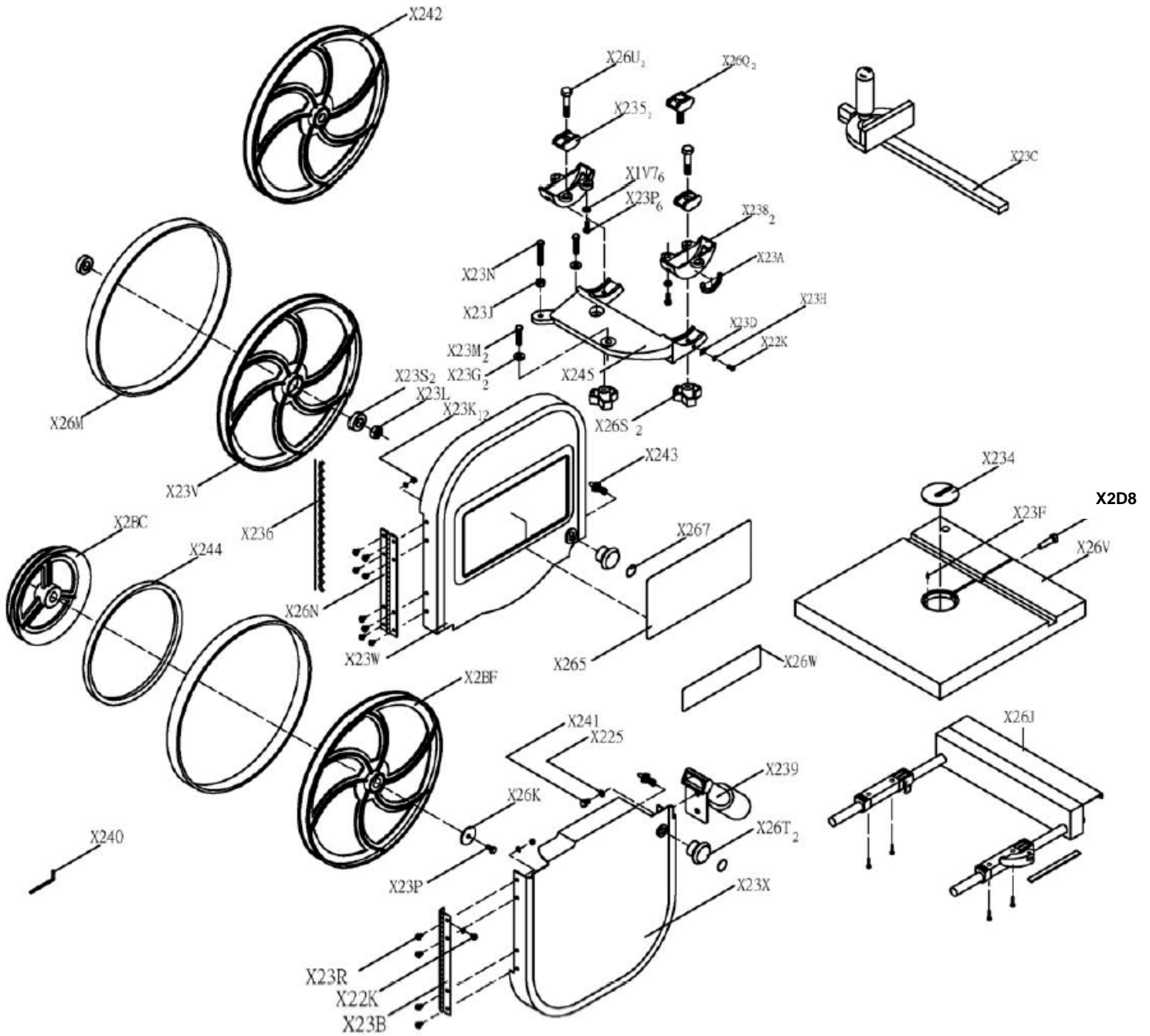
Item #	Code #	DESCRIPTION OF SCHEMATIC "A"	NO USED	Remarks
X1VV	726875	SCREW(CROSS HEAD) W/ WASHER 3/16*3/8	13	
X1W2	726876	CROSS HEAD SCREW 3/16*1/4	2	
X1ZU	726878	STEEL BALL 1/4	1	
X217	726879	BEARING SHAFT	2	
X218	726880	SHAFT OF LOWER WHEEL	1	
X219	726881	SHAFT OF UPPER WHEEL	1	
X21A	726882	POWER CORD STORAE	2	
X21B	726883	GUARD ABS	1	
X21C	726884	HEX. FIXTURE BOLT	2	
X21D	726885	CLIP HEAD	2	
X21E	726886	BLADE GUARD, LOWER	1	
X21F	726887	PLASTIC BRUSH ASSY.	1	
X21G	726888	PIN	2	
X21H	726889	PIN FIXTURE BOLT	2	
X21J	726890	ADJUST KNOB ASSY.	1	
X21K	726891	UPPER WHEEL SHAFT HINGE	1	
X21L	726892	SLIDING BKT.	1	
X21M	726893	GUIDE POST (V TYPE)	1	
X21N	726894	STEEL PIN 1/4*25	4	
X21P	726895	PIN 1/4*16	2	
X21Q	726896	ADJUST SPRING	1	
X21R	726897	SPRING	1	
X21S	726898	STAR KNOB 5/16*2	1	
X21T	726899	KNOB 3/8*1-1/4	1	
X21U	726900	STAR KNOB 5/16*1-1/4	1	
X21V	726901	C RING S-15	1	
X21W	726902	KEY 5*5*54	1	
X21X	726903	FLAT KEY 5*5*32.5	1	
X21Z	726904	TOOTH WASHER 5	2	
X221	726905	STEEL WASHER 5/16-23*2.	10	
X223	726906	FLAT WASHER 3/8*23	1	
X224	726907	FLAT WASHER 3/8*19	1	
X225	726908	FLAT WASHER 1/4	2	
X227	726909	SPRING WASHER 3/4	1	
X228	726910	SQUARE NUT	1	
X229	726911	BUTTERFLY NUT 5/16	1	
X22B	726912	HEX. NUT 3/4	1	
X22C	726913	SCREW (HEADLESS) 5/16*5/16	1	
X22D	726914	SET SCREW 1/4*1/4	5	
X22E	726915	SET SCREW 1/4*1/2	4	
X22F	726916	SET SCREW(HEADLESS) M6*16	1	
X22H	726917	HEADLESS CROSS SCREW 3/16*3/8	2	
X22K	726918	CROSS HEAD SCREW 3/16*3/8	2	
X22L	726919	STRAIN RELIEF BUSHING 6N-4	2	
X22M	726920	SAFETY SWTTCH 4P J9301A	1	
X22N	726921	BALL BEARING 626ZZ	2	
X22P	726922	BALL BEARING 6202ZZ	2	
X22Q	726923	POWER CORD W/PLUG	1	
X22R	726924	POWER CORD W/INSERT PLUG	1	
X22S	726925	BEARING COVER	1	

**Parts List**

**CB13F**

Item #	Code #	DESCRIPTION OF SCHEMATIC "A"	NO USED	Remarks
X22T	726302	LOWER SUPPORT BKT	1	
X22T	726302	LOWER GUIDE HOLDER ASSY.	1	
X22U	726927	Y TYPE BLOCK	2	
X22V	726928	UPPER GUIDE HOLDER ASSY.	1	
X22W	726929	FRAME ARM COVER, LOWER	1	
X22X	726930	FRAME ARM COVER, UPPER	1	
X22Y	726931	UPPER COVER, INNER	1	
X22Z	726932	UPPER ARM	1	
X231	726933	BASE	1	
X232	726934	PLATE	2	
X233	726935	COMPLETED MOTOR W/CORD	1	
X23H	726947	SPRING WASHER 3/16	2	
X23J	726948	HEX.NUT 5/16	4	
X23M	726951	HEX.SCREW 5/16*1-1/4	4	
X23R	726954	SCREW (CROSS HEAD)W/I WASHER 3/16*1/4	2	
X247	726966	CROSS HEAD SCREW W/I WASHER 3/16*1/2	2	
X25U	726971	POST SEAT	1	
X25V	726972	MOTOR LABEL	1	
X25W	726973	GUIDE SUPPORT BRACKET BLADE GUARD	1	
X25X	726974	COPPER WASHER	2	
X25Y	726975	STEEL WASHER 3/16-14	4	
X25Z	726976	FLAT WASHER 3/4	2	
X260	726977	NYLON NUT 3/4	1	
X261	726978	HEX. SCREW 3/8*1-1/2	1	
X262	726979	HEX. SCREW 3/4*2-1/2	1	
X263	726980	HEX. SCREW 1/4*3/4	2	
X264	726981	MOTOR PULLEY Ø50-Ø76	1	
X26C	726985	SPRING PIN Ø3X30	1	
X26P	726990	STEEL WASHER 3/8*19	2	

SCHEMATIC B



**Parts List**

**CB13F**

Item #	Code #	DESCRIPTION OF SCHEMATIC "B"	NO USED	Remarks
X1V7	726874	SPRING WAHSER 5/16	6	
X21P	726895	ALINEMENT PIN, ¼* 16	2	
X225	726908	FLAT WASHER 1/4	2	
X22K	726918	CROSS HEAD SCREW 3/16*3/8	1	
X22K	726918	CROSS HEAD SCREW W/I WASHER 3/16*3/8	4	
X234	726936	TABLE INSERT 2.5mm	1	
X235	726937	TRUNNION CLAMP SHOE	2	
X236	726938	CUTTING BLADE, 80 X 3/8 X 0.5, 6TPI	1	
X238	726939	TRUNNION	2	
X239	726940	DUST COLLECTIOOON HOSE	1	
X23A	726941	SCALE 45°	1	
X23B	726942	HINGE LOWER	1	
X23C	726943	MTTER GAUGE ASSY.	1	
X23D	726944	POINTER MT-2000P	1	
X23F	726945	SPRING PIN Ø3*10	1	
X23G	726946	FLAT WASHER 5/16*18	2	
X23H	726947	SPRING WASHER 3/16	1	
X23J	726948	HEX. NUT 5/16	1	
X23K	726949	NUT 3/16	12	
X23L	726950	HEX. NUT 1/2	1	
X23M	726951	HEX. SCREW 5/16*1-1/4	2	
X23N	726952	HEX. SCREW 5/16*1	1	
X23P	726953	HEX. SCREW 1/4*5/8	6	
X23P	726953	HEX.SCREW 1/4*5/8	1	
X23R	726954	CROSS HEAD SCREW W/WASHER 3/16*1/4	12	
X23S	726955	BALL BEARING 6002ZZ	2	
X2BF	726998	LOWER WHEEL	1	
X2BG	726999	UPPER WHEEL	1	
X23W	726956	UPPER DOOR	1	
X23X	726957	LOWER DOOR	1	
X23Z	726958	PULLEY Ø180-Ø163	1	
X240	726959	HEX.WRENCH 3mm	1	
X241	726960	HEX. SCREW 1/4*1/4	2	
X242	726961	UPPER WHEEL ASSEMBLY	1	
X243	726962	SPRING CLIPPER	2	
X244	726963	V-BELT A-26	1	
X245	726964	TRUNNION BRACKET	1	
X265	726982	NAME PLATE	1	
X266	726983	INSTRUCTION MANUAL	1	
X267	726984	PUSH/PULL LABLE	2	
X26J	726986	EXTENSION TUBE W/KNOB RIGHT	1	
X26K	726987	FLAT WASHER FOR LOWER WHEEL	1	
X26M	726988	WHEEL PROTECTOR	2	
X26N	726989	HINGE UPPER	1	
X26Q	726991	CLAMP SHOE ASSEMBLY	1	
X26S	726993	KNOB 10	2	
X26T	726994	KNOB 3/8	2	

**Parts List**

**CB13F**

Item #	Code #	DESCRIPTION OF SCHEMATIC "B"	NO USED	Remarks
X26U	726995	HEX. SCREW M10*40	2	
X26V	726996	TABLE	1	
X26W	726997	WARNING LABEL	1	
X2D8	726287	Table Pin	1	
		<u>Optional Accessories:</u>		
	726294	METAL 3/8", BAND SAW BLADE, 80"x3/8"x0.65mm, 14TPI		
	726298	WOOD 1/2", BAND SAW BLADE, 80x1/2"x0.5mm, 6TPI		
	726299	WOOD 1/4", BAND SAW BLADE, 80x1/4"x0.5mm, 6TPI		
	725000	STAND ASS'Y		

# STAND

