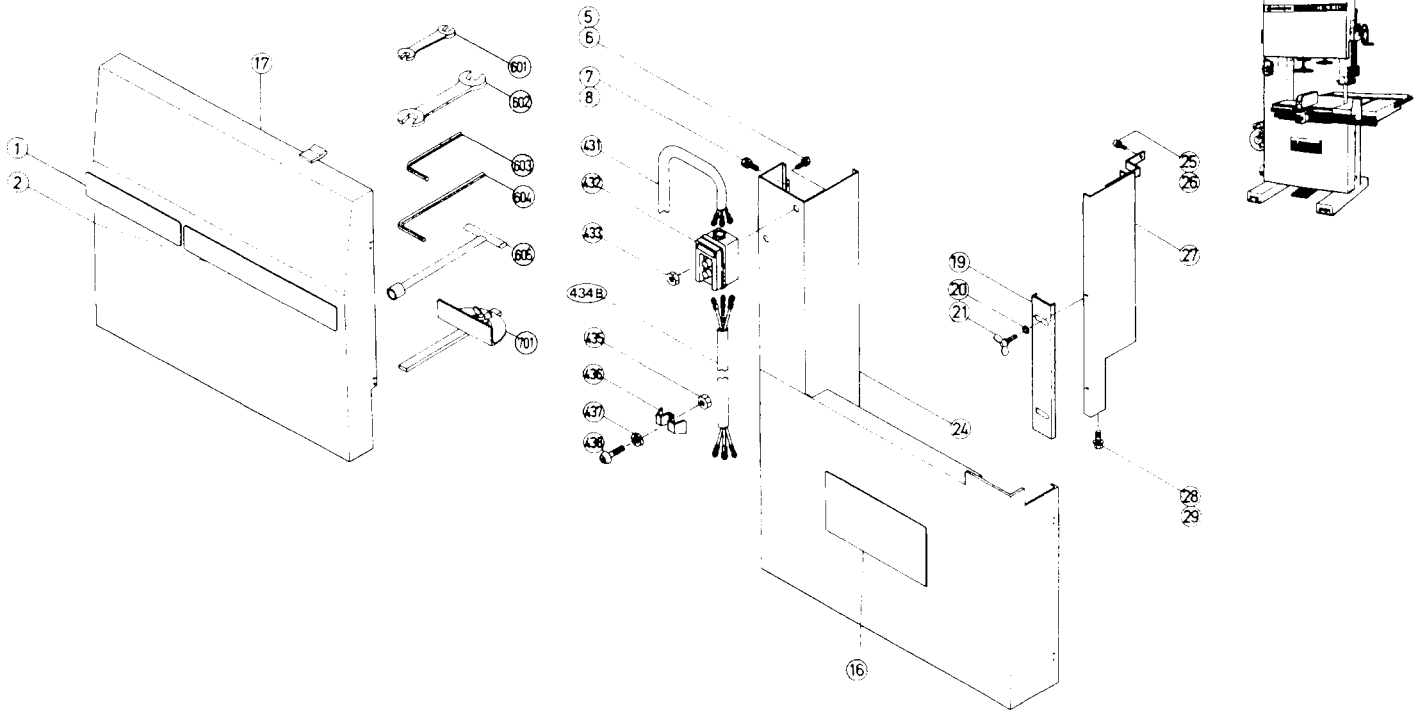




HITACHI

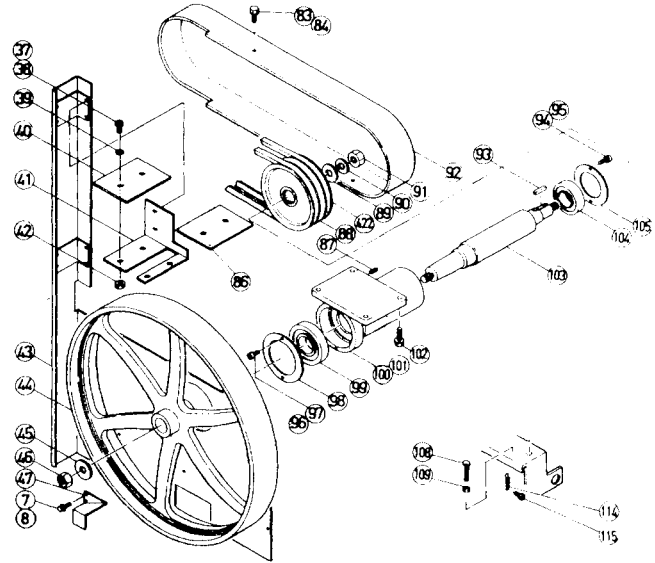
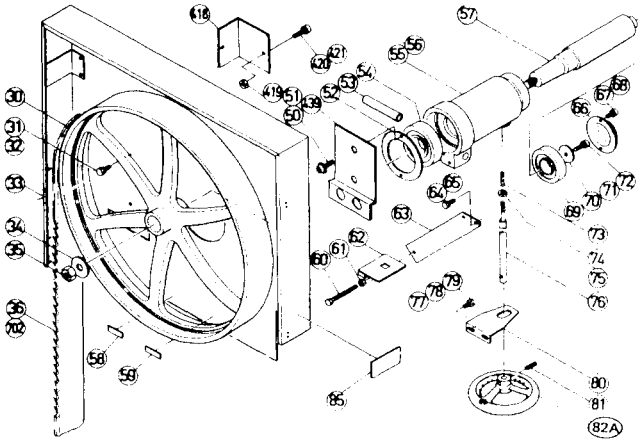
BAND SAW

Model CB 100F

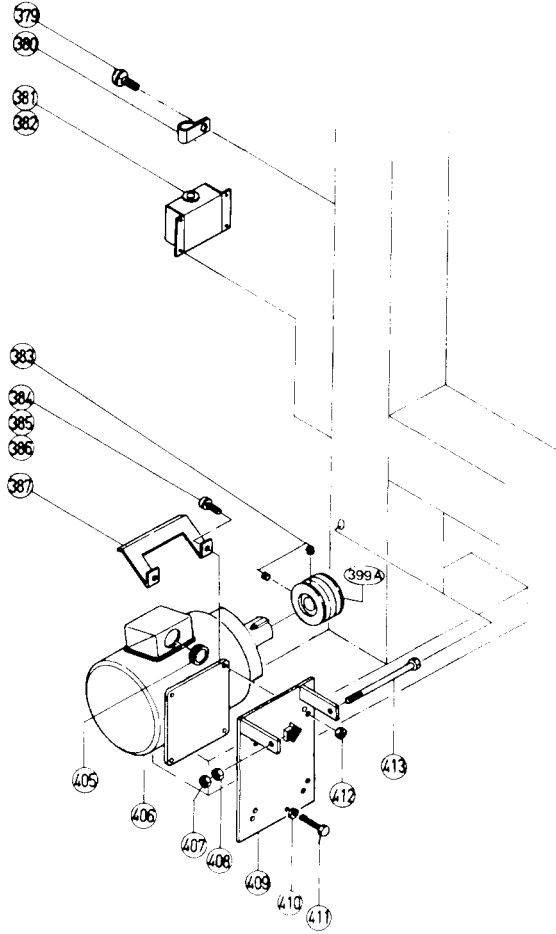


IMPORTANT-To assure product SAFETY and RELIABILITY, repairs, maintenance or adjustments should be performed by HITACHI Service Centers or other qualified service organizations. Always use HITACHI replacement parts.

| ITEM NO. | PART NO. | NO. USED | DESCRIPTION | SUPPLY Q'TY | ITEM NO. | PART NO. | NO. USED | DESCRIPTION | SUPPLY Q'TY |
|----------|----------|----------|---------------------|-------------|----------|----------|----------|--|-------------|
| 1 | 975579 | 1 | HITACHI Label | | 42 | 949555 | 4 | Nut M5 | 10 |
| 2 | 988517 | 1 | HITACHI Label (B) | | 43 | 988496 | 1 | Cover (A) | |
| 5 | 949216 | 2 | Machine Screw M4×10 | 10 | 44 | 974105 | 1 | Saw Wheel | |
| 6 | 949453 | 2 | Spring Washer M4 | 10 | 45 | 965715 | 1 | Washer (B) | |
| 7 | 949613 | 24 | Bolt M6×16 | 10 | 46 | 948510 | 1 | Left Hand Nut M20 | |
| 8 | 949455 | 24 | Spring Washer M6 | 10 | 47 | 974767 | 1 | Cover Plate (A) | |
| 17 | 988498 | 1 | Cover (E) | | 50 | 949256 | 2 | Machine Screw M6×16 | 10 |
| 19 | 974785 | 1 | Safety Cover (B) | | 51 | 949455 | 2 | Spring Washer M6 | 10 |
| 20 | 949431 | 2 | Bolt Washer M5 | 10 | 52 | 974103 | 1 | Bearing Cover (A) | |
| 21 | 949397 | 2 | Wing Bolt M5×10 | 10 | 53 | 965725 | 1 | Pin (A) | |
| 24 | 988530 | 1 | Cover (F) | | 55 | 974151 | 1 | Casing (B) Assembly (includes Item 50 – 52,54,56,57,66 – 72) | |
| 25 | 949613 | 1 | Bolt M6×16 | 10 | 58 | 968331 | 1 | Mark Plate (B) | |
| 26 | 949455 | 1 | Spring Washer M6 | 10 | 59 | 975571 | 1 | Mark Plate (A) | |
| 27 | 974784 | 1 | Safety Cover | | 60 | 967104 | 1 | Screw (D) | |
| 28 | 949622 | 1 | Bolt M8×16 | 10 | 61 | 949558 | 3 | Nut M8 | 10 |
| 29 | 949457 | 1 | Spring Washer M8 | 10 | 62 | 974173 | 1 | Duster (B) | |
| 30 | 974105 | 1 | Saw Wheel | | 63 | 974172 | 1 | Duster Arm | |
| 31 | 949622 | 1 | Bolt M8×16 | 10 | 64 | 949755 | 2 | Hexagon Socket Head Bolt M6×16 | 10 |
| 32 | 949457 | 1 | Spring Washer M8 | 10 | 65 | 949455 | 2 | Spring Washer M6 | 10 |
| 33 | 988497 | 1 | Cover (D) | | 66 | 974153 | 1 | Bearing Cover (C) | |
| 34 | 965715 | 1 | Washer (B) | | 67 | 949256 | 2 | Machine Screw M6×16 | 10 |
| 35 | 948510 | 1 | Left Hand Nut M20 | | 68 | 949455 | 2 | Spring Washer M6 | 10 |
| 36 | 974100 | 1 | Band Saw Blade (A) | | 69 | 6307ZZ | 1 | Ball Bearing 6307ZZCMLS2S | |
| 36 A | 939973 | 1 | Band Saw Blade (C) | | 70 | 965724 | 1 | Washer (A) | |
| 37 | 949237 | 4 | Machine Screw M5×12 | 10 | 71 | 949638 | 1 | Bolt M10×20 | 10 |
| 38 | 949454 | 4 | Spring Washer M5 | 10 | 72 | 949458 | 1 | Spring Washer M10 | 10 |
| 39 | 949431 | 4 | Bolt Washer M5 | 10 | 73 | 965342 | 1 | Metal Spring (C) | |
| 40 | 974769 | 1 | Rubber Packing | | 74 | 949437 | 1 | Bolt Washer M12 | 10 |
| 41 | 974768 | 1 | Cover Plate (C) | | | | | | |



| ITEM NO. | PART NO. | NO. USED | DESCRIPTION | SUPPLY Q'TY | ITEM NO. | PART NO. | NO. USED | DESCRIPTION | SUPPLY Q'TY |
|----------|----------|----------|---|-------------|----------|----------|----------|---|-------------|
| 75 | 936305 | 1 | Washer (A) | | 114 | 965779 | 2 | Brake Spring | |
| 76 | 974161 | 1 | Knob Shaft | | 115 | 949256 | 4 | Machine Screw M6×16 | 10 |
| 77 | 949613 | 2 | Bolt M6×16 | 10 | 116 | 965716 | 1 | Slide Frame | |
| 78 | 949455 | 2 | Spring Washer M6 | 10 | 117 | 949672 | 4 | Bolt M12×35 | 10 |
| 79 | 949432 | 2 | Washer M6 | 10 | 118 | 949463 | 4 | Spring Washer M12 | 10 |
| 80 | 974202 | 1 | Knob Safety Stay | | 119 | 974158 | 1 | Liner | |
| 81 | 949746 | 1 | Roll Pin 5×32 | 10 | 120 | 949628 | 3 | Bolt M8×30 | 10 |
| 82 A | 988976 | 1 | Round Handle | | 121 | 949558 | 3 | Nut M8 | 10 |
| 83 | 949610 | 3 | Bolt M6×10 | 10 | 122 | 949630 | 1 | Bolt M8×40 | 10 |
| 84 | 949455 | 3 | Spring Washer M6 | 10 | 123 | 949558 | 1 | Nut M8 | 10 |
| 86 | 974770 | 1 | Rubber Packing (B) | | 124 | 974166 | 1 | Balance Weight | |
| 87 | 949878 | 2 | Roll Pin 8×20 | 10 | 125 | 949633 | 1 | Bolt M8×50 | 10 |
| 88 | 974106 | 1 | Pulley (D) | | 126 | 949558 | 1 | Nut M8 | 10 |
| 89 | 965715 | 1 | Washer (B) | | 132 | 974167 | 1 | Scale Arm | |
| 90 | 949745 | 1 | Spring Washer M20 | 10 | 133 | 949254 | 1 | Machine Screw M6×10 | 10 |
| 91 | 948530 | 1 | Nut M20 | | 134 | 949455 | 1 | Spring Washer M6 | 10 |
| 92 | 988528 | 1 | Belt Cover | | 135 | 974160 | 1 | Pin (B) | |
| 93 | 965797 | 1 | Feather Key 10×8×35 | | 137 | 966413 | 1 | Feather Key 5×5×20 | |
| 94 | 949256 | 2 | Machine Screw M6×16 | 10 | 138 | 974165 | 1 | Shaft (B) | |
| 95 | 949455 | 2 | Spring Washer M6 | 10 | 139 | 974162 | 1 | Bearing Shaft Assembly (includes Item No.140,157 - 160) | |
| 96 | 949256 | 2 | Machine Screw M6×16 | 10 | 141 | 949616 | 2 | Bolt M6×25 | 10 |
| 97 | 949455 | 2 | Spring Washer M6 | 10 | 142 | 974159 | 1 | Link | |
| 98 | 974103 | 1 | Bearing Cover (A) | | 143 | 968247 | 1 | Set Screw M6×10 | 10 |
| 100 | 974102 | 1 | Casing (A) Assembly (includes Item 96 - 99,101,103,104,105) | | 144 | 949746 | 1 | Roll Pin M5×32 | 10 |
| 102 | 951688 | 4 | Bolt M12×40 | | 145 | 974163 | 1 | Shaft Holder | |
| 105 | 974104 | 1 | Bearing Cover (B) | | 146 | 949676 | 1 | Bolt M6×12 | 10 |
| 108 | 967594 | 1 | High Tension Bolt M8 | | 147 | 949455 | 1 | Spring Washer M6 | 10 |
| 109 | 949558 | 1 | Nut M8 | 10 | | | | | |



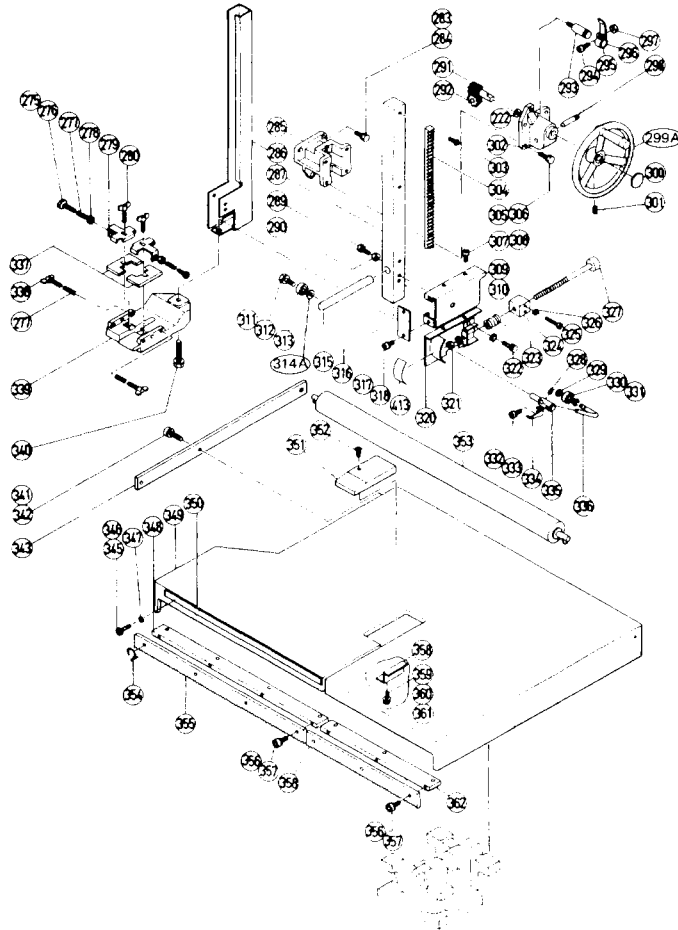
| ITEM NO. | PART NO. | NO. USED | DESCRIPTION | SUPPLY Q'TY | ITEM NO. | PART NO. | NO. USED | DESCRIPTION | SUPPLY Q'TY |
|----------|----------|----------|--|-------------|----------|----------|----------|--------------------------|-------------|
| 359 | 949624 | 1 | Bolt M8×20 | 10 | 419 | 949553 | 2 | Nut M3 | 10 |
| 360 | 949457 | 1 | Spring Washer M8 | 10 | 420 | 949204 | 2 | Machine Screw M3×10 | 10 |
| 361 | 949426 | 1 | Washer M8 | 10 | 421 | 949451 | 2 | Spring Washer M3 | 10 |
| 362 | 974124 | 1 | Rack Holder (B) | | 422 | 974207 | 2 | V-Belt (B63) 2.2KW | |
| 363 | 949656 | 7 | Hexagon Socket Head Bolt M8×20 | 10 | 423 | 988537 | 1 | Scale | |
| 364 | 949457 | 7 | Spring Washer M8 | 10 | 431 | 975576 | 1 | Cord (G) | |
| 365 | 949426 | 7 | Washer M8 | 10 | 432 | 975578 | 1 | Switch TYPE K | |
| 379 | 986662 | 1 | Machine Screw M4×10 w / Spring Washer, Bolt Washer | | 433 | 949554 | 2 | Nut M4 | 10 |
| 380 | 966049 | 1 | Nylon Clip | | 434 B | 988970 | 1 | Cord Ass'y | |
| 381 | 967333 | 1 | Terminal Box | | 435 | 949555 | 2 | Nut M5 | 10 |
| 382 | 966607 | 1 | Internal Wire (D) | | 436 | 965378 | 2 | Cord Clip | |
| 383 | 968247 | 2 | Set Screw M6×10 | | 438 | 949241 | 2 | Machine Screw M5×20 | 10 |
| 384 | 949639 | 4 | Bolt M10×25 | 10 | 439 | 988504 | 1 | Upper Cover (A) | |
| 385 | 949458 | 4 | Spring Washer M10 | 10 | 440 | 988505 | 1 | Lower Cover (A) | |
| 386 | 949434 | 4 | Washer M10 2.2 KW | 10 | 441 | 949254 | 3 | Machine Screw M6×10 | 10 |
| 387 | 974243 | 1 | Motor Cover | | 442 | 949455 | 3 | Spring Washer M6 | 10 |
| 399 | 974205 | 1 | Pulley (C) 2.2KW (Till 2, 1984) | | 443 | 988499 | 1 | Positioner Holder (A) | |
| 399 A | 974206 | 1 | Pulley (C) 3.7kw (Since 3, 1984) | | 444 | 988500 | 1 | Positioner Holder (B) | |
| 405 | 964637 | 1 | Grommet | | 445 | 988533 | 1 | Guide Holder Cover | |
| 407 | 949574 | 1 | Nut M12 | 10 | 446 | 975575 | 1 | Sleeve | |
| 408 | 949561 | 1 | Nut M12 | 10 | 447 | 967469 | 1 | Set Screw M6×6 | |
| 409 | 974150 | 1 | Motor Base | | 448 | 959141 | 3 | Connector | 10 |
| 410 | 949560 | 1 | Nut M10 | 10 | 449 | 956319 | 1 | Connector | |
| 411 | 967786 | 1 | Bolt M10 | | 450 | 988972 | 1 | Caution Plate (B) | |
| 412 | 949560 | 1 | Nut M10 | 10 | 451 | 974121 | 1 | Table Plate | |
| 413 | 974242 | 1 | Bolt M12×180 | | 493 | 988534 | 1 | Momentary Switch (Red) | |
| 418 | 974189 | 1 | Polyvinyl Chloride Cover | | 494 | 988535 | 1 | Momentary Switch (Green) | |



HITACHI

BAND SAW

Model CB 100F



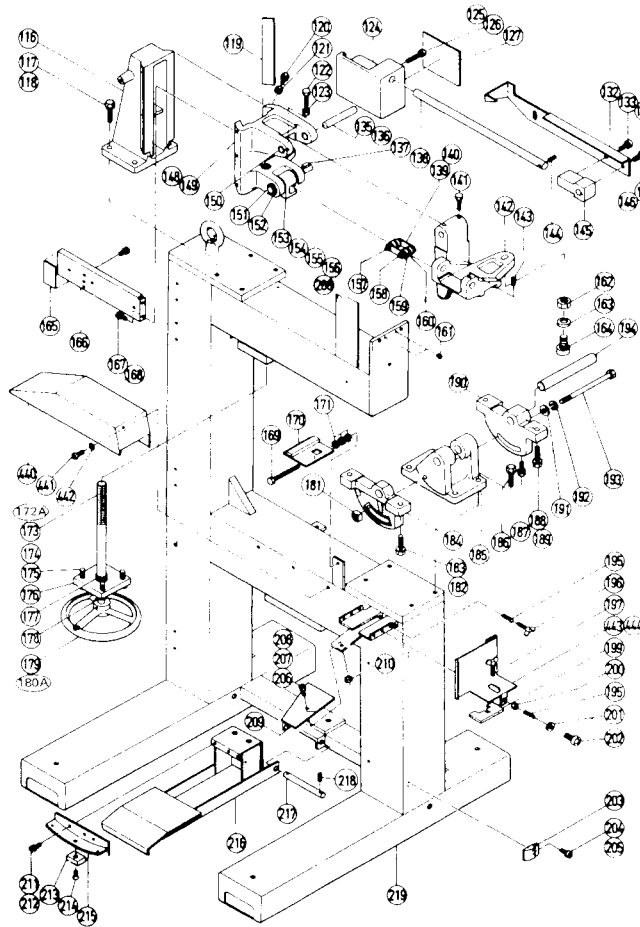
| ITEM NO. | PART NO. | NO. USED | DESCRIPTION | SUPPLY Q'TY | ITEM NO. | PART NO. | NO. USED | DESCRIPTION | SUPPLY Q'TY |
|----------|----------|----------|--|-------------|----------|----------|----------|---|-------------|
| 294 | 949258 | 1 | Machine Screw M6×20 | 10 | 326 | 949454 | 2 | Spring Washer M5 | 10 |
| 295 | 949455 | 1 | Spring Washer M6 | 10 | 327 | 988548 | 4 | Adjust Screw | |
| 296 | 952407 | 1 | Clamp Bar | | 328 | 968247 | 1 | Set Screw M6×10 | |
| 297 | 949556 | 1 | Nut M6 | 10 | 330 | 6201VV | 1 | Ball Bearing 6201VVCMP2S | |
| 298 | 932315 | 1 | Gear Shaft | | 331 | 988979 | 1 | Bearing Wheel | |
| 299 A | 988975 | 1 | Round Handle (B) | | 332 | 949254 | 1 | Machine Screw M6×10 | 10 |
| 301 | 949746 | 1 | Roll Pin 5×32 | 10 | 333 | 949455 | 1 | Spring Washer M6 | 10 |
| 302 | 965759 | 1 | Gear Cover | | 336 | 988579 | 1 | Indicator Shaft (B) (includes Item 330 ~ 331) | |
| 303 | 949334 | 3 | Machine Screw M5×16 | 10 | 337 | 974196 | 2 | Positioner | |
| 304 | 965763 | 1 | Rack (A) | | 338 | 949400 | 4 | Wing Bolt M5×25 | 10 |
| 305 | 949626 | 4 | Bolt M8×25 | 10 | 339 | 974195 | 1 | Positioner Base | |
| 306 | 949457 | 4 | Spring Washer M8 | 10 | 340 | 951688 | 1 | Bolt M12×40 | |
| 307 | 949819 | 2 | Hexagon Socket Head Bolt M5×10 | 10 | 341 | 949698 | 4 | Bolt M10×30 | 10 |
| 308 | 949454 | 2 | Spring Washer M5 | 10 | 342 | 949458 | 4 | Spring Washer M10 | 10 |
| 309 | 988525 | 1 | Indicator Cover Assembly (includes Item 307,308,310,313,320,328 - 336) | | 343 | 974148 | 2 | Roller Angle | |
| 311 | 949698 | 1 | Bolt M10×30 | 10 | 345 | 949216 | 3 | Machine Screw M4×10 | 10 |
| 312 | 949458 | 1 | Spring Washer M10 | 10 | 346 | 949453 | 3 | Spring Washer M4 | 10 |
| 314 A | 949434 | 2 | Washer (old 974789) | 10 | 347 | 949429 | 3 | Bolt Washer M4 | 10 |
| 315 | 974180 | 1 | Bearing Shaft | | 348 | 974123 | 1 | Rack Holder (A) | |
| 316 | 974178 | 1 | Polyvinyl Chloride Plate (A) | | 349 | 974120 | 1 | Table | |
| 317 | 949204 | 2 | Machine Screw M3×10 | 10 | 351 | 974122 | 1 | Table Insert | |
| 318 | 949451 | 2 | Spring Washer M3 | 10 | 352 | 949334 | 1 | Fiat Screw M5×16 | 10 |
| 319 | 975573 | 1 | Blade Scale | | 353 | 974149 | 1 | Conveyor Roller | |
| 321 | 949568 | 4 | Nut M8 | 10 | 354 | 974755 | 1 | Guide Stopper | |
| 322 | 988495 | 2 | Bolt M8×16 | | 355 | 974125 | 1 | Rack (A) | |
| 323 | 988540 | 1 | Handle Spring | | 356 | 949676 | 7 | Hexagon Socket Head Bolt M6×20 | 10 |
| 324 | 988541 | 1 | Screw Holder | | 357 | 949455 | 7 | Spring Washer M6 | 10 |
| 325 | 949247 | 2 | Machine Screw M5×35 | 10 | 358 | 974126 | 1 | Rack (B) | |



HITACHI

BAND SAW

Model CB 100F



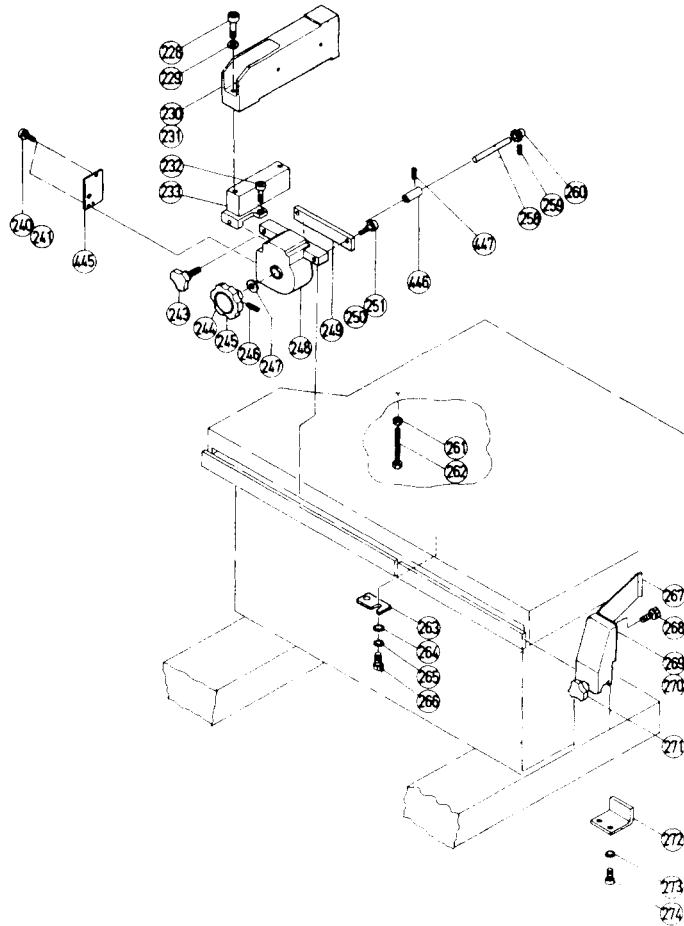
| ITEM NO. | PART NO. | NO. USED | DESCRIPTION | SUPPLY Q'TY | ITEM NO. | PART NO. | NO. USED | DESCRIPTION | SUPPLY Q'TY |
|----------|----------|----------|--|-------------|----------|----------|----------|-------------------------------|-------------|
| 148 | 974155 | 1 | Slider Assembly (includes Item 149 - 154,288) | | 182 | 951688 | 2 | Bolt M12×40 w / Spring Washer | |
| 151 | 974157 | 1 | Shaft | | 183 | 949437 | 3 | Bolt Washer M12 | 10 |
| 152 | 939547 | 2 | Retaining Ring D20 | 10 | 184 | 965747 | 1 | Hinge (C) | |
| 153 | 974156 | 1 | Bearing Holder | | 185 | 965745 | 1 | Hinge (A) | |
| 154 | 965482 | 1 | Feather Key 5×5×40 | | 186 | 951688 | 4 | Bolt M12×40 w / Spring Washer | |
| 155 | 968247 | 1 | Set Screw M6×10 | | 187 | 949676 | 1 | Bolt M6×20 | 10 |
| 156 | 949685 | 1 | Roll Pin 3×20 | 10 | 188 | 951688 | 2 | Bolt M12×40 w / Spring Washer | |
| 158 | 939540 | 4 | Retaining Ring D10 | 10 | 189 | 949437 | 2 | Bolt Washer M12 | 10 |
| 159 | 6000VV | 4 | Ball Bearing 6000VVCMP2S | | 190 | 974118 | 1 | Hinge (B) | |
| 160 | 949445 | 6 | Washer M10 | 10 | 191 | 949437 | 1 | Bolt Washer M12 | 10 |
| 161 | 968247 | 2 | Set Screw M6×10 | | 192 | 949463 | 1 | Spring Washer M12 | 10 |
| 162 | 949561 | 1 | Nut M12 | 10 | 193 | 974242 | 1 | Bolt M12×180 | |
| 163 | 936305 | 1 | Washer (A) | | 194 | 965748 | 1 | Hinge Shaft | |
| 164 | 974780 | 1 | Hexagon Socket Head Bolt M12×80 | | 195 | 988538 | 6 | Spring | |
| 165 | 975572 | 1 | Scale (B) | | 196 | 949400 | 4 | Wing Bolt M5×25 | 10 |
| 166 | 974168 | 1 | Scale Plate | | 197 | 949413 | 2 | Wing Bolt M8×25 | 10 |
| 167 | 949254 | 2 | Machine Screw M6×10 | 10 | 199 | 974196 | 2 | Positioner | |
| 168 | 949455 | 2 | Spring Washer M6 | 10 | 200 | 949555 | 2 | Nut M5 | 10 |
| 169 | 944899 | 1 | Bolt M8×75 | | 202 | 949245 | 2 | Machine Screw M5×30 | 10 |
| 170 | 974116 | 1 | Duster (A) | | 203 | 974186 | 1 | Hook | |
| 171 | 949568 | 3 | Nut M8 | 10 | 204 | 949204 | 16 | Machine Screw M3×10 | 10 |
| 172 A | 988974 | 1 | Round Handle (B) Assembly (includes Item No.173,176 - 180) | | 205 | 949451 | 16 | Spring Washer M3 | 10 |
| 174 | 949695 | 4 | Bolt M10×35 | 10 | 206 | 949258 | 2 | Machine Screw M6×20 | 10 |
| 177 | 939286 | 1 | Thrust Bearing (51103) | | 207 | 949455 | 2 | Spring Washer M6 | 10 |
| 179 | 949746 | 1 | Roll Pin 5×32 | 10 | 208 | 949432 | 2 | Bolt Washer M6 | 10 |
| 180 A | 965867 | 1 | Round Handle 200mm | | 209 | 974781 | 1 | Sawdust Thrower | |
| 181 | 974119 | 1 | Square Nut M12 | | 210 | 949556 | 2 | Nut M6 | 10 |
| | | | | | 211 | 949255 | 3 | Machine Screw M6×12 | 10 |
| | | | | | 212 | 949455 | 3 | Spring Washer M6 | 10 |



HITACHI

BAND SAW

Model CB 100F



| ITEM NO. | PART NO. | NO. USED | DESCRIPTION | SUPPLY Q'TY | ITEM NO. | PART NO. | NO. USED | DESCRIPTION | SUPPLY Q'TY |
|----------|----------|----------|---|-------------|----------|----------|----------|---|-------------|
| 213 | 974113 | 3 | Brake Lining | | 262 | 988547 | 1 | Bolt M12×100 | |
| 214 | 949331 | 3 | Flat Screw M5×10 | 10 | 263 | 974244 | 1 | Table Piece | |
| 215 | 988491 | 1 | Lining Holder | | 264 | 949433 | 2 | Bolt Washer M8 | 10 |
| 216 | 974109 | 1 | Brake Pedal | | 265 | 949457 | 2 | Spring Washer M8 | 10 |
| 217 | 974110 | 1 | Brake Shaft | | 266 | 967594 | 2 | High Tension Bolt M8 | |
| 218 | 949681 | 2 | Roll Pin 5×25 | 10 | 267 | 988494 | 1 | Guide Spring | |
| 222 | 932314 | 1 | Washer | | 268 | 988495 | 2 | Bolt M8×16 (w / Washer, Spring Washer) | |
| 228 | 949846 | 2 | Set Screw M10×30 | 10 | 269 | 988492 | 1 | Guide Spring Assembly (includes Item 267, 268, 270 - 274) | |
| 229 | 949458 | 2 | Spring Washer M10 | 10 | 270 | 988493 | 1 | Guide Holder | |
| 230 | 975580 | 1 | Guide Assembly (includes Item 228, 229, 231, 233) | | 271 | 974142 | 1 | Knob (A) M10×40 | |
| 231 | 975583 | 1 | Guide (C) | | 272 | 988532 | 1 | Stopper | |
| 232 | 949760 | 2 | Hexagon Socket Head Bolt M8×25 | 10 | 273 | 949457 | 2 | Spring Washer M8 | 10 |
| 233 | 975584 | 1 | Guide Holder (C) | | 274 | 949624 | 2 | Bolt M8×20 | 10 |
| 240 | 949254 | 2 | Machine Screw M6×10 | 10 | 275 | 949245 | 2 | Machine Screw M5×30 | 10 |
| 241 | 949455 | 2 | Spring Washer M6 | 10 | 277 | 988538 | 6 | Spring | |
| 243 | 974142 | 1 | Knob (A) M10×40 | | 278 | 949555 | 2 | Nut M5 | 10 |
| 245 | 974771 | 1 | Knob | | 279 | 974197 | 2 | Positioner Holder | |
| 246 | 949681 | 1 | Roll Pin 5×25 | 10 | 280 | 949413 | 3 | Wing Bolt M8×25 | 10 |
| 247 | 949437 | 1 | Bolt Washer M12 | 10 | 283 | 949626 | 3 | Bolt M8×25 | 10 |
| 248 | 974127 | 1 | Guide Holder (A) | | 284 | 949457 | 1 | Spring Washer M8 | 10 |
| 249 | 974147 | 1 | Guide Plate | | 285 | 974174 | 1 | Arm | |
| 250 | 949676 | 2 | Bolt M6×20 | 10 | 287 | 988539 | 1 | Positioner Shaft | |
| 251 | 949455 | 2 | Spring Washer M6 | 10 | 289 | 949676 | 1 | Bolt M6×20 | 10 |
| 256 | 949753 | 1 | Spring Pin 5×20 | 10 | 290 | 949556 | 1 | Nut M6 | 10 |
| 258 | 974128 | 1 | Pinion Shaft | | 291 | 932313 | 1 | Worm | |
| 259 | 949753 | 1 | Roll Pin 5×20 | 10 | 292 | 932316 | 1 | Gear | |
| 260 | 974129 | 1 | Pinion | | 293 | 974175 | 1 | Lock Screw | |
| 261 | 949561 | 1 | Nut M12 | 10 | | | | | |