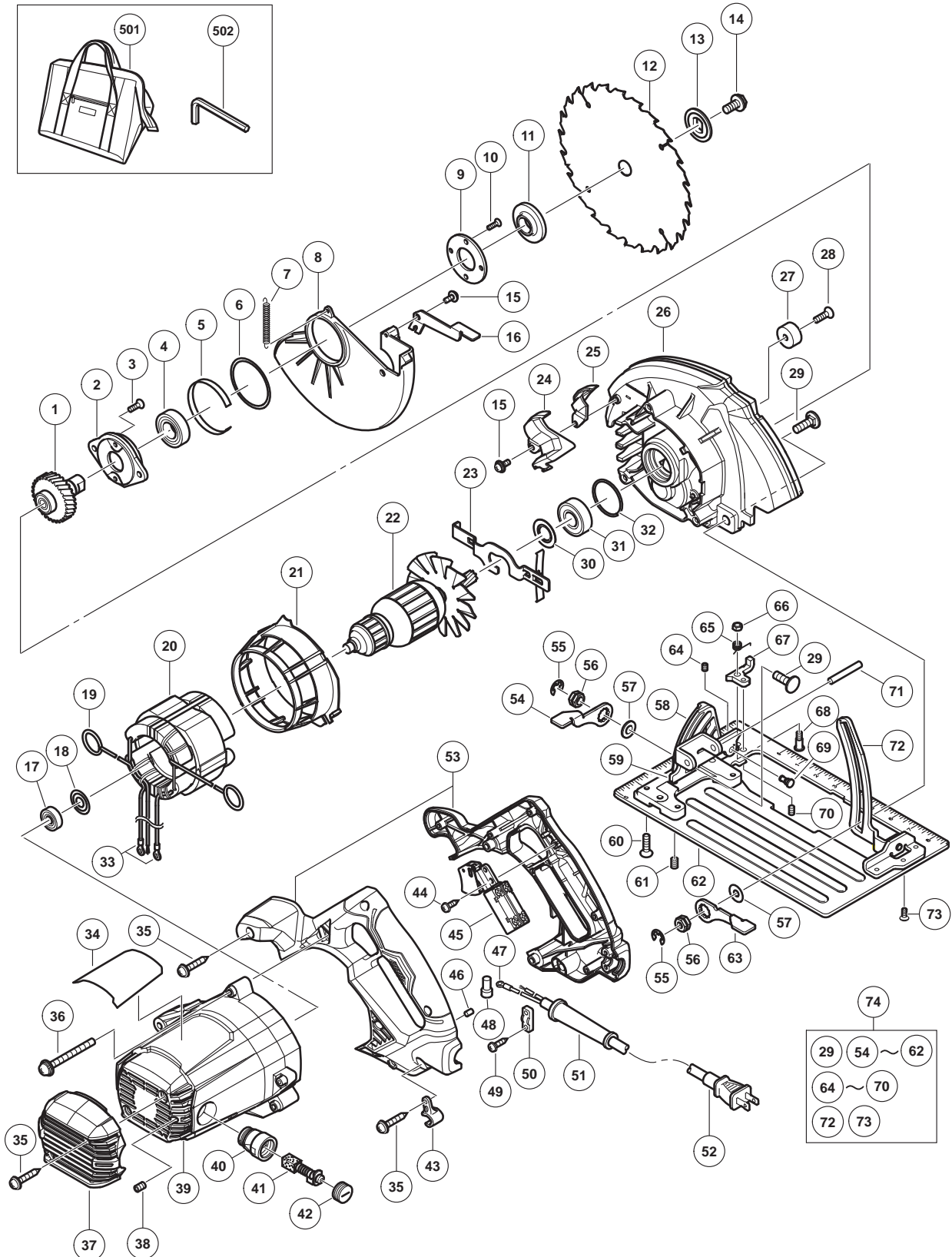


ELECTRIC TOOL PARTS LIST

CIRCULAR SAW
Model C 7BUR

2017-10-23
(E1)



PARTS

C 7BUR

ITEM NO.	CODE NO.	DESCRIPTION	NO. USED	REMARKS
1	372782	SPINDLE AND GEAR SET	1	
2	372765	BEARING HOLDER	1	
3	992013	SEAL LOCK FLAT HD. SCREW M5 X 14	2	
4	6003VV	BALL BEARING 6003VVCMP2L	1	
5	998887	LINER	1	
6	370591	WASHER	1	
7	373026	RETURN SPRING	1	
8	372758	LOWER GUARD	1	
9	302435	BEARING COVER	1	
10	990430	SEAL LOCK FLAT HD. SCREW M4 X 10	2	
11	372780	WASHER (A)	1	
12		TCT SAW BLADE 185MM-D16 HOLE-NT24	1	
13	324598	WASHER (B)	1	
14	324662	HEX. SOCKET HD. BOLT M8 X 15.5	1	
15	935196	MACHINE SCREW (W/WASHERS) M4 X 12 (BLACK)	2	
16	328045	LEVER	1	
17	6000VV	BALL BEARING 6000VVCMP2L	1	
18	302428	WASHER (A)	1	
19	937623	BRUSH TERMINAL	2	
20	340984C	STATOR ASS'Y 120V	1	INCLUD.19,33
21	372743	FAN GUIDE	1	
22	361074U	ARMATURE ASS'Y 110V-120V	1	INCLUD.17,18,30,31
23	320959	LOCK LEVER	1	
24	372768	FLOW GUIDE (B)	1	
25	372767	FLOW GUIDE (A)	1	
26	372763	GEAR COVER	1	
27	337080	CUSHION	1	
28	949794	FLAT HD. SCREW M6 X 20 (10 PCS.)	1	
29	372774	BOLT (SQUARE) M8	2	
30	980700	DUST WASHER (B)	1	
31	6202VV	BALL BEARING 6202VVCMP2L	1	
32	372783	O-RING (I.D. 34.5)	1	
33	930804	TERMINAL M4.0 (10 PCS.)	2	
34		NAME PLATE	1	
35	301653	TAPPING SCREW (W/FLANGE) D4 X 20 (BLACK)	8	
36	997841	MACHINE SCREW (W/WASHERS) M5 X 50 (BLACK)	3	
37	372762	TAIL COVER	1	
38	938477	HEX. SOCKET SET SCREW M5 X 8	2	
39	372759	HOUSING ASS'Y	1	INCLUD.38,40
40	938241	BRUSH HOLDER	2	
41	999038	CARBON BRUSH (1 PAIR)	2	
42	945161	BRUSH CAP	2	
43	370269	CORD HOLDER	1	
44	311945	TAPPING SCREW (W/FLANGE) D4 X 10 (BLACK)	1	
45	373028	SWITCH	1	
46	931701	BEARING LOCK	1	
47	930804	TERMINAL M4.0 (10 PCS.)	1	
48	959141	CONNECTOR 50092 (10 PCS.)	1	
49	984750	TAPPING SCREW (W/FLANGE) D4 X 16	2	
50	937631	CORD CLIP	1	

PARTS

C 7BUR

ITEM NO.	CODE NO.	DESCRIPTION	NO. USED	REMARKS
51	938051	CORD ARMOR D10.1	1	
52	500453Z	CORD	1	(CORD ARMOR D10.1)
53	373027	HANDLE (A).(B) SET	1	
54	372773	LEVER (A)	1	
55	670514	RETAINING RING (E-TYPE) FOR D10 SHAFT	2	
56	372772	LOCK NUT	2	
57	949433	BOLT WASHER M8 (10 PCS.)	2	
58	372764	BEVEL STAND	1	
59	372770	BEVEL PLATE	1	
60	992013	SEAL LOCK FLAT HD. SCREW M5 X 14	4	
61	308109	SLOTTED HD. SET SCREW (SEAL LOCK) M6 X 8	1	
62	372769	BASE PLATE	1	
63	372745	LEVER	1	
64	319541	SEAL LOCK HEX. SOCKET SET SCREW M5 X 6	1	
65	372778	SPRING (B)	1	
66	308387	U-NUT M5	1	
67	372776	STOPPER LEVER	1	
68	372777	SPECIAL BOLT	1	
69	372775	STEP PIN	1	
70	372779	SEAL LOCK HEX. SOCKET SET SCREW M5 X 8	1	
71	949686	ROLL PIN D6X40 (10 PCS.)	1	
72	372771	LINK	1	
73	328604	SEAL LOCK FLAT HD. SCREW M4 X 8	3	
74	372785	BASE ASS'Y	1	INCLUD.29,54-62,64-70,72,73

STANDARD ACCESSORIES

ITEM NO.	CODE NO.	DESCRIPTION	NO. USED	REMARKS
501	371108	TOOL BAG	1	
502	872422	HEX. BAR WRENCH 6MM	1	