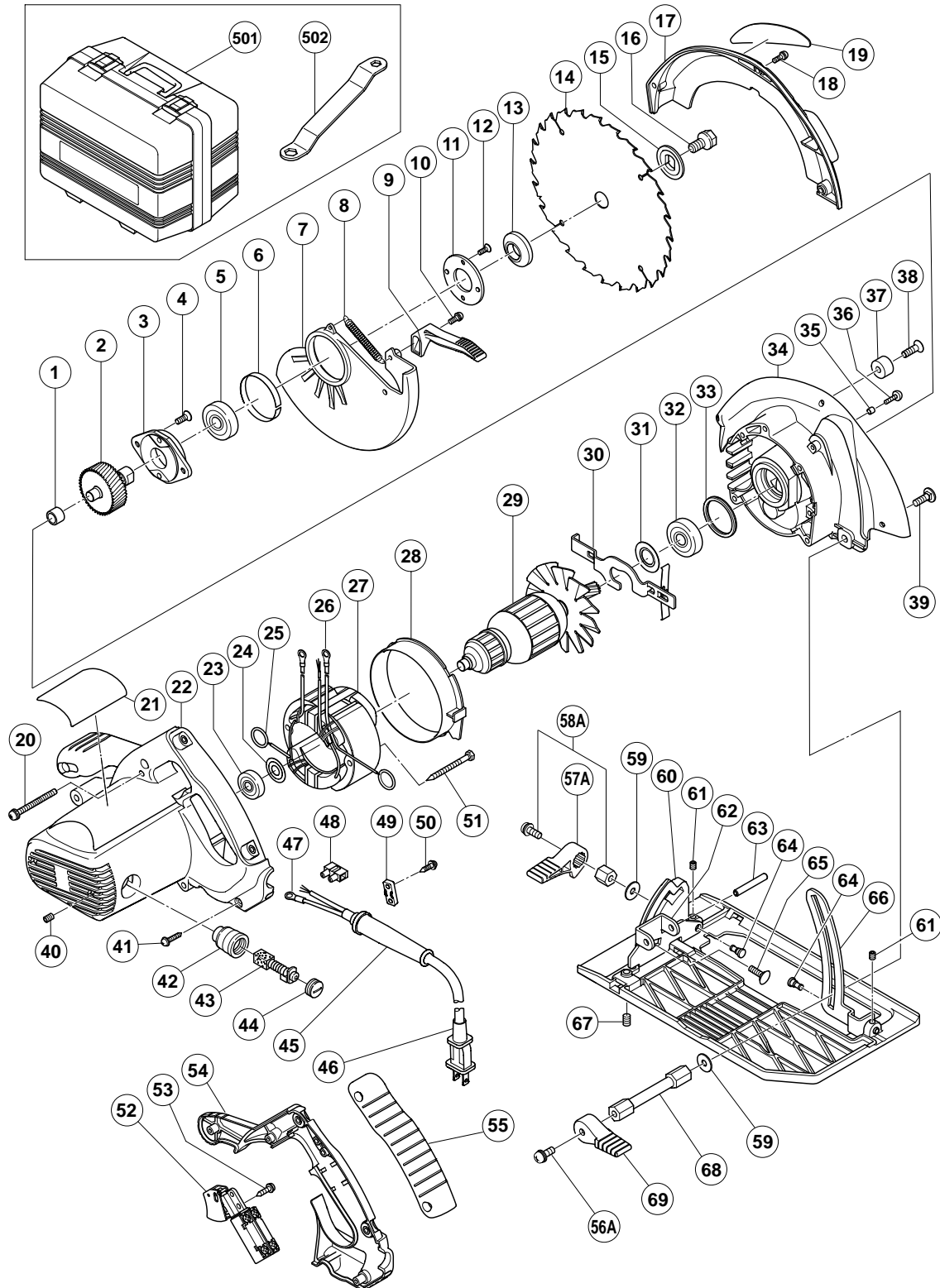


ELECTRIC TOOL PARTS LIST

■ CIRCULAR SAW
Model C 7BD2

2005 • 8 • 10
(E2)



PARTS

C 7BD2

ITEM NO.	CODE NO.	DESCRIPTION	NO. USED	REMARKS
1	982-027	NEEDLE BEARING (HK1010)	1	
2	320-960	SPINDLE AND GEAR SET	1	
3	302-433	BEARING HOLDER	1	
4	992-013	SEAL LOCK FLAT HD. SCREW M5X14	2	
5	600-3VV	BALL BEARING 6003VVCMP2L	1	
6	961-807	BUSHING	1	
7	320-956	LOWER GUARD	1	
8	320-968	RETURN SPRING	1	
9	320-957	LEVER	1	
10	935-196	MACHINE SCREW (W/WASHERS) M4X12 (BLACK)	1	
11	302-435	BEARING COVER	1	
12	990-430	SEAL LOCK FLAT HD. SCREW M4X10	2	
13	320-970	WASHER (A)	1	
14	320-843	TCT SAW BLADE 185MM-D16 HOLE-NT24	1	
15	320-953	WASHER (B)	1	
16	320-971	BOLT (W/FLANGE) M8X15.5	1	
17	324-594	BLADE COVER	1	
18	951-039	MACHINE SCREW (W/SP. WASHER) M4X12	3	
19		HITACHI LABEL	1	
20	308-357	MACHINE SCREW (W/WASHERS) M5X55	3	
21		NAME PLATE	1	
22	320-951	HOUSING ASS'Y	1	INCLUD. 40, 42
23	600-0VV	BALL BEARING 6000VVCMP2L	1	
24	302-428	WASHER (A)	1	
25	937-623	BRUSH TERMINAL	2	
26	930-804	TERMINAL M4.0 (10 PCS.)	2	
27	340-527C	STATOR ASS'Y 120V	1	INCLUD. 25, 26
28	320-958	FAN GUIDE	1	
29	360-577U	ARMATURE ASS'Y 110V-120V	1	INCLUD. 23, 24, 31, 32
30	320-959	LOCK LEVER	1	
31	980-700	DUST WASHER (B)	1	
32	620-2VV	BALL BEARING 6202VVCMP2L	1	
33	303-792	RUBBER RING	1	
34	320-954	GEAR COVER	1	
35	311-837	SPACER M4	1	
36	311-836	TP-SCREW M4X14	1	
37	961-729	CUSHION	1	
38	949-794	FLAT HD. SCREW M6X20 (10 PCS.)	1	
39	942-808	BOLT (SQUARE) M6X20	1	
40	938-477	HEX. SOCKET SET SCREW M5X8	2	
41	301-653	TAPPING SCREW (W/FLANGE) D4X20 (BLACK)	5	
42	938-241	BRUSH HOLDER	2	
43	999-038	CARBON BRUSH (1 PAIR)	2	
44	945-161	BRUSH CAP	2	
45	940-778	CORD ARMOR D10.7	1	
46	500-453Z	CORD	1	(CORD ARMOR D10.7)
47	930-804	TERMINAL M4.0 (10 PCS.)	1	
48	938-307	PILLAR TERMINAL	1	
49	937-631	CORD CLIP	1	
50	984-750	TAPPING SCREW (W/FLANGE) D4X16	2	
51	953-121	HEX. HD. TAPPING SCREW D5X50	2	

PARTS

ITEM NO.	CODE NO.	DESCRIPTION	NO. USED	REMARKS
52	320-950	SWITCH (1P SCREW TYPE)	1	
53	305-720	TAPPING SCREW (W/FLANGE) D4X12	1	
54	320-952	HANDLE COVER	1	
55	320-967	GRIP COVER	1	
56A	322-260	SEAL LOCK SCREW (W/SP. WASHERS) M6X14	1	
57A	322-600	LEVER (A) W/STOPPER	1	
58A	322-261	LOCK NUT SET (W/SCREW)	1	
59	320-975	WASHER	2	
60	320-961	BASE ASS'Y	1	INCLUD. 56-59, 61, 62, 64-67
61	319-541	SEAL LOCK HEX. SOCKET SET SCREW M5X6	2	
62	320-962	BEVEL PLATE	1	
63	949-686	ROLL PIN D6X40 (10 PCS.)	1	
64	320-163	STEP PIN D6X13	2	
65	942-808	BOLT (SQUARE) M6X20	1	
66	320-963	LINK	1	
67	308-109	SLOTTED HD. SET SCREW (SEAL LOCK) M6X8	1	
68	320-966	LONG NUT	1	
69	322-601	LEVER (A) W/O STOPPER	1	

STANDARD ACCESSORIES

C 7BD2

ITEM NO.	CODE NO.	DESCRIPTION	NO. USED	REMARKS	
501	321-188	CASE	1		
502	320-976	WRENCH 10MM	1		

OPTIONAL ACCESSORIES

ITEM NO.	CODE NO.	DESCRIPTION	NO. USED	REMARKS	
601	302-691	GUIDE	1		