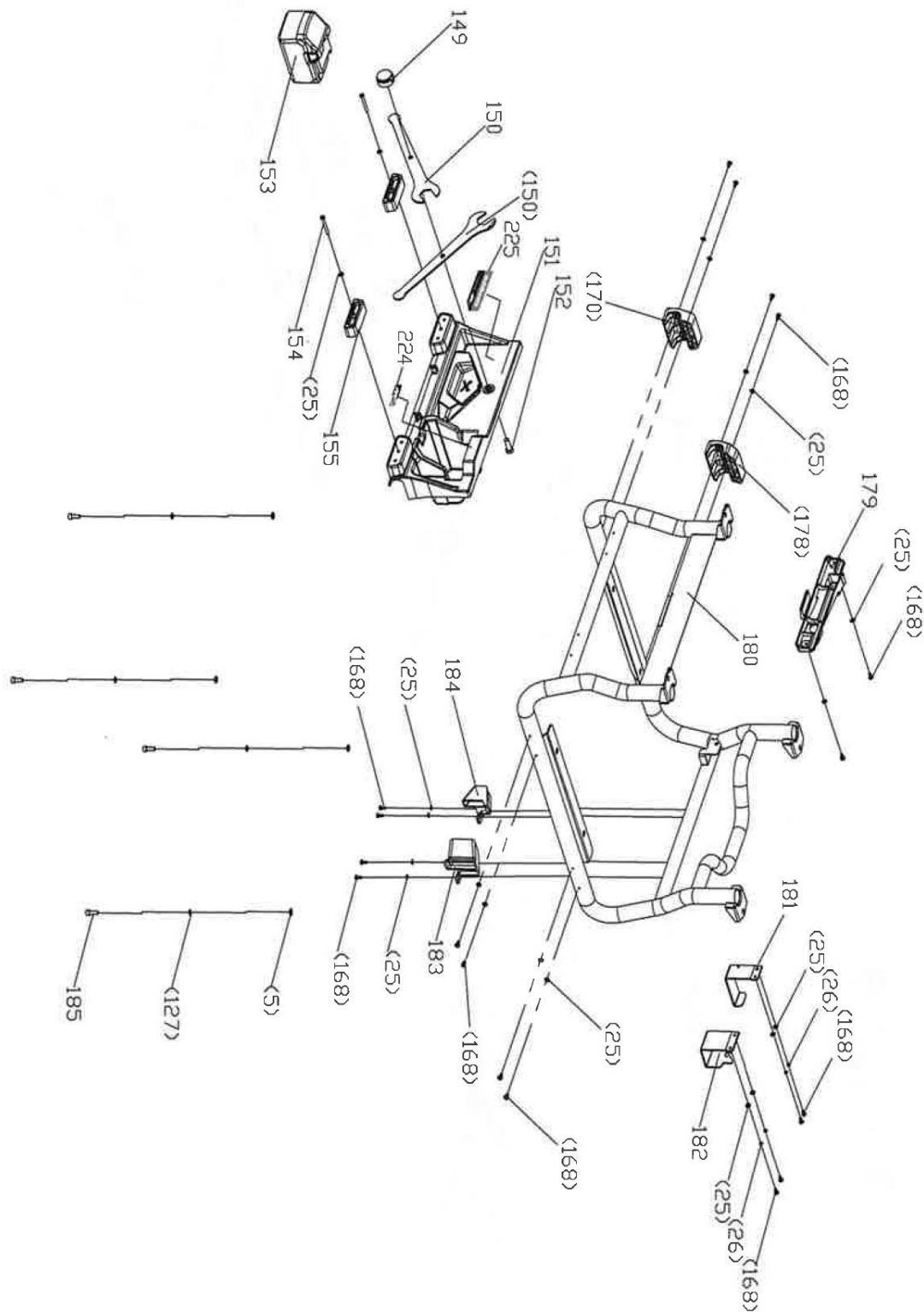
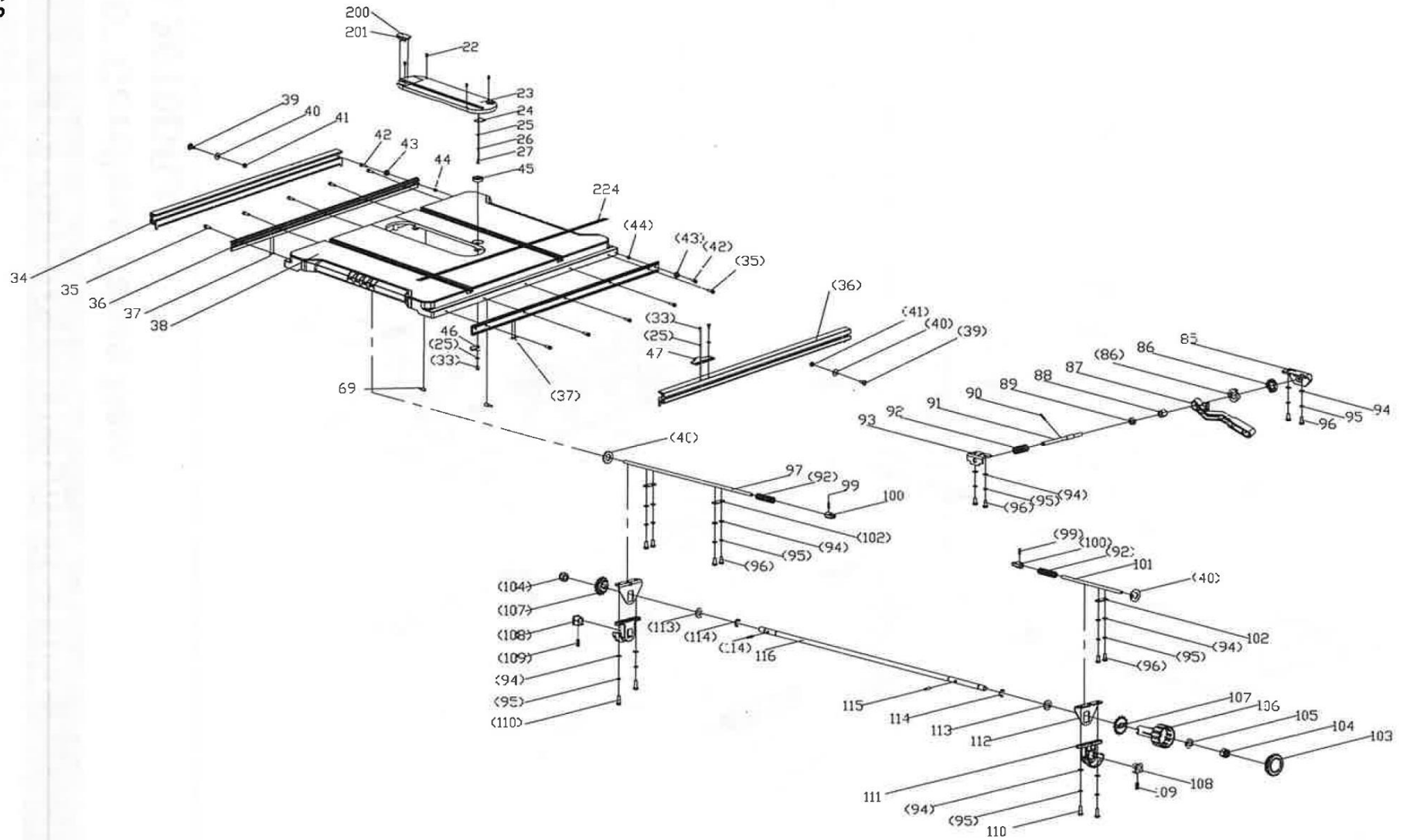


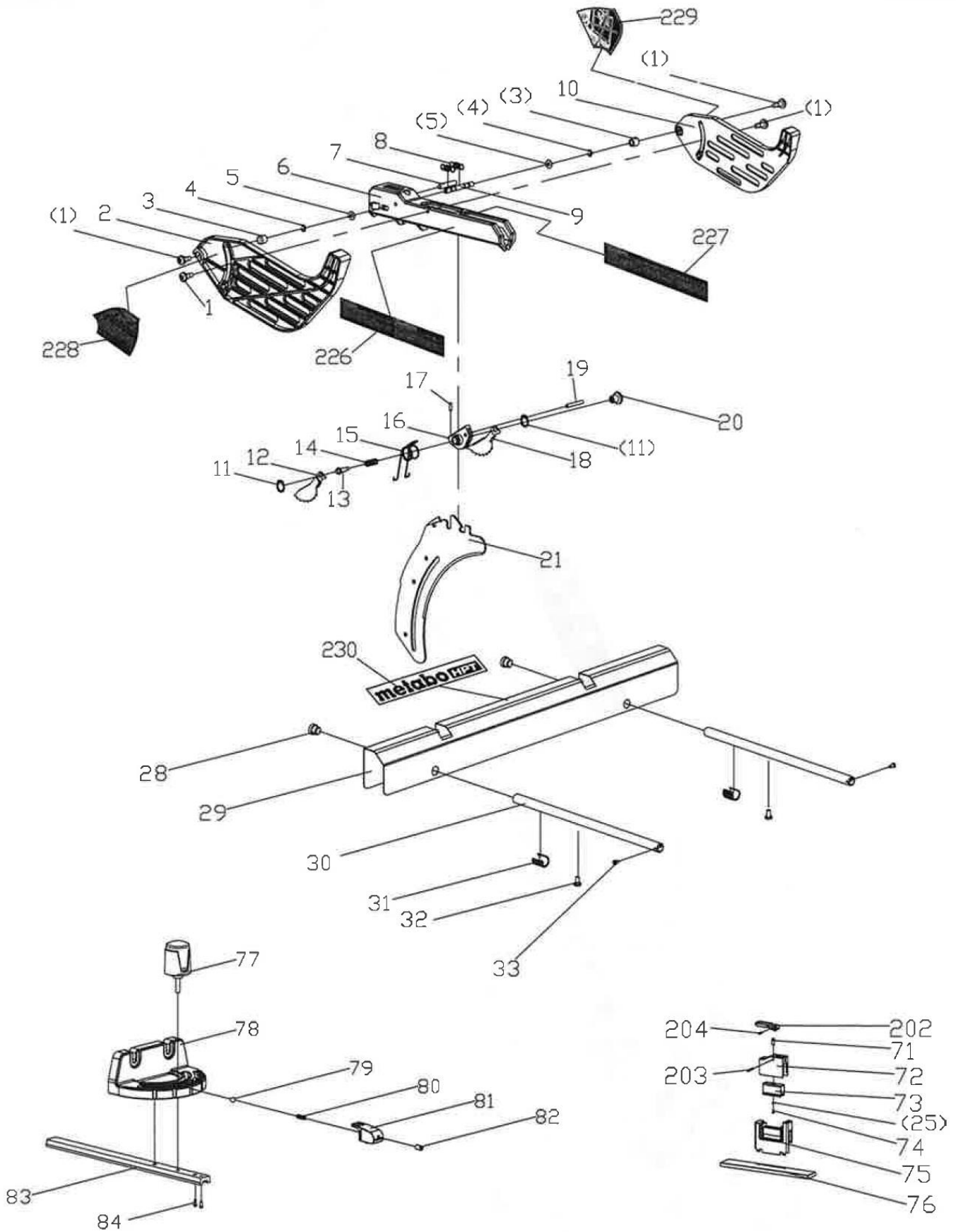
ELECTRIC TOOL PARTS LIST

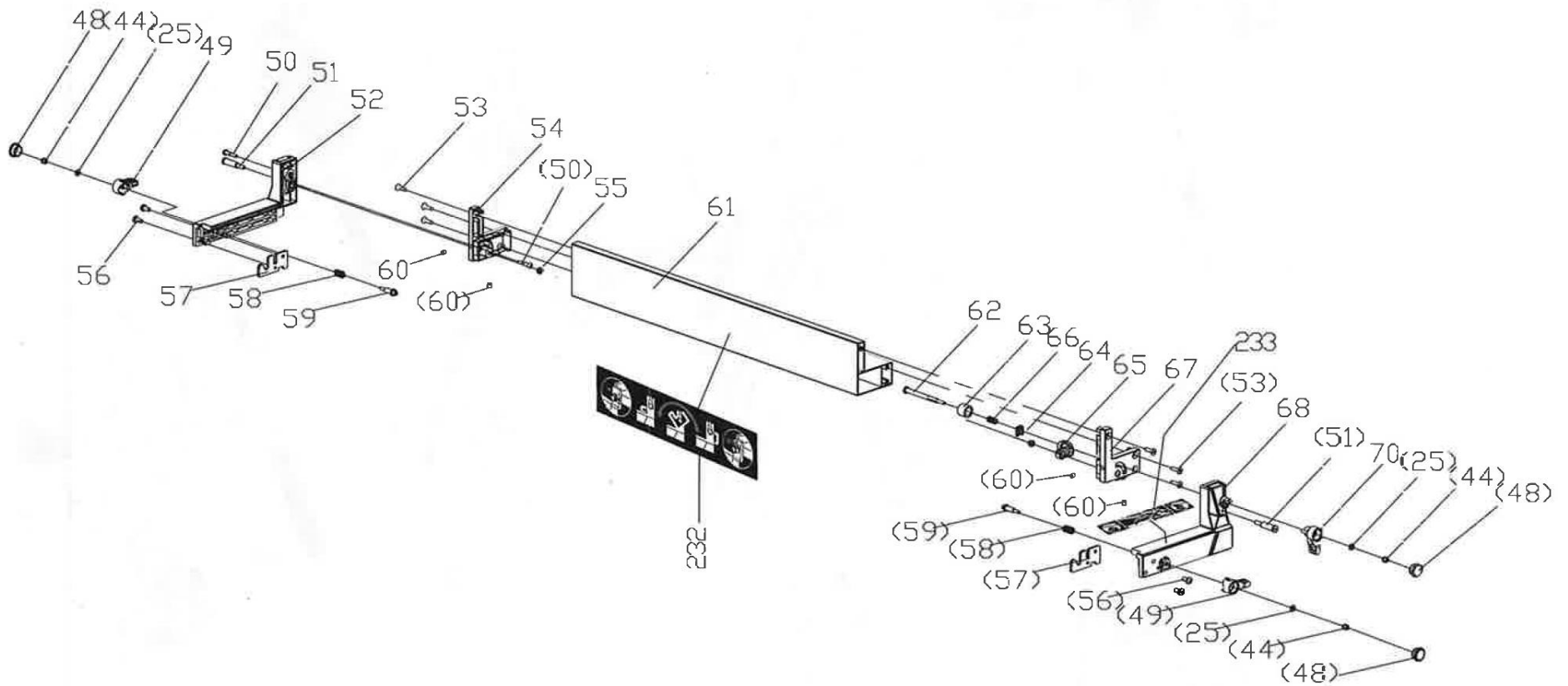
■ CORDLESS TABLE SAW
Model C 3610DRJ

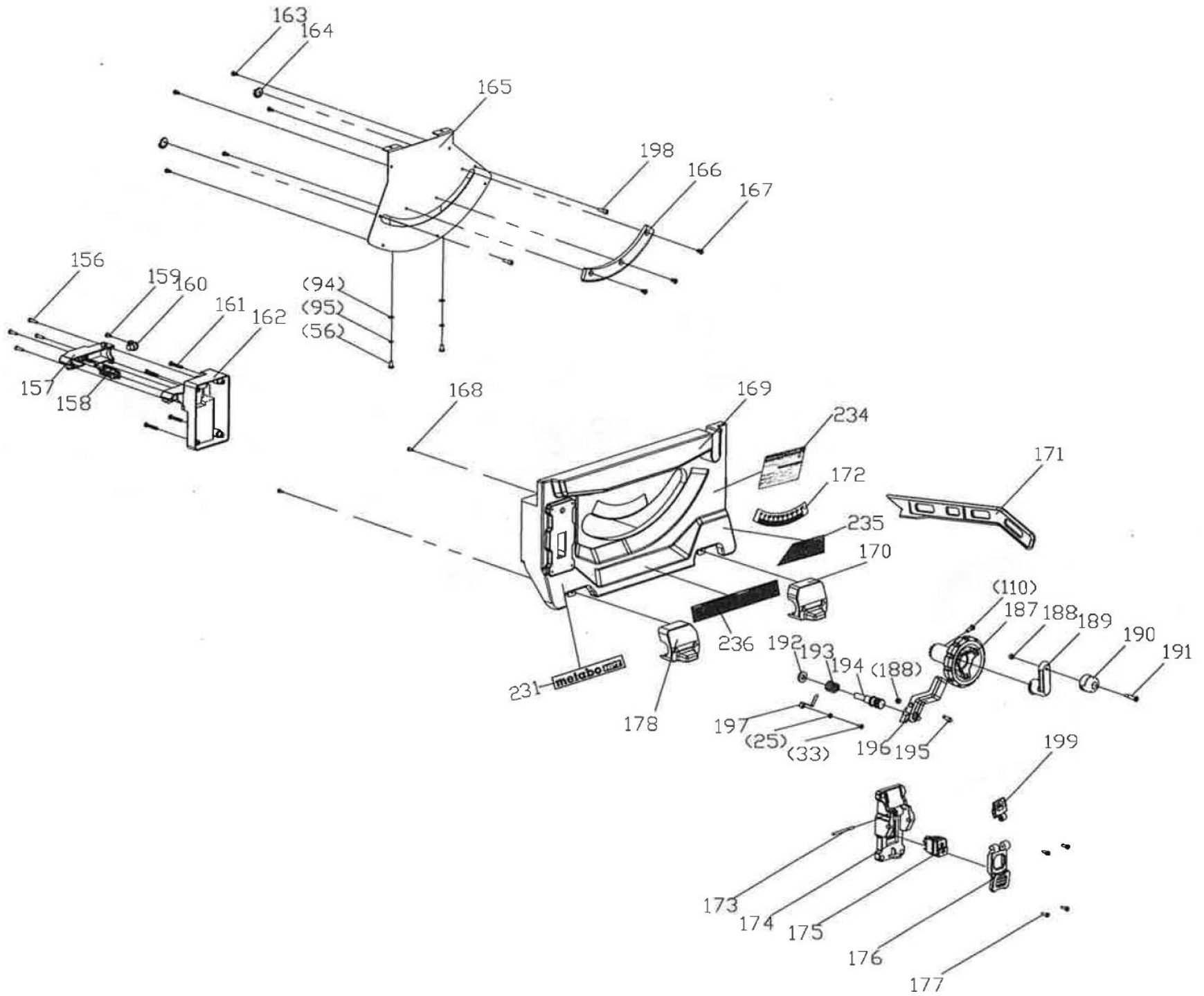
2019 • 03 • 18
(E1)

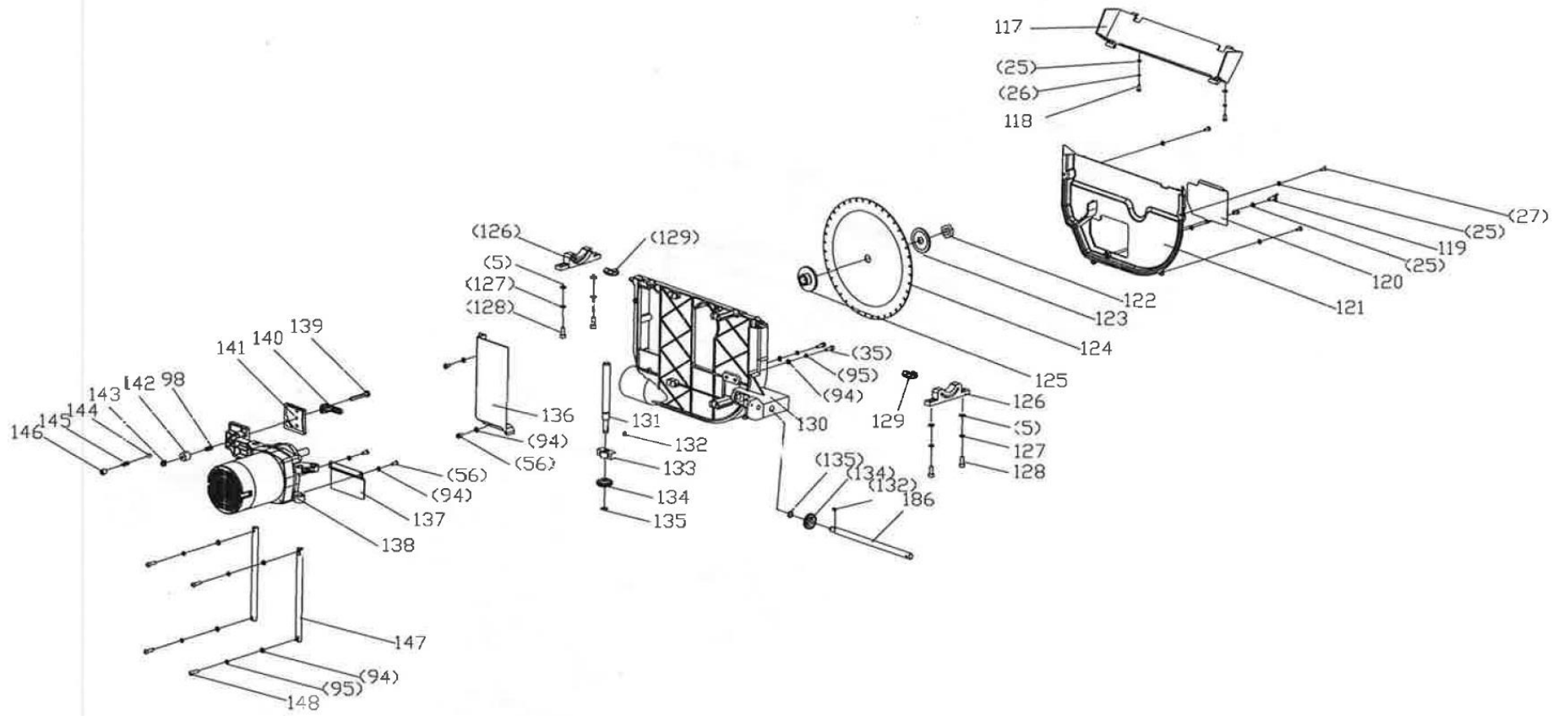


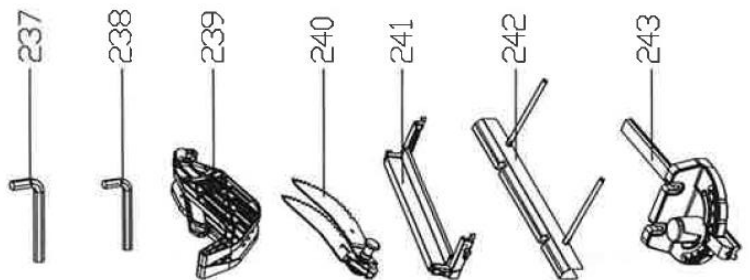
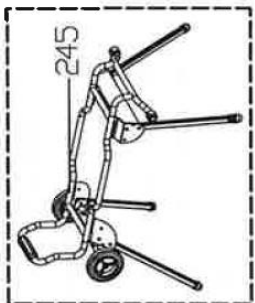
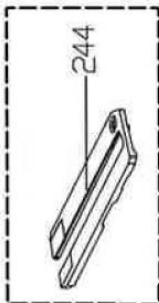
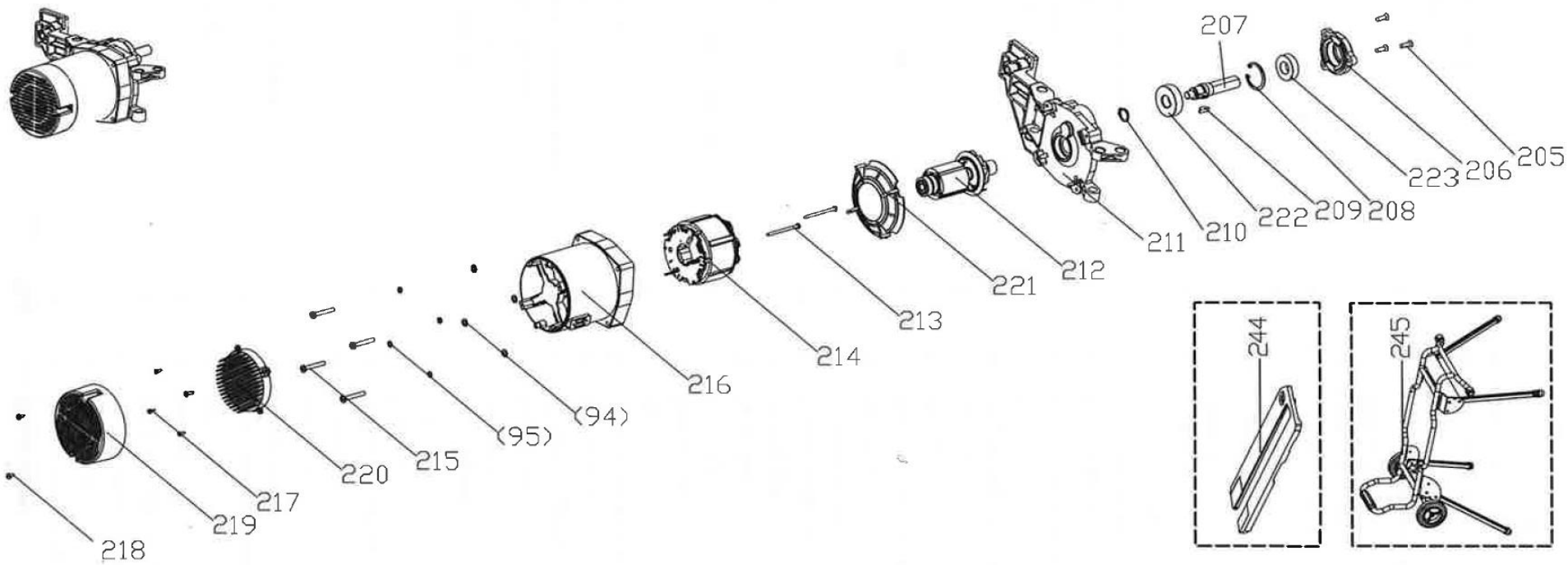
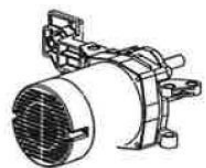












PARTS

C3610DRJ

ITEM NO.	CODE NO.	DESCRIPTION	NO. USED	REMARKS
1	374650	BOLT	4	
2	374651	LEFT BLADE GUARD	1	
3	374652	LATCH CAP	2	
4	371522	Split washer	2	
5	371393	Flat Washer 8	10	
6	374653	BLADE GUARD SUPPORT SEAT	1	
7	374654	STOP PIN	1	
8	374655	BLADE GUARD SUPPORT SEAT	2	
9	374656	SLIDING DETENT	1	
10	374657	RIGHT BLADE GUARD	1	
11	371610	Washer on shaft	2	
12	374658	ANTI-KICKBACK PAWL(A)	1	
13	371601	Latch	1	
14	371604	Compressing spring (A)	1	
15	371609	Anti-kickback pawl spring	1	
16	374659	ANTI-KICKBACK PAWL SUPPRO	1	
17	371627	Hexagon socket set screw with flat point M6 x 12	1	
18	374660	ANTI-KICKBACK PAWL(B)	1	
19	371606	Spring pin	1	
20	371600	Knob	1	
21	374661	RIVING KNIFE	1	
22	374662	HEXAGON SOCKET SET SCREW	4	
23	374663	TABLE INSERT	1	
24	374664	TABLE INSERT LOCK PLATE	1	
25	371474	Flat Washer 5	34	
26	372359	Spring washer 5	6	
27	371422	Cross pan head screw M5 x 45	5	
28	374665	M14 HEXAGON SOCKET SCREW	2	
29	371577	Extension table	1	
30	371581	Extension rod	2	
31	374666	STOP COLLAR	2	
32	374667	CROSS PAN HEAD SCREW	2	
33	371433	Cross pan head screw M5 x 40	6	
34	374668	TABLE SLIDING RAIL(A)	2	
35	371428	Hexagon socket cap screws M6 x 16	12	
36	371551	Rail	2	
37	371548	Friction pad	2	
38	374669	WORKING TABLE	1	
39	371540	Positioning screw (B)	2	
40	371632	Big flat washer	4	
41	371534	Hex nut M8	2	
42	371549	Adjusting bolt	2	
43	371550	Adjusting wheel	2	
44	371552	Lock nut M4	5	
45	374670	TABLE INSERT LOCKING BLOC	1	
46	374671	TABLE INSERT LOCKING BLOC	1	
47	371545	Pointer	1	
48	371555	Cover	2	
49	371556	Lever (left)	1	
50	371571	Cross recess head screw M5 x 20	2	
51	371558	Rotation bolt	2	
52	371573	Rip fence holder base (right)	1	
53	371476	Cross pan head screw M4 x 10	6	
54	371570	End cap (right)	1	
55	371418	Lock nut M5	2	
56	371488	Cross pan head screw M6 x16	10	
57	371562	Fixing plate	2	
58	371561	Locking spring	2	
59	371563	Locating pin	2	
60	371615	Hexagon socket set screw with flat point	4	
61	371569	Rip fence	1	
62	371564	Pin shaft	1	
63	371565	clamping bush	1	

PARTS

C3610DRJ

ITEM NO.	CODE NO.	DESCRIPTION	NO. USED	REMARKS
64	374672	LOCK BLOCK	1	
65	374673	ANGLE BLOCK	1	
66	371483	Compression spring	1	
67	371568	End cap (left)	1	
68	371559	Rip fence holder base (left)	1	
69	374674	PIN	2	
70	374675	ROTATION LEVER	1	
71	374676	LOCKING PIN	1	
72	374677	FIXING PLATE	1	
73	374678	LOCATING PLATE	1	
74	374679	HEXAGON SOCKET HEAD CAP S	1	
75	374680	VIC RIP FENCE CLAMP	1	
76	374681	VIC RIP FENCE	1	
77	374682	HANDLE FOR MITER GAUGE	1	
78	374683	MITER GAUGE	1	
79	371625	Steel ball	1	
80	374684	COMPRESSING SPRING (B)	1	
81	374685	POINTER	1	
82	371607	Hexagon socket set screw with flat point M4 x 6	1	
83	371628	Bar for miter gauge	1	
84	371630	Cross recessed pan head tapping screw	2	
85	374686	LOCATION-LIMITED PLATE (A)	1	
86	371539	Locking block	2	
87	374687	LOCKING LEVER	1	
88	374688	LONGER NUT M8 (B)	1	
89	371434	Hex nut M8	1	
90	371543	Spring pin	1	
91	371533	Front locking rod	1	
92	371526	Compression spring	3	
93	374689	LOCATION-LIMITED PLATE (B)	1	
94	374690	FLAT WASHER	26	
95	374691	SPRING WASHER	22	
96	374692	CROSS PAN HEAD SCREW	10	
97	371527	Rear locking rod (B)	1	
98	374693	SPRING	1	
99	371524	Spring pin	2	
100	371529	Slider (A)	2	
101	371531	Rear locking rod (A)	1	
102	371525	Clamp	3	
103	371513	Knob cover	1	
104	371514	Hex nut M10	2	
105	371596	Flat Washer	2	
106	374695	TABLE ADJUSTING KNOB	1	
107	374696	ADJUSTING GEAR	2	
108	371518	Adjusting support seat (C)	2	
109	371519	Adjusting spring	2	
110	374777	CROSS PAN HEAD SCREW	5	
111	371520	Adjusting support seat (B)	2	
112	371521	Adjusting support seat (A)	2	
113	374697	BIG FLAT WASHER	2	
114	371595	Split washer	2	
115	371524	Spring pin	2	
116	374698	ADJUSTING ROD	1	
117	374699	MOVING BAFFLE	1	
118	374700	CROSS PAN HEAD SCREW	2	
119	371642	Thumbscrew M5 x 12	1	
120	371641	Small baffle	1	
121	374701	TRUNNION PROTECTION GUARD	1	
122	371503	Arbor nut	1	
123	371502	Blade outer flange	1	
124	374702	BLADE	1	
125	371496	Blade inner flange	1	
126	374703	TRUNNION HOLDER	2	

Parts

C3610DRJ

ITEM NO.	CODE NO.	DESCRIPTION	NO. USED	REMARKS
127	372359	Spring washer 5	8	
128	374704	HEXAGON SOCKET HEAD CAP S	4	
129	374705	TRUNNION SLIDER BLOCK	2	
130	374706	TRUNNION	1	
131	374707	UP AND DOWN ADJUSTING ROD	1	
132	371487	A type Key	2	
133	374708	ADJUSTING SEAT	1	
134	374709	BEVEL GEAR	2	
135	371610	Washer on shaft	2	
136	374710	COVER PLATE	1	
137	374711	BLADE PROTECTION PLATE	1	
138	374712	MOTOR ASSMBLY	1	
139	374713	SPECIAL BOLT	1	
140	371599	Eccentric hand	1	
141	371603	Cam pressing plate	1	
142	374714	CLAMPING BUSH	1	
143	371411	Lock nut M6	1	
144	371613	Steel ball	1	
145	374715	HOLDER SPRING	1	
146	371615	Hexagon socket set screw with flat point	1	
147	374716	GUIDE PILLAR	2	
148	371494	Cross pan head screw M5 x 20	4	
149	374717	LOCKING KNOB	1	
150	374718	BLADE WRENCH	2	
151	374719	BATTERY PANEL	1	
152	374720	HEXAGON BOLT	1	
153	372121M	BATTERY(BSL36B18)	1	
154	374721	CROSS RECESSED PAN HEAD T	2	
155	374722	SUPPORT PAD	2	
156	374723	CROSS RECESSED PAN HEAD T	4	
157	374724	BATTERY CONNECTOR (A)	1	
158	374418	BATTERY TERMINAL	1	
159	374725	CROSS RECESSED PAN HEAD T	1	
160	374726	WIRE CLIP	1	
161	374727	CROSS RECESSED PAN HEAD T	4	
162	374728	BATTERY CONNECTOR (B)	1	
163	371451	Cross recessed pan head tapping screw ST4.2 x 16	5	
164	374729	ECCENTRIC LOCATION-LIMITED	2	
165	374730	BACK PLATE	1	
166	374731	ANGLE ADJUSTING BASE	1	
167	371567	Cross recessed countersunk head screw M5 x 12	2	
168	371630	Cross recessed pan head tapping screw	20	
169	371464	Front panel	1	
170	371406	Adjustable foot (B)	2	
171	371532	Push sticker	1	
172	371463	Bevel label	1	
173	371461	Rotation pin	1	
174	374733	SWITCH FIXING PLATE	1	
175	374734	SWITCH HYS2-7	1	
176	371634	Switch flap	1	
177	371451	Cross recessed pan head tapping screw ST4.2 x 16	4	
178	371407	Adjustable foot (A)	2	
179	374735	MITER GAUGE STORAGE	1	
180	374736	FRAME ASSEMBLY	1	
181	371442	Blade guard storage (B)	1	
182	371446	Blade guard storage (A)	1	
183	371445	Push sticker storage (B)	1	
184	371444	Push sticker storage (A)	1	
185	371453	Hexagon socket head cap screws M5 x 12	4	
186	374737	UP AND DOWN ADJUSTING ROD	1	
187	371460	Rotation wheel	1	
188	371534	Hex nut M8	2	

