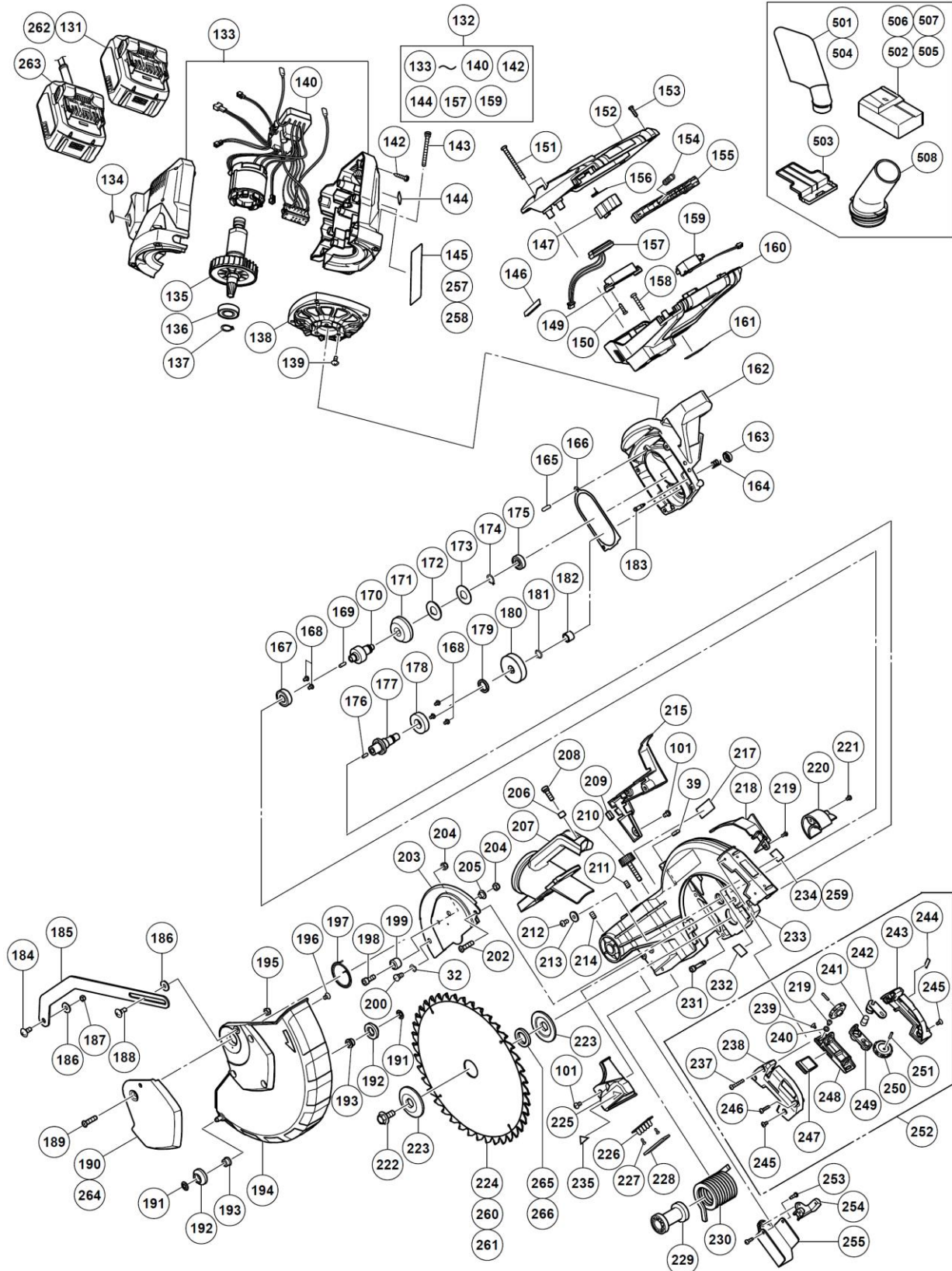
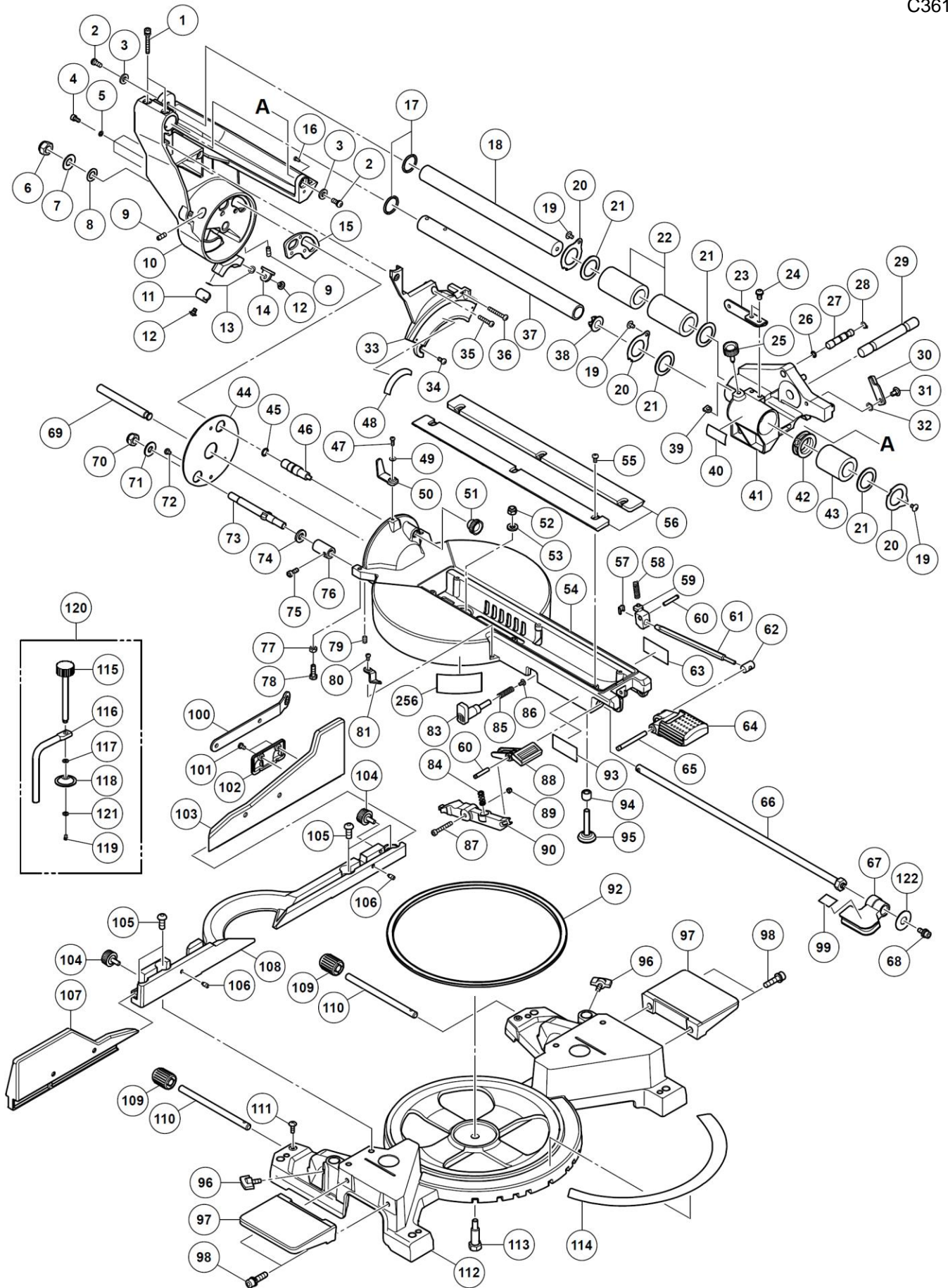


ELECTRIC TOOL PARTS LIST

■ CORDLESS SLIDE COMPOUND SAW
Model C 3610DRA

2018 • 12 • 12
(E1)





PARTS

C3610DRA

ITEM NO.	CODE NO.	DESCRIPTION	NO. USED	REMARKS
1	372555	HEX.SOCKET HD.CAP SCREW	2	
2	372556	HEX SOCKET TRUSS HEAD & WASHER ASS.	2	
3	372561	FLAT WASHER	2	
4	372577	HEX.SOCKET HD.CAP SCREW	3	
5	372450	EXTERNAL TOOTH LOCK WASHER	3	
6	372500	NUT CHUCK	1	
7	372453	DISC SPRING WASHER	1	
8	372559	FLAT WASHER	1	
9	372553	HEX. SOC. SET SCREW	2	
10	373689	ARM-MITER	1	
11	372623	PLATE	1	
12	372625	CR. RE. TRUSS HD. ROUND NECK SCREW	2	
13	372018	WAVE WASHER	2	
14	372622	PLATE	1	
15	372524	SET PLATE	1	
16	372521	RUBBER PAD	1	
17	372458	O-RING ROD	2	
18	372515	MITER BAR ASS'Y	1	
19	372543	CR.RE.TRUSS HD. SCREW	3	
20	372519	BEARING COVER	3	
21	372491	BLANKET WASHER	4	
22	372490	LINEAR MOTION BEARING	2	
23	372569	SET PLATE	1	
24	372503	HEX. SOCKET TRUSS HD. WASHER SCREW	2	
25	372585	CLAMP HANDLE	1	
26	372050	O-RING	1	
27	372481	CLEVIS PIN	1	
28	372454	C-RING	1	
29	372489	SHAFT	1	
30	372566	ANCHOR PLATE	1	
31	372567	CR.RE.TRUSS HD. ROUND NECK SCREW	1	
32	327354	WAVE WASHER	2	
33	372533	ARM MITER COVER	1	
34	372024	CR. RE. PAN HD. TAPPING SCREW, M5X12	2	
35	372059	CR. RE. PAN HD. TAPPING SCREW, M5X16	1	
36	372573	CR. RE. PAN HD. TAPPING SCREW, M5X35	1	
37	372516	MITER BAR	1	
38	372511	FRAME ENDCAP, BLACK PLASTIC	1	
39	372513	SPACER	2	
40	372617	WARNING LABEL	1	
41	373688	SLIDE-BAR SEAT (FRONT)	1	
42	372512	WASHER BEARING	1	
43	372523	LINEAR MOTION BEARING	1	
44	372514	SET PLATE	1	
45	372456	O-RING	1	
46	372510	LOCATING BAR	1	
47	372466	CR. RE. PAN HD. SCREW	1	
48	372628	TILTING SCALE	1	
49	327352	FLAT WASHER	1	
50	372536	NEEDLE POINTER	1	
51	372583	CLAMP BOLT	1	
52	372073	LOCK NUT	1	
53	726478	FLAT WASHER	1	
54	372587	TABLE	1	
55	372552	CR. RE. PAN HD. SCREW, M5X10	6	
56	372610	TABLE INSERT	2	
57	372731	STOP PLATE	1	
58	372478	COMPRESSION SPRING	1	
59	372595	BRACKET STOP	1	
60	372474	ROLL PIN	2	
61	372593	LOCATING BAR	1	
62	372592	SPECIAL NUT	1	
63	372613	CAUTION LABEL	1	

PARTS

C3610DRA

ITEM NO.	CODE NO.	DESCRIPTION	NO. USED	REMARKS
64	372589	CLAMP HANDLE	1	
65	372629	ROLL PIN	1	
66	372594	LOCKING ROD	1	
67	372590	KNOB	1	
68	726539	HEX SOC. HD. CAP SCREW	1	
69	372517	SHAFT-PIVOT	1	
70	339796	NUT CHUCK	1	
71	949434	FLAT WASHER	1	
72	372548	CR. RE. PAN HD. SCREW	1	
73	372532	SPECIAL BOLT	1	
74	339832	FLAT WASHER	1	
75	372564	HEX.SOCKET HD.CAP SCREW	1	
76	372497	BUSHING	1	
77	372505	HEX. NUT	2	
78	372459	HEX. HD. BOLT	2	
79	968247	HEX. SOC. SET SCREW	1	
80	949236	CR. RE. PAN HD. SCREW	1	
81	372576	NEEDLE POINTER	1	
83	372530	PLUNGER HANDLE	1	
84	372504	COMPRESSION SPRING	1	
85	372502	COMPRESSION SPRING	1	
86	372486	CR. RE. TRUSS HD. SCREW	1	
87	372572	ALLEN BOLT	1	
88	372588	HANDLE	1	
89	426615	LOCK NUT	1	
90	372591	PLUNGER HANDLE	1	
92	373962	SLIDE PLATE	1	
93	372614	CAUTION LABEL	1	
94	372529	ADJUSTABLE NUT	1	
95	372528	LEVELING PAD	1	
96	372586	CLAMP HANDLE	2	
97	373681	EXTENSION TABLE	2	
98	373665	HEX.SOCKET HD.CAP SCREW	4	
99	372618	WARNING LABEL	1	
100	372446	BLADE WRENCH	1	
101	372549	CR. RE. PAN HD. SCREW	7	
102	372525	WRENCH SET	1	
103	372582	ASSIST-FENCE(RIGHT)	1	
104	372584	CLAMP BOLT	2	
105	726318	HEX. SOC. TRUSS HD. SCREW	4	
106	372479	HEX. SOC. SET SCREW	2	
107	372581	ASSIST-FENCE(LEET)	1	
108	372580	FENCE	1	
109	372570	REAR SUPPORT TUBE	2	
110	372570	REAR SUPPORT TUBE	2	
111	372464	CR. RE. TRUSS HD. SCREW	2	
112	373687	BASE	1	
113	372442	CENTER BOLT	1	
114	372612	BRACKET-TILT	1	
115	373666	HANDLE BAR ASS'Y	1	
116	373668	WISE BEARING	1	
117	373677	FLAT WASHER	1	
118	373667	FLANGE	1	
119	373675	CR. RE. TRUSS HD. SCREW & WASHER	1	
120	372531	WISE ASS'Y	1	
121	373678	FLAT WASHER	1	
122	373961	FLAT WASHER	1	
131	372121M	BATTERY (USA, CAN)	1	
132	373762	MOTOR ASS'Y	1	
133	373763	HOUSING ASS'Y	1	
134	373913	MV LABEL (A)	1	
135	361094	ROTOR ASS'Y	1	
136	372405	BALL BEARING	1	

PARTS

C3610DRA

ITEM NO.	CODE NO.	DESCRIPTION	NO. USED	REMARKS
137	726512	RETAINING RING	1	
138	372412	FRONT HOUSING	1	
139	372404	M5 SCREW	3	
140	341011	WIRING ASS'Y	1	
142	301653	TAPPING SCREW D4 W/F	9	
143	373797	CR.RE.PAN HD. SCREW & WASHER	4	
144	337914	MV LABEL (B)	1	
145		LABEL	1	
146	372212	SENSOEMATIC CHIP	1	
147	372537	BUTTON SWITCH	1	
149	373685	SWITCH MOUNTING	1	
150	373664	CR.RE.PAN HD. TAPPING SCREW	2	
151	372550	CR.RE.PAN HD. SCREW	2	
152	373683	MOTORHANDLE (UP)	1	
153	372488	CR.RE.PAN HD. TAPPING SCREW	4	
154	372441	COMPRESSION SPRING	1	
155	373686	TRIGGER	1	
156	372538	TORDION SPRING	1	
157	373949	PANEL SWITCH ASS'Y	1	
158	372551	CR.RE.PAN HD. SCREW	1	
159	371907	SWITCH (A)	1	
160	373684	MOTOR HANDLE (DOWN)	1	
161	373700	WARNING LABEL	1	
162	372415	GEAR BOX	1	
163	372414	LOCK KNOB	1	
164	372416	COMPRESSION SPRING	1	
165	372422	NEEDLE ROLLER	2	
166	372423	OIL PAPER	1	
167	372391	BALL BEARING	1	
168	372397	HEX. SOCKET TRUSS HD. SCREW	5	
169	372396	PARALLEL KEY	1	
170	372411	GEAR SHAFT	1	
171	372436	STRAIGHT BEVEL GEAR	1	
172	372435	BUMPER	1	
173	372434	CENTER SHAFT WASHER	1	
174	372403	C-RING	1	
175	372389	BALL BEARING	1	
176	372433	PARALLEL KEY	1	
177	372408	CUTTER SHAFT	1	
178	372390	BALL BEARING	1	
179	372409	COLLAR	1	
180	372410	HELIX GEAR	1	
181	317578	C-RING	1	
182	326905	NEEDLE BEARING	1	
183	372413	CLEVIS PIN	1	
184	372498	CR. RE. TRUSS HD. ROUND NECK SCREW	1	
185	372596	LEVER	1	
186	372501	FLAT WASHER	2	
187	339840	NUT	1	
188	372635	CR.RE.PAN HD. ROUND NECK SCREW	1	
189	372465	CR.RE.COUNT HD. SCREW	1	
190	373698	BRACING PLATE (METABO-HPT)	1	
191	372455	SELF-LOCKING RING	2	
192	372444	ROLLING WHEEL	2	
193	372445	BEARING	2	
194	373822	PC-GUARD	1	
195	314474	LOCK NUT	3	
196	373680	CR.RE.COUNT HD. TAPPING SCREW	3	
197	372496	SPRING GUARD	1	
198	372460	HEX. SOCKET HD. CAP BOLT	1	
199	372443	ANCHOR BLOCK	1	
200	372547	CR.RE. PAN HD. ROUND NECK SCREW	1	
202	372542	CR. RE. TRUSS HD. SCREW	1	
203	373821	CUTTER SHAFT GUARD	1	
204	372499	NUT CHUCK	2	

PARTS

C3610DRA

ITEM NO.	CODE NO.	DESCRIPTION	NO. USED	REMARKS
205	372730	SPACER	1	
206	372631	BUSH	4	
207	372630	SEGMENT HANDLE	1	
208	372485	CR. RE. PAN HD. SCREW & WASHER	4	
209	373682	BUSH	1	
210	372608	CLAMP HANDLE	1	
211	372562	HEX. SOCKET SET SCREW	1	
212	372432	HEX. SOCKET HD. CAP BOLT	1	
213	372430	FLAT WASHER	1	
214	372554	HEX. COCKET SET SCREW	2	
215	372600	CABLE COVER	1	
217	372634	CAUTION LABEL	1	
218	372620	CABLE SHIELD	1	
219	372487	CR.RE. PAN HD. SCREW	3	
220	372417	OIL CAP	1	
221	372429	HEX. SOCKET TRUSS HD. SCREW	1	
222	372557	HEX. WASHER HD. BOLT	1	
223	372494	ARBOR COLLAR	2	
224	373417	TCT SAW BLADE	1	
225	372601	LAMP SOCKET	1	
226	372605	LED LIGHT	1	
227	372546	CR.RE.PAN HD. TAPPING SCREW	2	
228	372606	INSERT	1	
229	372520	SHAFT SLEEVE	1	
230	372518	TORSION SPRING	1	
231	372428	HEX. SOCKET HD. CAP SCREW	4	
232	372565	CAUTION LABEL	1	
233	373690	ARM	1	
234	372627	WARNING LABEL	1	
235		LED LABEL	1	
237	372545	CR.RE.PAN HD. TAPPING SCREW	1	
238	372526	LASER COVER	1	
239	373674	CR.RE. COUNT HD SCREW	2	
240	373676	FLAT WASHER	2	
241	373673	PLUNGER HOUSING	1	
242	373672	LASER PLUNGER HOUSING	1	
243	372527	COVERLASER COVER	1	
244	372626	LASER STICKER	1	
245	372541	CR.RE.COUNT HD. SCREW	4	
246	372544	CR.RE.PAN HD. TAPPING SCREW	1	
247	372522	INSERT	1	
248	373670	LASER SET	1	
249	373671	PIVOT-SUPPORT	1	
250	373679	BUTTON	2	
251	373669	PIN	2	
252	372621	LASER ASS'Y	1	
253	373663	CR.RE.PAN HD. TAPPING SCREW	2	
254	373693	SUPPORT SEAT	1	
255	373692	RUBBER SLEEVE	1	
256	373908	WARNING LABEL	1	
257		LABEL	1	
258		LABEL	1	
259	373911	WARNING LABEL	1	
260	373415	TCT SAW BLADE, D30 HOLE	1	
261	373416	TCT SAW BLADE, D52.4 HOLE	1	
262	372120	BATTERY (EUROPE, ASIA,AUS,NZL)	1	
263	ET36AM	AC/DC ADAPTOR (USA, CAN)	1	
264	373923	BRACING PLATE (HIKOKI)	1	
265	373963	COLLAR (OD30)	1	
266	373964	COLLAR (OD25.4)	1	

STANDARD ACCESSORIES

C3610DRA

ITEM NO.	CODE NO.	DESCRIPTION	NO. USED	REMARKS
501	373694	BAG-DUST (METABO-HPT)	1	
502	UC18YSL3	BATTERY CHARGER, (120V USA PLUG)	1	
503	329897	BATTERY COVER	1	
504	373912	BAG-DUST (HIKOKI)	1	
505		BATTERY CHARGER (230V EUOPE PLUG)	1	
506		BATTERY CHARGER, (230V UK PLUG)	1	
507		BATTERY CHARGER, (240V AUSTRALIA PLUG)	1	
508	374294	ELBOW	1	

OPTIONAL ACCESSORIES

ITEM NO.	CODE NO.	DESCRIPTION	NO. USED	REMARKS

