

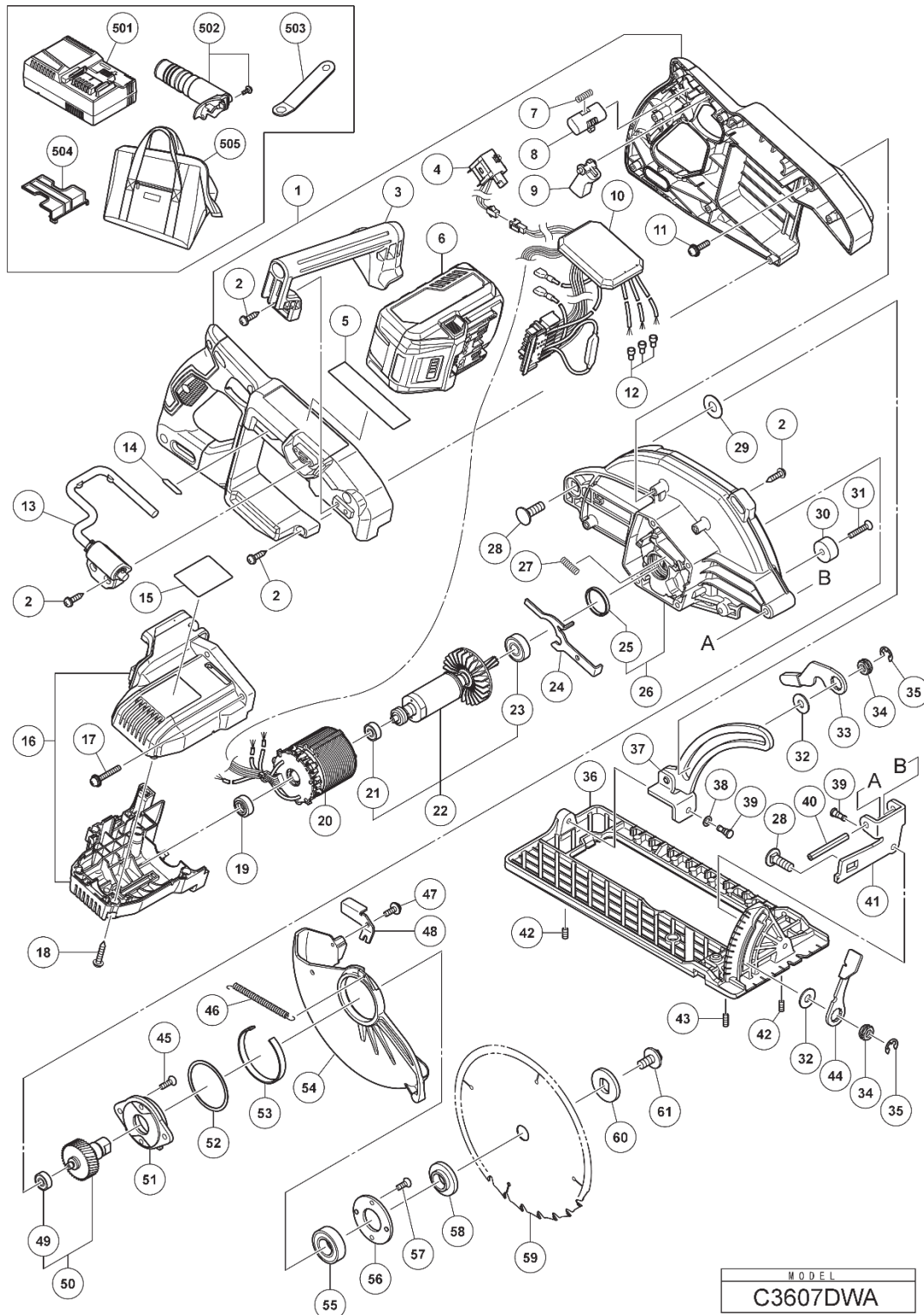
ELECTRIC TOOL PARTS LIST

CORDLESS CIRCULAR SAW

2021 • 10 • 15

Model C 3607DWA

(E1)



Rev.1

PARTS

C3607DWA

ITEM NO.	CODE NO.	DESCRIPTION	NO. USED	REMARKS
1	378045	HANDLE (A).(B) SET	1	
2	307811	TAPPING SCREW (W/FLANGE) D4X16 (BLACK)	13	
3	378047	SUB HANDLE	1	
4	371907	SWITCH	1	
5		LABEL	1	
6	372121M	BATTERY BSL 36B18 (USA.CAN)	1	INCLUD.504
7	301631	SPRING (F)	1	
8	374780	KNOB	1	
9	338899	TRIGGER	1	
10	378040	CONTROLLER (A)	1	
11	887021	SCREW (W/WASHERS) M5X16 (BLACK)	3	
12	959141	CONNECTOR 50092 (10 PCS.)	3	
13	378041	HOOK	1	
14	373913	MV LABEL (A)	1	
15		LABEL	1	
16	378044	HOUSING (A).(B) SET	1	
17	880561	MACHINE SCREW (W/WASHERS) M5X30	4	
18	301653	TAPPING SCREW (W/FLANGE) D4X20 (BLACK)	6	
19	376160	BEARING BUSHING	1	
20	341089	STATOR SENSOR PCB	1	
21	606ZZM	BALL BEARING 606VV	1	
22	361159	ROTOR ASS'Y	1	INCLUD.21.23
23	6000VV	BALL BEARING 6000VVCMP2L	1	
24	378037	LOCK LEVER	1	
25	318647	RUBBER RING	1	
26	378046M	GEAR COVER ASS'Y	1	INCLUD.25
27	334225	SPRING	1	
28	372774	BOLT (SQUARE) M8	2	
29	957540	WASHER (A)	1	
30	337080	CUSHION	1	
31	377945	FLAT HD. SCREW M6X20	1	
32	323212	BOLT WASHER M8 (BLACK)	2	
33	378345	LEVER (A)	1	
34	372772	LOCK NUT	2	
35	670514	RETAINING RING (E-TYPE) FOR D10 SHAFT	2	
36	378048	BASE	1	
37	378042	LINK	1	
38	322852	WASHER (B)	1	
39	378344	STEP PIN	2	
40	949750	ROLL PIN D6X50 (10 PCS.)	1	
41	378049	BEVEL PLATE (A)	1	
42	319541	SEAL LOCK HEX. SOCKET SET SCREW M5X6	2	
43	373815	SEAL LOCK HEX. SOCKET SET SCREW M6X10	1	
44	372745	LEVER	1	
45	992013	SEAL LOCK FLAT HD. SCREW M5X14	2	
46	378038	RETURN SPRING	1	
47	935196	MACHINE SCREW (W/WASHERS) M4X12 (BLACK)	1	
48	378050	LEVER	1	
49	606ZZM	BALL BEARING 606VV	1	
50	378043	SPINDLE GEAR SET	1	INCLUD.49
51	373810	BEARING HOLDER	1	
52	370591	WASHER	1	
53	373811	BUSH	1	
54	378036	LOWER GUARD	1	
55	6003VV	BALL BEARING 6003VVCMP2L	1	
56	302435	BEARING COVER	1	
57	990430	SEAL LOCK FLAT HD. SCREW M4X10	2	
58	320970	WASHER (A)	1	
59		BLADE	1	
60	333555	WASHER (B)	1	
61	378039	HEX. SOCKET HD. BOLT M8X15.5	1	

