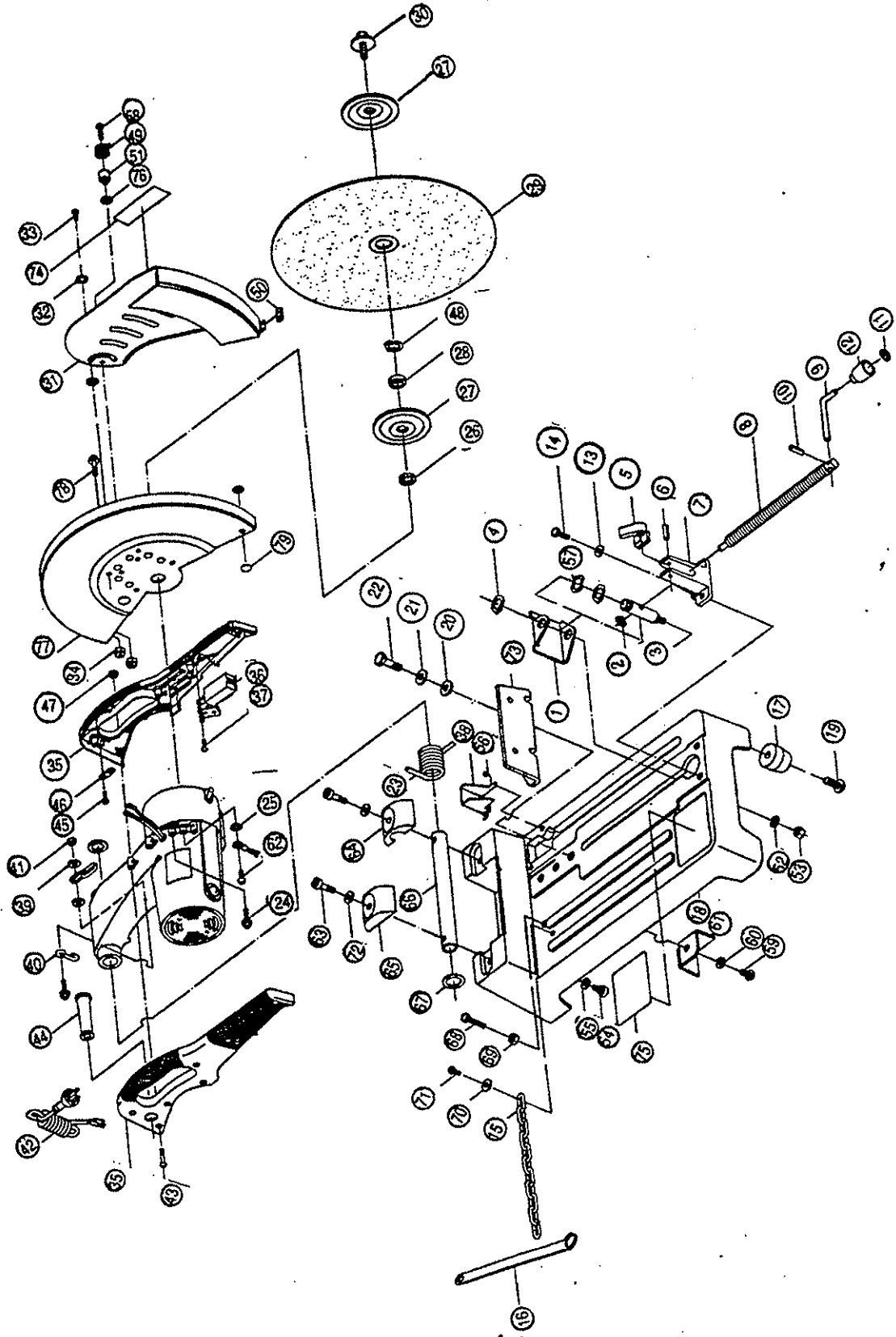


14" CUT-OFF MACHINE

C356T3



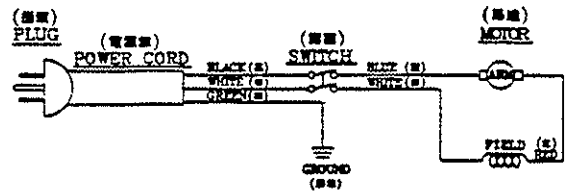
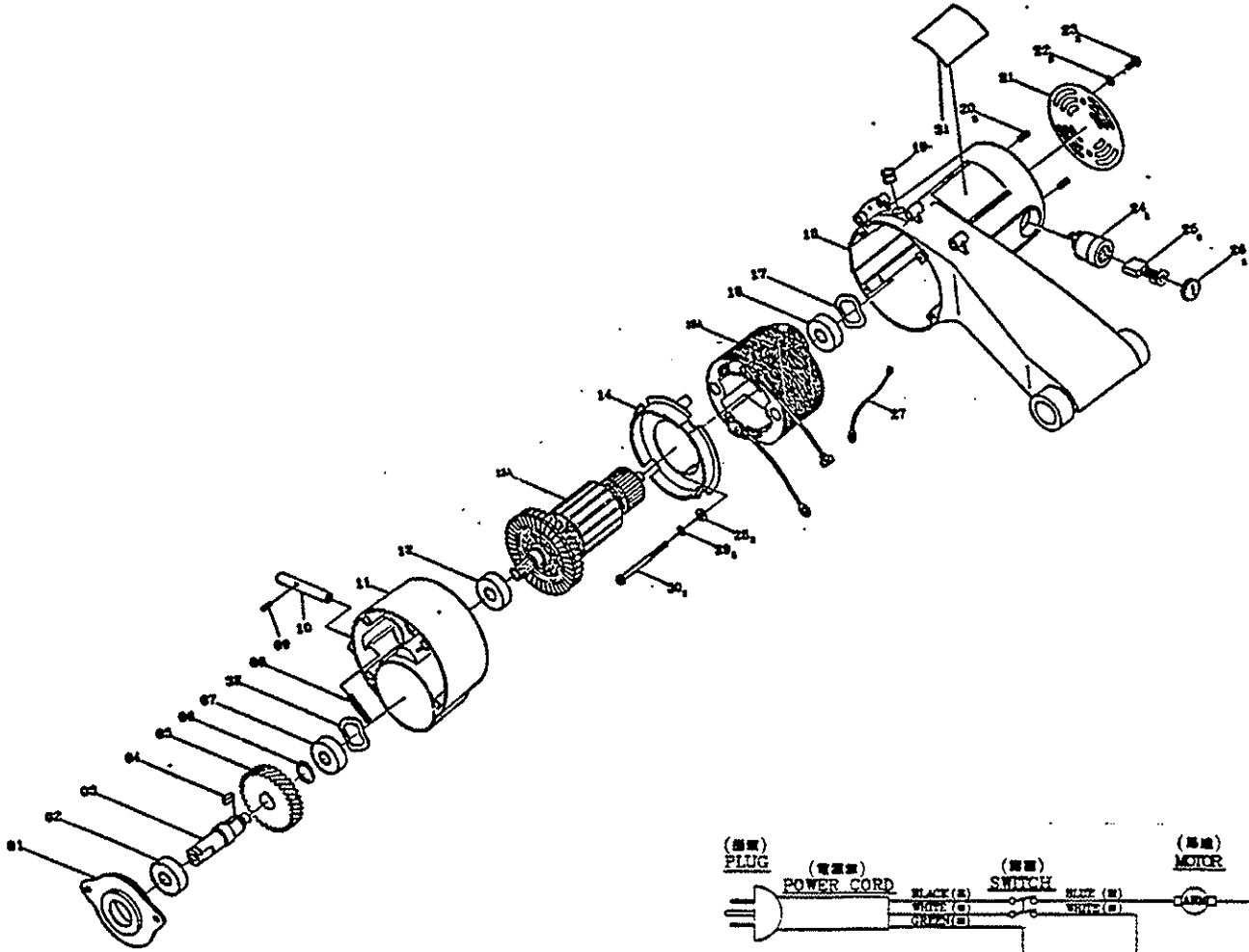
PARTS LIST FOR AFTER SALES SERVICE MODEL C356T3

QTY	PART NO.	DESCRIPTION	QTY	REF	PART NO.	DESCRIPTION	QTY
	4980022	HOLDER	1	54	4132405	HEX. SOC. HD. CAP BOLT	1
2	4100031	C-RING	1	55	4900079	SPRING WASHER	1
3	4100032	SUPPORT	1	56	4130246	CR. RE. PAN HD. SCREW	1
4	4100033	C-RING	1	57	4900080	WAVE WASHER	1
5	4130228	CLUTCH	1	58	4130247	CR. RE. ROUND WASHER HD.	1
6	4120026	SPRING PIN	1	59	4130248	CR. RE. PAN HD. SCREW	1
7	4800023	PLUNGER HOUSING	1	60	4900079	SPRING WASHER	1
8-12	4130229	SCREW BAR, ASSY	1	61	4010020	MATEL LEG	1
13	4130230	SPRING WASHER	1	62	4130249	CR. RE. PAN HD. SCREW	1
14	4130231	HEX HD. BOLT	1	63	4130250	HEX SOC HD. CAP. BOLT	1
15	4860019	CHAIN	1	64	4100036	CENTER SHAFT SET PLATE	1
16	4240013	WRENCH HEX.	1	65	4100037	CENTER SHAFT SET PLATE	1
17	4370019	FOOT	1	66	4100038	CENTER SHAFT	1
18	4850021	BASE	1	67	4900081	CENTER SHAFT WASHER	1
19	4130232	CRE. RE. PAN HD. SCREW	1	68	4130251	HEX HD. BOLT	1
20	4900073	FLAT WASHER	1	69	4130252	FLAT WASHER	1
21	4900074	SPRING WASHER	1	70	4130253	FLAT WASHER	1
22	4130233	HEX HD. BOLT	1	71	4130254	CR. RE. PAN HD. SCREW	1
23	4180022	TORSION SPRING	1	72	4900082	SPRING WASHER	1
24	4130234	CR.RE. PAN HD. SCREW	1	73	4950023	FENCE	1
25	4900075	EXTERNAL TOOL LOCK WASHER	1	74	4910016	TRADE-MARK	1
26	4900076	COLLAR	1	75	4910017	WARNING LABEL	1
27	4940012	FLANGE	1	76	4900083	WASHER	1
	4900077	COLLAR	1	77	4880047	GUARD	1
	4700025	CUTTING WHEEL	1	78	4130258	BOLT	1
30	4130234	HEX HD. SCREW AND WASHER	1	79	4120027	RUBBER PLUG	1
31	4880042	MOVABLE COVER ASS'Y	1				
32	4130236	NYLON WASHER	1				
33	4130237	CRE.RE. PAN HD. ROUND NECK	1				
34	4130238	NUT CHUCK	1				
35	4830024	MOTOR HANDLE ASS'Y	1				
36	4130239	CRE.RE. TRUSS HD. TAPPING	1				
37	4550033	TRIGGER SWITCH	1				
38	4880043	REAR LOWER GUARD	1				
39	4130240	FLAT WANSER	1				
40	4860020	HOOK	1				
41	4130241	NUT CHUCK	1				
42	4520013	POWER CABLE	1				
43	4130242	CR. REL PAN HD. SCREW	1				
44	4560025	GUARD CORD	1				
45	4130239	CR. RE TRUSS HD. TAPPING	1				
46	4520014	CLAMP CORD	1				
47	4130243	HEX NUT	1				
48	4100034	C-RING	1				
49	4180023	TORSION SPRING	1				
50	4880044	CLEAR PANEL	1				
51	4100035	SHAFT-PIVOT	1				
	4900078	FLAT WASHER	1				
	4130244	NUT CHUCK	1				

PARTS LIST FOR AFTER SALES SERVICE MODEL C356T3 (MOTOR)

REF	PART NO.	DESCRIPTION	QTY	REF	PART NO.	DESCRIPTION	QTY
1	4880045	BEARING RETAINER	1	16	968235005	BALL BEARING 6200ZZ	1
2	971803001	BALL BEARING	1	17	4900084	WAVE WASHER	1
3	4100039	ARBOR SHAFT	1	18	4800024	MOTOR HOUSING	1
4	4110015	PARALLEL KEY	1	19	4370020	RUBBER BUSHING	1
5	4200008	HELIX GEAR	1	20	4130259	HEX SOC SET SCREW	1
6	4100040	C-RING	1	21	4880046	COVER PLATE	1
7	989377002	BALL BEARING 6000ZZ	1	22	4900085	EXTERNAL TOOTH LOCK WASHE	1
8	41800024	COMPRESSION SPRING	1	23	4130260	CR. RE PAN HD. SCREW	1
9	4120028	SPRING PIN	1	24	4570007	BRUSH HOLDER	1
10	4120029	STOP PIN	1	25	4540005	BRUSH ASS'Y	1
11	4820006	GEAR CASE	1	26	4540006	BRUSH COVER	1
12	969235004	BALL BEARING 6002ZZ	1	27	4590007	LEAD ASS'Y - BLUE	1
13	4460007	ARMATURE ASSY 120V	1	28	4900086	FLAT WASHER	1
14	4490003	BAFFLE	1	29	4900087	EXTERNAL TOOTH LOCK WASHE	1
15	4500007	FIELD ASS'Y	1	30	4130261	CR.-RE PAN HD. SCREW	1
				31	4910018	MOTOR NAMEPLATE	1

SERVICE NOTES:



SINGLE PHASE ELECTRIC CIRCUIT DIAGRAM
(XXXXXXXXXX)