

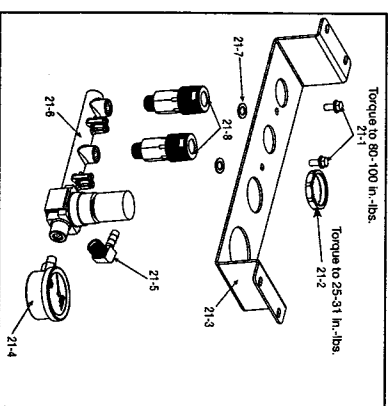
PORTER-CABLE®

C3001-1

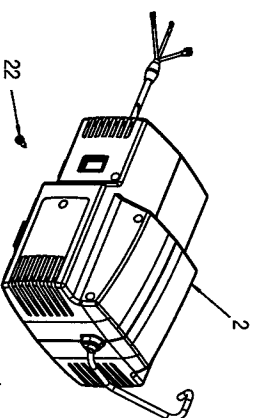
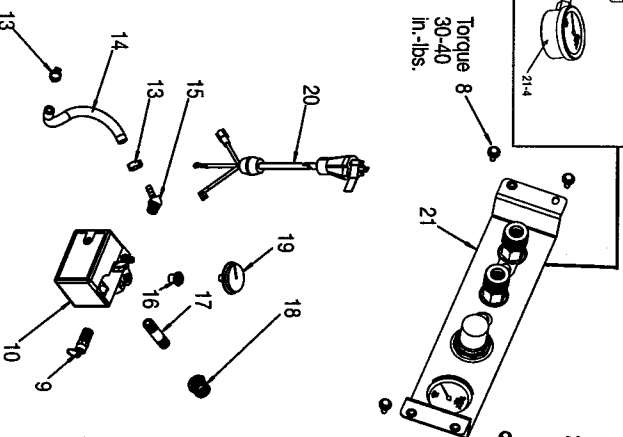
PORTABLE COMPRESSOR

Torque 10-80-100 in.-lbs.

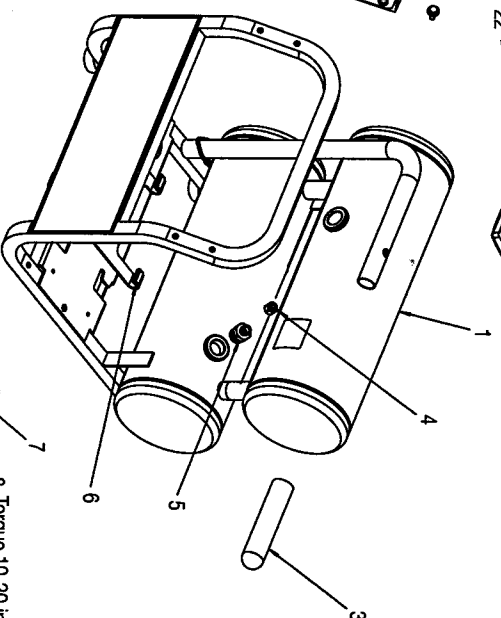
Torque to 25-31 in.-lbs.



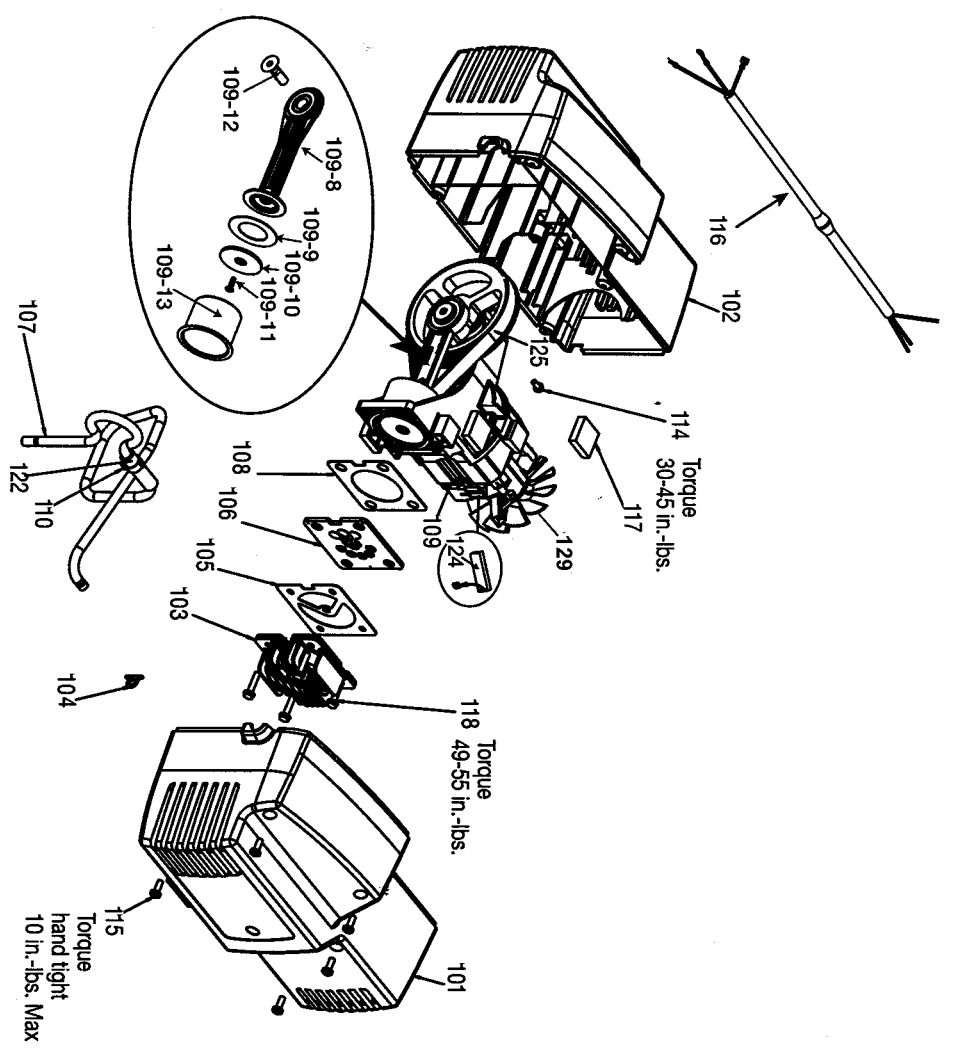
Torque 8
30-40
in.-lbs.



WARNING: Electrical repairs should only be attempted by trained repairmen. Contact the nearest Porter-Cable Service Center or other competent repair center.



8 Torque 10-20 in.-lbs.



Parts List for C3001 Type 1

Item Number	Part Number	Description	Qty Required
1	000000-00	No Longer Available	1
2	000000-00	No Longer Available	1
3	AC-0261	GRIP HANDLE 1.00 TUB	1
4	SSP-473	ASSY NUT SLEEVE 5/16	1
5	A19718	VALVE CHECK 1/2NPT X	1
6	CAC-1254	ISOLATOR PUMP	4
7	D24721	KIT ISOLATOR W/SCREW	4
8	91895680	SCREW .250-20X.750 H	1
9	D20114	VALVE SAFETY 175 .25	1
10	5140112-33	PRESSURE SWITCH	1
13	CAC-1206-1	CLAMP HOSE .250 ID H	2
14	H-7051	HOSE AIR 1/4 X 10 BL	1
15	D23299	FITTING 45DG ELBOW B	1
16	SSP-6021	BUSHING REDUCER 1/8-	1
17	D23699	NIPPLE .25NPT X 2.0	1
18	SSP-517	BUSHING HEX REDUCER	1
19	GA-373	USE Z-GA-373	1
20	D26616	CORD POWER SJOW 14GA	1
21	000000-00	No Longer Available	1
21	D28104	SCREW .250-20X.500 P	1
21	D20155	RING REGULATOR HI-FL	1
21	D23947	PANEL CONSOLE PC RED	1
21	Z-D28274	GAUGE 2 OD 200PSI 1/	1
21	SSP-537	FITTING 90DEG ELBOW	1
21	A13369	ASSY REGULATOR	1
21	N008792	REGULATOR RPR KIT	1
21	SSN-632	WASHER .875 OD .375	2

Parts List for C3001 Type 1

Item Number	Part Number	Description	Qty Required
21	A19513	BODY QC .250 IND .25	2
22	SSF-621	SCREW .250-14X.625 F	2
101	A06436	SHROUD KIT	1
102	A06436	SHROUD KIT	1
103	CAC-1196	HEAD UMC	1
104	N044359	TUBE SEAL	1
105	Z-D24819	GASKET HEAD UMC GRAP	1
106	N017592SV	VALVE PLATE ASSY	1
107	000000-00	No Longer Available	1
108	D30139	KIT GRAPHITE GASKET	1
109	N102531	PUMP KIT	1
109	D21127	SCREW #10-24X.563 PA	1
109	A19123	SCREW	1
109	N036518	CON ROD ASSY	1
109	N036517	CYLINDER KIT	1
110	CAC-1206-1	CLAMP HOSE .250 ID H	1
114	SUDL-9-1	SCREW #8-32X.375/.34	1
115	SSF-3156	SCREW #10-9X.500 THD	5
116	A02706	CORD ASSY UMC PANCAK	1
117	D25731	ISOLATOR PUMP	5
118	SSF-995	SCREW #10-24X.875 HH	4
122	N136310	TUBE ISOLATOR	2
124	Z-A02125	BRUSH MOTOR 3HP UMC	1
124	Z-D23825	BRUSH MOTOR UMC GSE	1
125	AC-0815	BELT TIMING DAYCO	1
129	D24595	FAN UMC MOTOR 8MM PL	1
856	A17038	DRAIN VALVE	1

Parts List for C3001 Type 1

Item Number	Part Number	Description	Qty Required
856	000000-00	No Longer Available	1
856	N008806	LABEL HOT SURFACE TR	1
856	LA-3115	LABEL	1
856	LA-3092-1	LABEL WARNING DRAIN	1