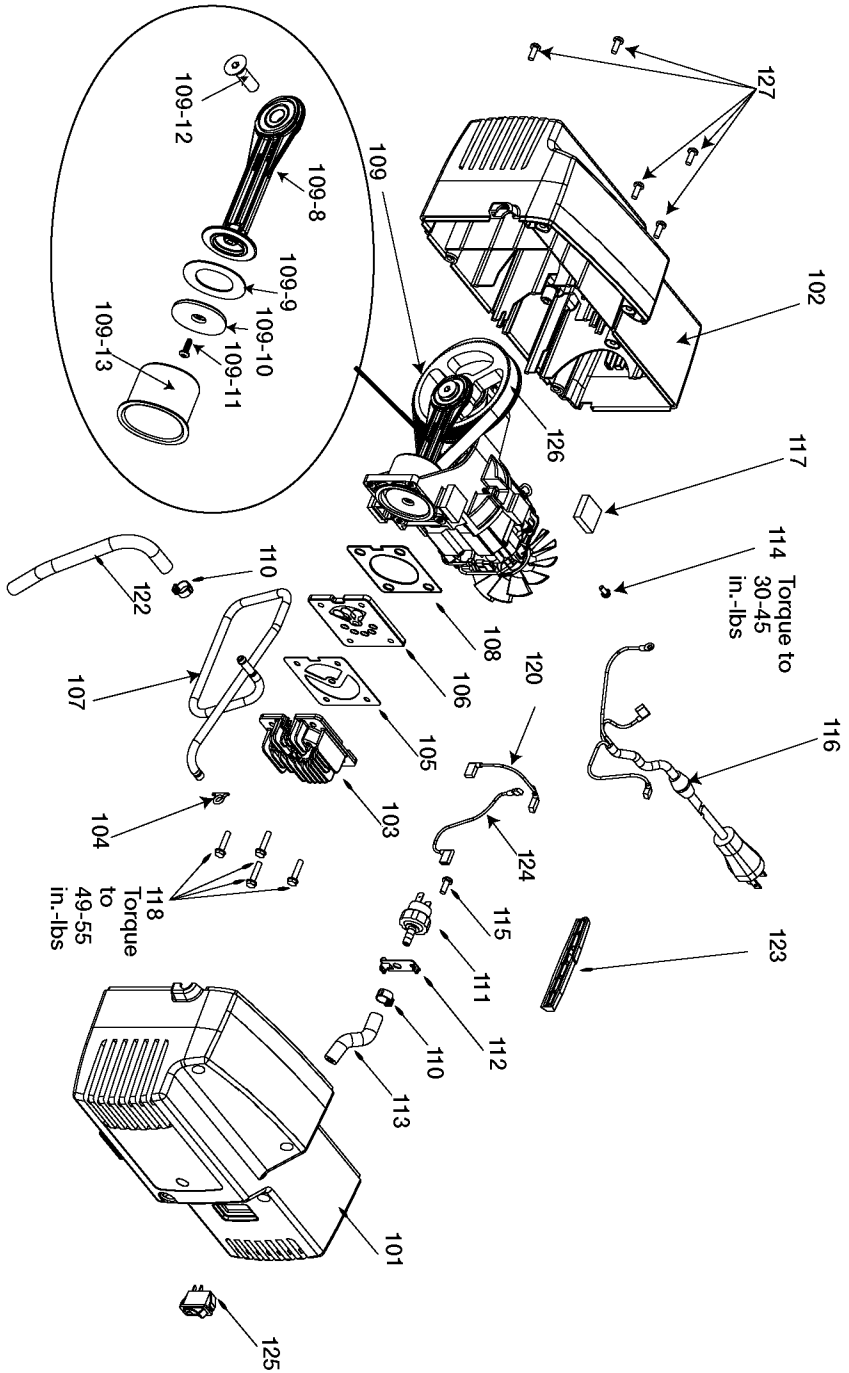


Torque to
10-20
in.-lbs



Parts List for C2001-WK Type 0

Item Number	Part Number	Description	Qty Required
1	000000-00	No Longer Available	1
2	91895680	SCREW .250-20X.750 H	1
3	D24721	KIT ISOLATOR W/SCREW	1
4	A16181	MANIFOLD	1
4	N008792	REGULATOR RPR KIT	1
5	Z-D27212	GAUGE 200PSI .125NPT	1
6	D28961	ELBOW 1/4NPT X 5/16	1
7	D20114	VALVE SAFETY 175 .25	1
8	A19713	VALVE CHECK 1/2NPT X	1
9	A19513	BODY QC .250 IND .25	1
10	GA-373	USE Z-GA-373	1
11	CAC-1206-1	CLAMP HOSE .250 ID H	1
12	SSF-621	SCREW .250-14X.625 F	1
17	CAC-1254	ISOLATOR PUMP	1
18	A17038	DRAIN VALVE	1
21	000000-00	No Longer Available	1
26	N044990	NIPPLE CLOSE 1/4-18	1
101	1000002762	SHROUD LEFT	1
102	1000002761	SHROUD RIGHT	1
103	CAC-1196	HEAD UMC	1
104	N044359	TUBE SEAL	1
105	D30139	KIT GRAPHITE GASKET	1
106	N017592SV	VALVE PLATE ASSY	1
107	A02124	TUBE OUTLET 5/16 OD	1
108	D30139	KIT GRAPHITE GASKET	1
109	N036518	CON ROD ASSY	1
109	D21127	SCREW #10-24X.563 PA	1

Parts List for C2001-WK Type 0

Item Number	Part Number	Description	Qty Required
109	A19123	SCREW	1
109	N036518	CON ROD ASSY	1
109	N102531	PUMP KIT	1
109	N036518	CON ROD ASSY	1
109	N036518	CON ROD ASSY	1
110	CAC-1206-1	CLAMP HOSE .250 ID H	1
111	N003307SV	PRESSURE SWITCH	1
112	N003307SV	PRESSURE SWITCH	1
113	N003307SV	PRESSURE SWITCH	1
114	SUDL-9-1	SCREW #8-32X.375/.34	1
115	SSF-3156	SCREW #10-9X.500 THD	1
116	000000-00	No Longer Available	1
117	D25731	ISOLATOR PUMP	1
118	SSF-995	SCREW #10-24X.875 HH	1
120	A04771	WIRE JUMPER 18 GA	1
122	N136310	TUBE ISOLATOR	2
123	D20492	HANDLE SUPPORT NON-S	1
124	A04772	WIRE JUMPER 18 GA YE	1
125	D28870	SWITCH ROCKER	1
126	AC-0815	BELT TIMING DAYCO	1
127	D29132	SCREW	5
856	N008888	LABEL	1
856	N008802	LABEL WARNING	1
856	N008806	LABEL HOT SURFACE TR	1
856	N036518	CON ROD ASSY	1
856	N003307SV	PRESSURE SWITCH	1
856	N036517	CYLINDER KIT	1

Parts List for C2001-WK Type 0

Item Number	Part Number	Description	Qty Required
856	D30139	KIT GRAPHITE GASKET	1
856	KK-4929	KIT FASTENER	1
856	LA-3092-1	LABEL WARNING DRAIN	1
856	N008800	LABEL WARNING FRENCH	1
856	A09924	ACCESSORY KIT	1
856	Z-A02125	BRUSH MOTOR 3HP UMC	2