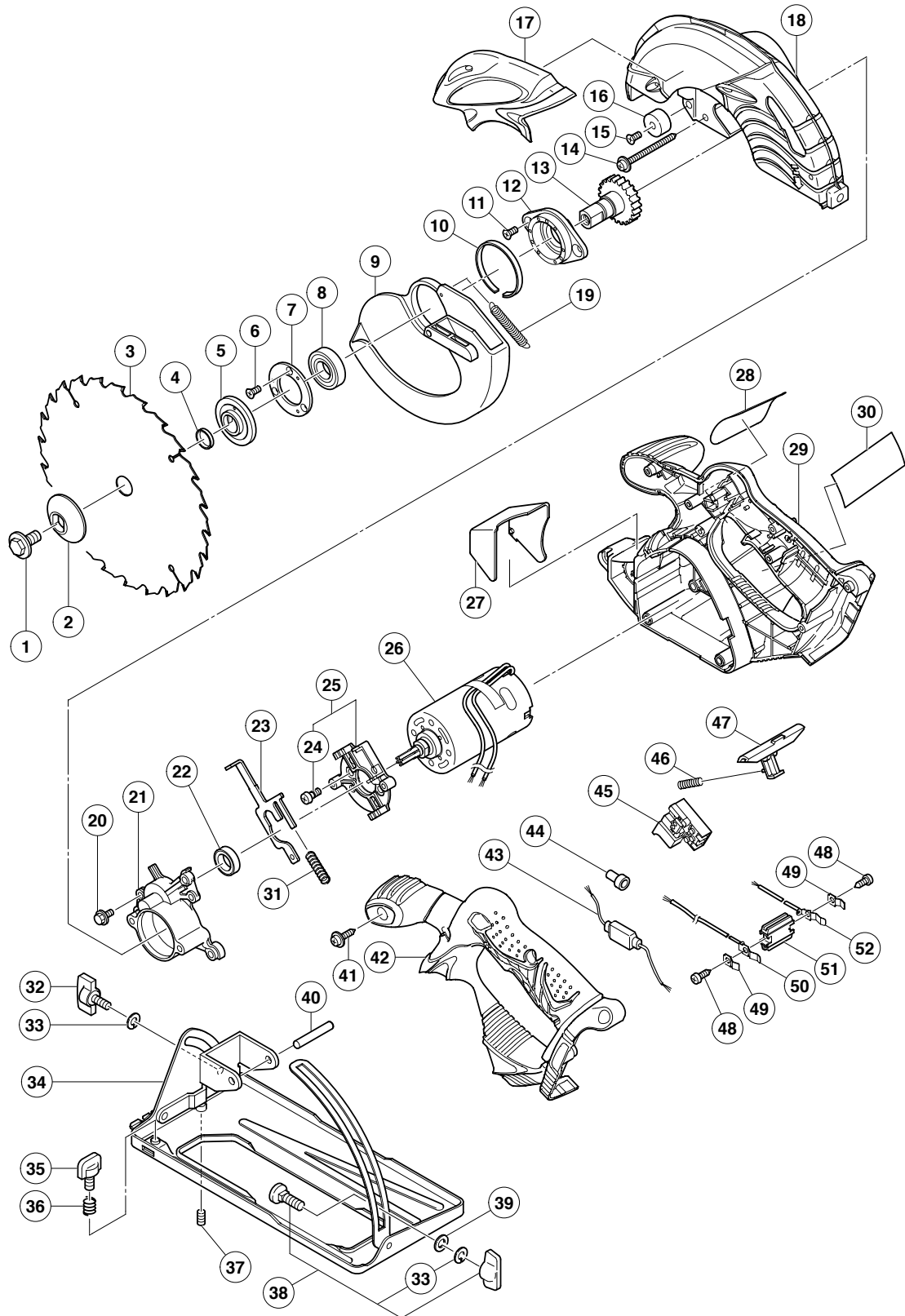


ELECTRIC TOOL PARTS LIST

CORDLESS CIRCULAR SAW
Model C 14DMR

2005 · 8 · 1
(E1)



PARTS

C 14DMR

| ITEM NO. | CODE NO. | DESCRIPTION | NO. USED | REMARKS |
|----------|----------|--|----------|-----------------------|
| 1 | 998-335 | BOLT (LEFT HAND) W/WASHER M7X17.5 | 1 | |
| 2 | 324-563 | WASHER (B2) | 1 | |
| 3 | 324-293 | TCT SAW BLADE 165MM-D15.9 HOLE-NT24 | 1 | |
| 4 | 990-100 | RING D15.9/I.D14.5 | 1 | |
| 5 | 317-466 | WASHER (A1) | 1 | |
| 6 | 308-773 | SEAL LOCK FLAT HD. SCREW M3X12 | 3 | |
| 7 | 308-362 | BEARING COVER | 1 | |
| 8 | 600-2VV | BALL BEARING 6002VVCMP2L | 1 | |
| 9 | 324-567 | PROTECTIVE COVER | 1 | |
| 10 | 318-192 | BUSHING | 1 | |
| 11 | 305-568 | SEAL LOCK FLAT HD. SCREW M5X12 | 2 | |
| 12 | 308-361 | BEARING HOLDER | 1 | |
| 13 | 324-564 | GEAR | 1 | |
| 14 | 317-449 | TAPPING SCREW (W/FLANGE) D5X50 | 3 | |
| 15 | 949-793 | FLAT HD. SCREW M5X20 (10 PCS.) | 1 | |
| 16 | 310-842 | CUSHION | 1 | |
| 17 | 324-903 | HITACHI PLATE | 1 | |
| 18 | 324-566 | SAW COVER | 1 | |
| 19 | 317-203 | RETURN SPRING | 1 | |
| 20 | 317-196 | NYLOCK BOLT (W/FLANGE) M4X12 | 2 | |
| 21 | 324-565 | INNER COVER (B) | 1 | |
| 22 | 609-VVM | BALL BEARING 609VVC2PS2L | 1 | |
| 23 | 324-568 | LOCK LEVER | 1 | |
| 24 | 317-914 | SPECIAL BOLT M5 | 2 | |
| 25 | 324-578 | INNER COVER (A) ASS'Y | 1 | INCLUD. 24 |
| 26 | 324-904 | MOTOR (B) | 1 | |
| 27 | 324-906 | LIGHT COVER | 1 | |
| 28 | | NAME PLATE | 1 | |
| 29 | 324-575 | HOUSING | 1 | |
| 30 | | CAUTION PLATE | 1 | |
| 31 | 961-803 | SPRING | 1 | |
| 32 | 308-364 | WING BOLT (A) M6X15 | 1 | |
| 33 | 948-167 | SUPER LOCK WASHER M6 | 2 | |
| 34 | 324-561 | BASE ASS'Y | 1 | INCLUD. 32, 33, 35-37 |
| 35 | 324-562 | KNOB BOLT | 1 | |
| 36 | 947-859 | LOCK SPRING | 1 | |
| 37 | 302-469 | SLOTTED HD. SET SCREW (SEAL LOCK) M6X6 | 1 | |
| 38 | 314-620 | BOLT ASS'Y (SQUARE) M6X22 | 1 | INCLUD. 33 |
| 39 | 949-425 | WASHER M6 (10 PCS.) | 1 | |
| 40 | 949-750 | ROLL PIN D6X50 (10 PCS.) | 1 | |
| 41 | 305-812 | TAPPING SCREW (W/FLANGE) D4X16 (BLACK) | 6 | |
| 42 | 324-905 | HANDLE COVER | 1 | |
| 43 | 324-573 | RESISTOR (A) | 1 | |
| 44 | 959-141 | CONNECTOR 50092 (10 PCS.) | 1 | |
| 45 | 319-825 | SWITCH (1P SCREW TYPE) W/O LOCK | 1 | |
| 46 | 301-631 | SPRING (F) | 1 | |
| 47 | 324-571 | KNOB | 1 | |
| 48 | 958-715 | TAPPING SCREW D4X10 | 2 | |
| 49 | 996-118 | HOLDER SPRING | 2 | |
| 50 | 321-000 | TERMINAL | 1 | |
| 51 | 320-997 | TERMINAL PIECE | 1 | |

