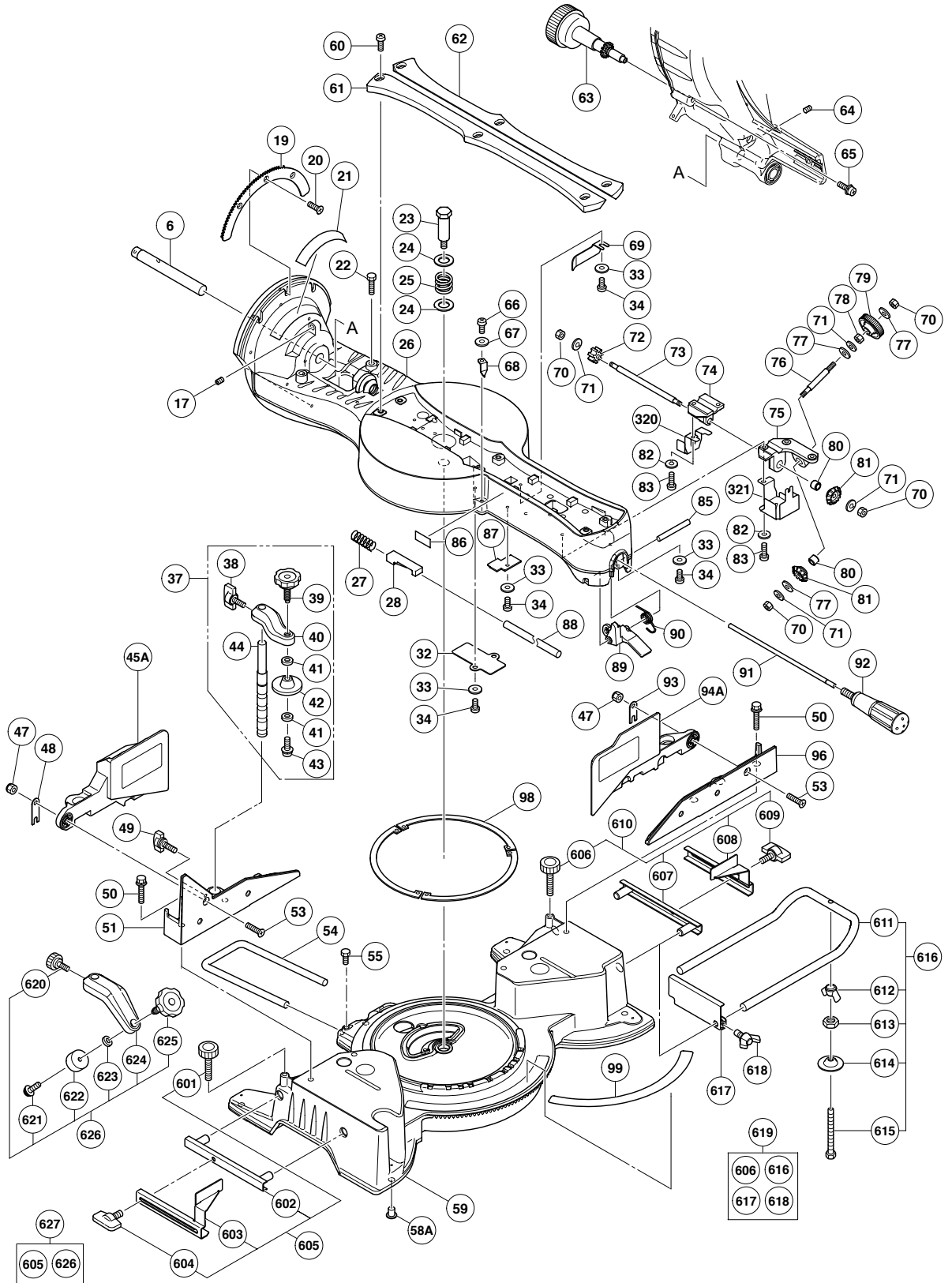
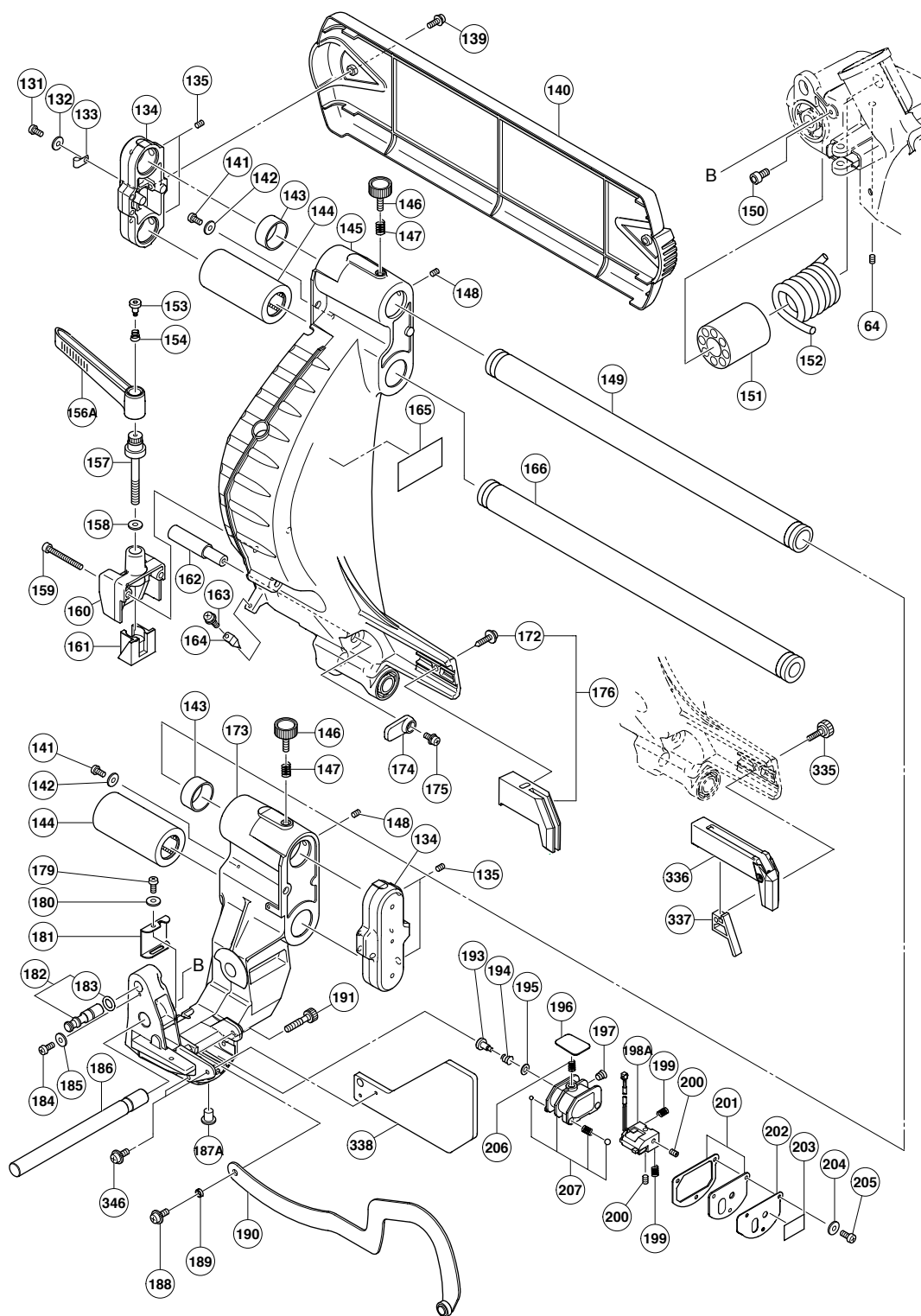
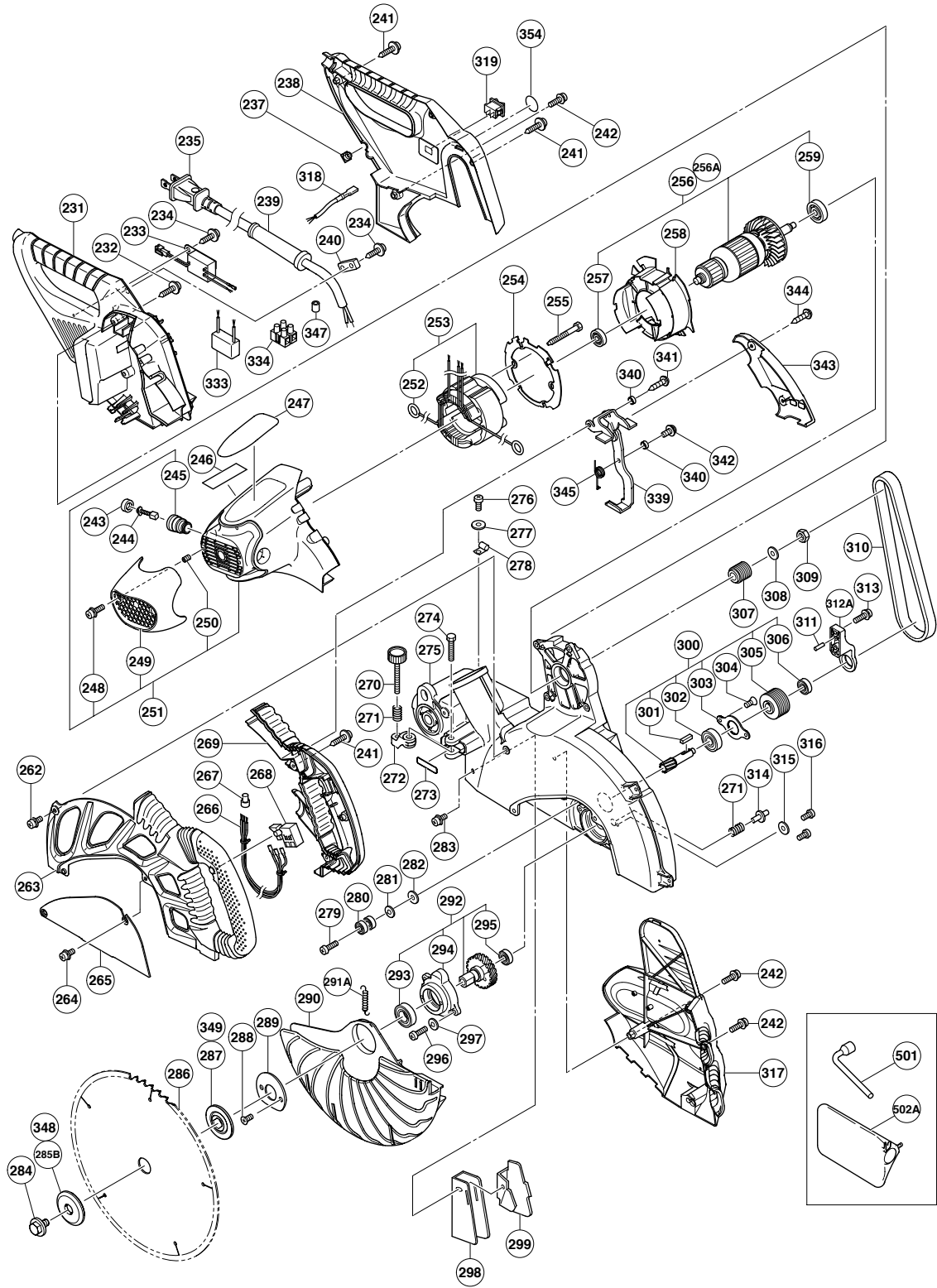


ELECTRIC TOOL PARTS LIST

■ SLIDE COMPOUND MITER SAW 2007 · 5 · 11 Model C 12RSH (E2)







PARTS

C 12RSH

ITEM NO.	CODE NO.	DESCRIPTION	NO. USED	REMARKS
6	324-391	HOLDER SHAFT	1	
17	324-612	NYLOCK HEX. SOCKET SET SCREW M8X16	1	
19	324-399	GEAR (A)	1	
20	949-325	FLAT HD. SCREW M4X16 (10 PCS.)	3	
21	324-416	SCALE (B)	1	
22	303-409	NYLOCK BOLT M8X25	2	
23	324-401	SHAFT (B)	1	
24	955-818	BOLT WASHER M16	2	
25	324-402	SPRING (B)	1	
26	324-394	TURN TABLE	1	
27	321-417	SPRING (E)	1	
28	322-280	STOPPER (A)	1	
32	321-336	PIN COVER	1	
33	949-429	BOLT WASHER M4 (10 PCS.)	4	
34	949-215	MACHINE SCREW M4X8 (10 PCS.)	4	
37	324-378	WISE ASS'Y	1	INCLUD. 38-44
38	307-947	WING BOLT M6X12	1	
39	308-396	KNOB BOLT M10	1	
40		SCREW HOLDER	1	
41	996-722	WASHER	2	
42	322-047	WISE PLATE	1	
43	996-247	MACHINE SCREW (W/WASHERS) M5X12 (BLACK)	1	
44	324-380	WISE SHAFT	1	
45A	324-454	SUB FENCE (B)	1	
47	311-144	NYLON NUT M6	2	
48	324-377	PLATE (B)	1	
49	302-459	WING BOLT M6X17	1	
50	307-221	BOLT (W/WASHERS) M8X35 (BLACK)	4	
51	324-385	FENCE (B)	1	
53	949-342	FLAT HD. SCREW M6X25 (10 PCS.)	2	
54	998-834	HOLDER	1	
55	949-610	BOLT M6X10 (10 PCS.)	1	
58A	323-606	BASE RUBBER	4	
59	324-456	BASE ASS'Y	1	INCLUD. 58, 99
60	302-317	MACHINE SCREW M5X16 (BLACK)	6	
61	324-411	TABLE INSERT (B)	1	
62	324-410	TABLE INSERT (A)	1	
63	324-370	KNOB (B)	1	
64	307-956	SEAL LOCK HEX. SOCKET SET SCREW M6X10	2	
65	307-294	MACHINE SCREW (W/WASHERS) M5X16 (BLACK)	1	
66	949-217	MACHINE SCREW M4X12 (10 PCS.)	1	
67	949-429	BOLT WASHER M4 (10 PCS.)	1	
68	321-329	INDICATOR	1	
69	321-342	SPACER (A)	1	
70	949-567	LOCK NUT M6 (10 PCS.)	4	
71	949-455	SPRING WASHER M6 (10 PCS.)	4	
72	324-407	GEAR (D)	1	
73	324-405	BEVEL SHAFT (B)	1	
74	324-404	SHAFT HOLDER (B)	1	
75	324-403	SHAFT HOLDER (A)	1	
76	324-408	BEVEL SHAFT (A)	1	

PARTS

C 12RSH

ITEM NO.	CODE NO.	DESCRIPTION	NO. USED	REMARKS
77	949-432	BOLT WASHER M6 (10 PCS.)	3	
78	949-556	NUT M6 (10 PCS.)	1	
79	324-409	KNOB (A)	1	
80	950-817	METAL D8X10	2	
81	324-406	BEVEL GEAR	2	
82	949-454	SPRING WASHER M5 (10 PCS.)	4	
83	949-241	MACHINE SCREW M5X20 (10 PCS.)	4	
85	321-339	LEVER SHAFT	1	
*	86	CAUTION LABEL (C)	1	FOR USA, CAN
	87	324-395 COVER (B)	1	
	88	324-396 SHAFT (C)	1	
	89	321-338 LEVER	1	
	90	321-340 SPRING (D)	1	
	91	322-282 SHAFT (A)	1	
	92	322-283 SIDE HANDLE	1	
	93	324-381 PLATE (A)	1	
	94A	324-455 SUB FENCE (A)	1	
	96	324-384 FENCE (A)	1	
	98	324-400 LINER	3	
	99	315-210 SCALE (A)	1	
	131	949-217 MACHINE SCREW M4X12 (10 PCS.)	1	
	132	949-429 BOLT WASHER M4 (10 PCS.)	1	
*	133	948-614 NYLON CLIP	1	
*	133	948-193 NYLON CLIP	1	FOR USA, CAN
*	133	967-579 NYLON CLIP	1	FOR TPE
	134	324-417 SUPPORT	2	
	135	961-554 HEX. SOCKET SET SCREW M8X10	4	
	139	307-294 MACHINE SCREW (W/WASHERS) M5X16 (BLACK)	2	
	140	324-383 SIDE COVER	1	
	141	949-215 MACHINE SCREW M4X8 (10 PCS.)	2	
	142	949-429 BOLT WASHER M4 (10 PCS.)	2	
	143	324-415 BUSHING	2	
	144	324-414 BALL BUSHING	2	
	145	324-413 HOLDER (A)	1	
	146	324-418 KNOB BOLT M6X25	2	
	147	947-859 LOCK SPRING	2	
	148	307-956 SEAL LOCK HEX. SOCKET SET SCREW M6X10	2	
	149	324-465 SLIDE PIPE (A)	1	
	150	877-839 SEAL LOCK HEX. SOCKET HD. BOLT M5X10	1	
	151	324-388 SLEEVE	1	
	152	310-898 SPRING	1	
	153	305-180 CLUTCH SCREW	1	
	154	305-179 CLUTCH SPRING	1	
	156A	325-298 CLAMP LEVER	1	
	157	323-903 BOLT M8X65	1	
	158	949-433 BOLT WASHER M8 (10 PCS.)	1	
	159	949-782 HEX. SOCKET HD. BOLT M6X50 (10 PCS.)	2	
	160	323-904 STOPPER HOLDER (C)	1	
	161	323-905 STOPPER (C)	1	
	162	324-420 SET PIN (A)	1	
	163	935-196 MACHINE SCREW (W/WASHERS) M4X12 (BLACK)	2	

PARTS

C 12RSH

ITEM NO.	CODE NO.	DESCRIPTION	NO. USED	REMARKS
164	321-329	INDICATOR	2	
165		CAUTION LABEL (B)	1	
166	324-466	SLIDE PIPE (B)	1	
* 172	305-558	TAPPING SCREW (W/FLANGE) D5X25 (BLACK)	1	FOR USA, CAN
173	324-467	HINGE (A)	1	
174	324-421	GRIP	1	
175	307-294	MACHINE SCREW (W/WASHERS) M5X16 (BLACK)	1	
* 176	324-372	GUARD ASS'Y	1	INCLUD. 172 FOR USA, CAN
179	949-215	MACHINE SCREW M4X8 (10 PCS.)	1	
180	949-429	BOLT WASHER M4 (10 PCS.)	1	
181	320-183	COVER	1	
182	324-419	STOPPER PIN ASS'Y	1	INCLUD. 183
183	872-645	O-RING (P-9)	1	
184	949-215	MACHINE SCREW M4X8 (10 PCS.)	1	
185	949-429	BOLT WASHER M4 (10 PCS.)	1	
186	324-387	HINGE SHAFT (A)	1	
187A	323-606	BASE RUBBER	1	
188	949-237	MACHINE SCREW M5X12 (10 PCS.)	1	
189	303-854	SPACER	1	
* 190	324-376	LINK	1	
* 190	328-522	LINK	1	FOR EUROPE, AUS, NZL
191	319-270	ADJUSTER	1	
193	305-180	CLUTCH SCREW	1	
194	305-179	CLUTCH SPRING	1	
195	962-614	ADJUSTING WASHER (B) T0.5	1	
196	319-268	PLATE (B)	1	
197	305-179	CLUTCH SPRING	1	
198A	321-348	LASER MARKER	1	
199	319-267	SPRING	2	
200	319-541	SEAL LOCK HEX. SOCKET SET SCREW M5X6	2	
201	319-271	COVER (A)	1	
202	322-291	PLATE (A)	1	
203		CAUTION LABEL (J)	1	
204	949-429	BOLT WASHER M4 (10 PCS.)	3	
205	949-217	MACHINE SCREW M4X12 (10 PCS.)	3	
206	319-267	SPRING	1	
207	319-269	HOLDER (B)	1	
231	324-460	HANDLE (L)	1	
232	305-558	TAPPING SCREW (W/FLANGE) D5X25 (BLACK)	4	
* 233	323-978	SWITCHING POWER SUPPLY	1	
* 233	322-911	SWITCHING POWER SUPPLY	1	FOR USA, CAN
* 233	324-322	SWITCHING POWER SUPPLY	1	FOR GBR (110V), TPE
234	984-750	TAPPING SCREW (W/FLANGE) D4X16	3	
* 235	500-234Z	CORD	1	(CORD ARMOR D10.1)
* 235	500-247Z	CORD	1	(CORD ARMOR D10.1) FOR NOR, SWE, FIN, DEN
* 235	500-461Z	CORD	1	(CORD ARMOR D10.1) FOR GBR (110V)
* 235	500-435Z	CORD	1	(CORD ARMOR D10.1) FOR GBR (230V)
* 235	500-447Z	CORD	1	(CORD ARMOR D10.1) FOR SUI, LIB
* 235	500-453Z	CORD	1	(CORD ARMOR D10.1) FOR USA, CAN
* 235	500-439Z	CORD	1	(CORD ARMOR D10.1) FOR AUS, NZL
* 235	500-456Z	CORD	1	(CORD ARMOR D10.1) FOR CHN

PARTS

C 12RSH

ITEM NO.	CODE NO.	DESCRIPTION	NO. USED	REMARKS
*	235	500-474Z	CORD	1 (CORD ARMOR D10.1) FOR TPE
*	235	500-423Z	CORD	1 (CORD ARMOR D10.1) FOR SIN, UAE, MAL
*	235	500-468Z	CORD	1 (CORD ARMOR D10.1) FOR THA, PHI
	237	319-349	CORD BUSH	1
	238	324-461	HANDLE (R)	1
	239	938-051	CORD ARMOR D10.1	1
	240	937-631	CORD CLIP	1
	241	301-653	TAPPING SCREW (W/FLANGE) D4X20 (BLACK)	6
	242	880-734	MACHINE SCREW (W/WASHERS) M5X25 (BLACK)	5
	243	945-161	BRUSH CAP	2
*	244	999-038	CARBON BRUSH (1 PAIR)	2 FOR 110V-120V
*	244	999-065	CARBON BRUSH (1 PAIR)	2 FOR 220V-240V
	245	938-241	BRUSH HOLDER	2
*	246		CAUTION LABEL (A)	1 FOR USA, CAN
	247		NAME PLATE	1
	248	990-541	MACHINE SCREW (W/WASHERS) M5X16	2
	249	324-445	TAIL COVER	1
	250	938-477	HEX. SOCKET SET SCREW M5X8	2
	251	324-459	HOUSING ASS'Y	1 INCLUD. 245, 248-250
	252	937-623	BRUSH TERMINAL	2
*	253	340-626D	STATOR ASS'Y 110V	1 INCLUD. 252
*	253	340-626C	STATOR ASS'Y 120V	1 INCLUD. 252
*	253	340-703E	STATOR (B) ASS'Y 220V-230V	1 INCLUD. 252
*	253	340-693E	STATOR ASS'Y (C) 230V	1 INCLUD. 252 FOR NZL
*	253	340-703F	STATOR (B) ASS'Y 240V	1 INCLUD. 252
	254	324-397	END PLATE	1
	255	953-121	HEX. HD. TAPPING SCREW D5X50	2
*	256	360-790B	ARMATURE ASS'Y 220V-230V	1 INCLUD. 257, 259, 307-309
*	256	360-790C	ARMATURE ASS'Y 240V	1 INCLUD. 257, 259, 307-309
*	256A	360-711U	ARMATURE ASS'Y 110V-120V	1 INCLUD. 257, 259, 307-310
	257	600-0VV	BALL BEARING 6000VVCMP2L	1
	258	324-442	FAN GUIDE	1
	259	620-1VV	BALL BEARING 6201VVCMP2L	1
	262	976-706	MACHINE SCREW (W/WASHERS) M5X10	1
	263	324-448	SWITCH HANDLE (L)	1
	264	996-247	MACHINE SCREW (W/WASHERS) M5X12 (BLACK)	2
	265	324-462	SPINDLE COVER	1
*	266	324-425	INTERNAL WIRE (A)	1
*	266	326-827	INTERNAL WIRE (A)	1 FOR NZL
*	267	959-141	CONNECTOR 50092 (10 PCS.)	2
*	267	959-141	CONNECTOR 50092 (10 PCS.)	1 FOR NZL
*	267	959-141	CONNECTOR 50092 (10 PCS.)	4 FOR USA, CAN
	268	324-424	SWITCH (3P FASTON TYPE) W/O LOCK	1
	269	324-449	SWITCH HANDLE (R)	1
	270	961-468	KNOB BOLT M6X37	1
	271	988-821	LOCK SPRING	2
	272	322-314	STOPPER HOLDER	1
	273	322-313	SPRING PLATE	1
	274	303-410	NYLOCK BOLT M8X40	1
	275	324-437	GEAR CASE	1
	276	949-217	MACHINE SCREW M4X12 (10 PCS.)	1

PARTS

C 12RSH

ITEM NO.	CODE NO.	DESCRIPTION	NO. USED	REMARKS
277	949-429	BOLT WASHER M4 (10 PCS.)	1	
278	973-313	NYLON CLIP	1	
279	949-260	MACHINE SCREW M6X25 (10 PCS.)	1	
280	606-ZZM	BALL BEARING 606ZZC2PS2L	2	
281	949-455	SPRING WASHER M6 (10 PCS.)	1	
282	949-425	WASHER M6 (10 PCS.)	1	
283	935-196	MACHINE SCREW (W/WASHERS) M4X12 (BLACK)	1	
284	988-101	BOLT (A) M10	1	
* 285B	323-652	WASHER (B)	1	EXCEPT FOR EUROPE
* 286	328-213	TCT SAW BLADE 305MM-D30 HOLE-NT60	1	
* 286	328-326	TCT SAW BLADE 305MM-D25.4 HOLE-NT60	1	
* 286	324-269	TCT SAW BLADE 305MM-D25.4 HOLE-NT120	1	
* 287	324-452	WASHER (A)	1	EXCEPT FOR EUROPE
288	949-322	FLAT HD. SCREW M4X10 (10 PCS.)	2	
289	307-731	COVER	1	
* 290	324-375	PROTECTIVE COVER	1	
* 290	328-523	PROTECTIVE COVER	1	FOR EUROPE
291A	328-188	RETURN SPRING (B)	1	
292	324-438	SPINDLE ASS'Y	1	INCLUD. 293-295
293	600-3DD	BALL BEARING 6003DDCMPS2S	1	
294	324-439	BEARING HOLDER	1	
295	608-VVM	BALL BEARING 608VVC2PS2L	1	
296	949-241	MACHINE SCREW M5X20 (10 PCS.)	2	
297	949-454	SPRING WASHER M5 (10 PCS.)	2	
298	321-364	DUST GUIDE	1	
299	312-492	GUIDE HOLDER	1	
300	324-440	PINION ASS'Y	1	INCLUD. 301-303, 305, 306
301	948-919	FEATHER KEY 4X4X15	1	
302	620-1VV	BALL BEARING 6201VVCMP2L	1	
303	322-301	COVER (C)	1	
304	949-322	FLAT HD. SCREW M4X10 (10 PCS.)	2	
305	324-441	PULLEY (B)	1	
306	321-399	BALL BEARING 608VVC2NS7L	1	
307	324-443	PULLEY (A)	1	
308	961-157	SUPER LOCK WASHER	1	
309	949-560	NUT M10 (10 PCS.)	1	
310	324-427	BELT (200H10) 16X508	1	
311	983-545	NEEDLE ROLLER	2	
312A	325-259	BEARING HOLDER (B)	1	
313	995-096	MACHINE SCREW (W/WASHERS) M5X20 (BLACK)	2	
314	307-732	STOPPER PIN	1	
315	949-429	BOLT WASHER M4 (10 PCS.)	1	
316	949-215	MACHINE SCREW M4X8 (10 PCS.)	1	
317	324-450	PULLEY COVER	1	
318	324-458	INTERNAL WIRE (C)	1	
319	319-503	SWITCH (W/COVER)	1	
320	324-821	GEAR COVER (B)	1	
321	324-822	GEAR COVER (C)	1	
* 333	930-039	NOISE SUPPRESSOR	1	EXCEPT FOR USA, CAN
* 334	958-308Z	PILLAR TERMINAL (A)	1	EXCEPT FOR USA, CAN
* 335	998-879	KNOB BOLT	1	EXCEPT FOR USA, CAN

