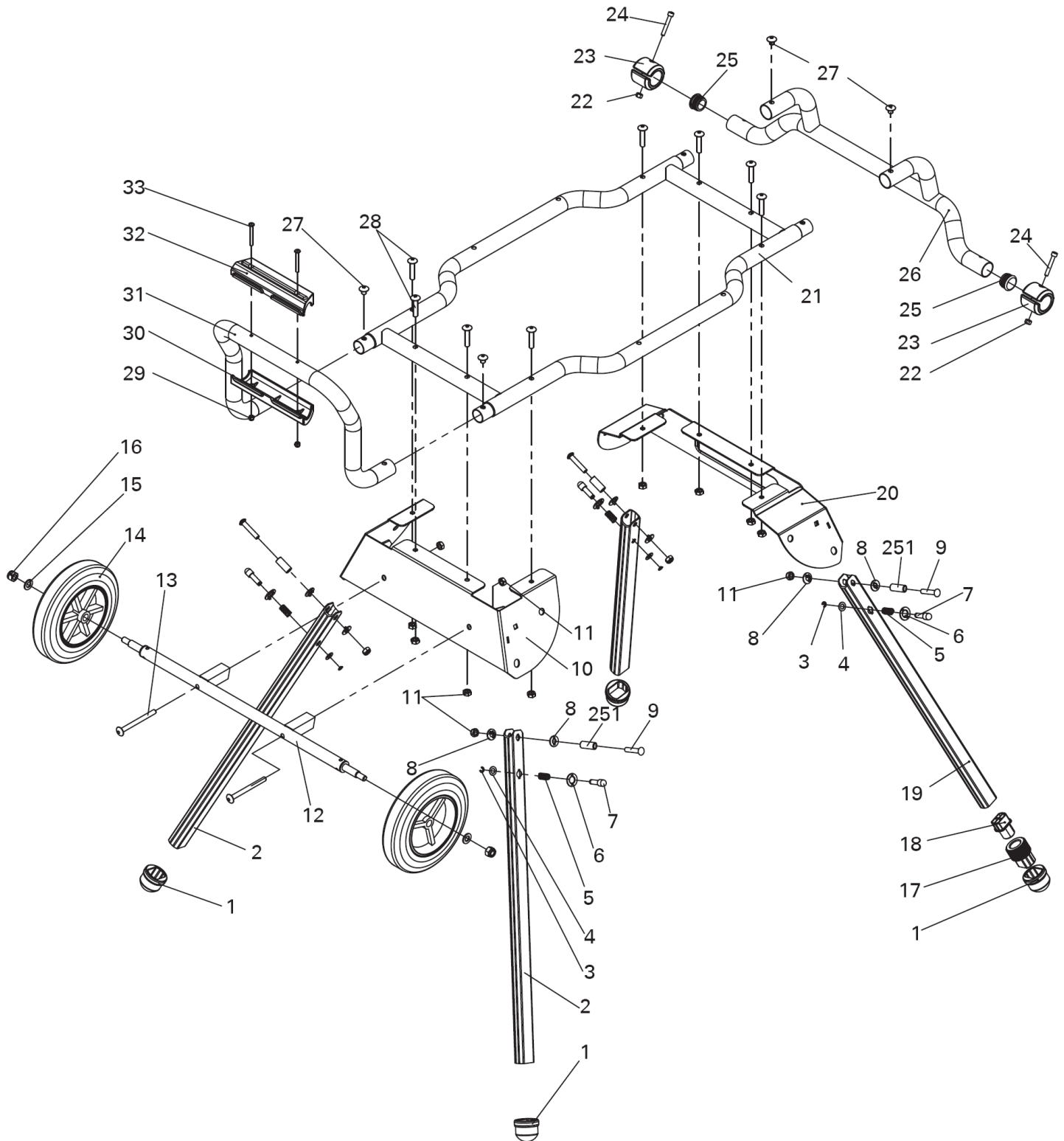
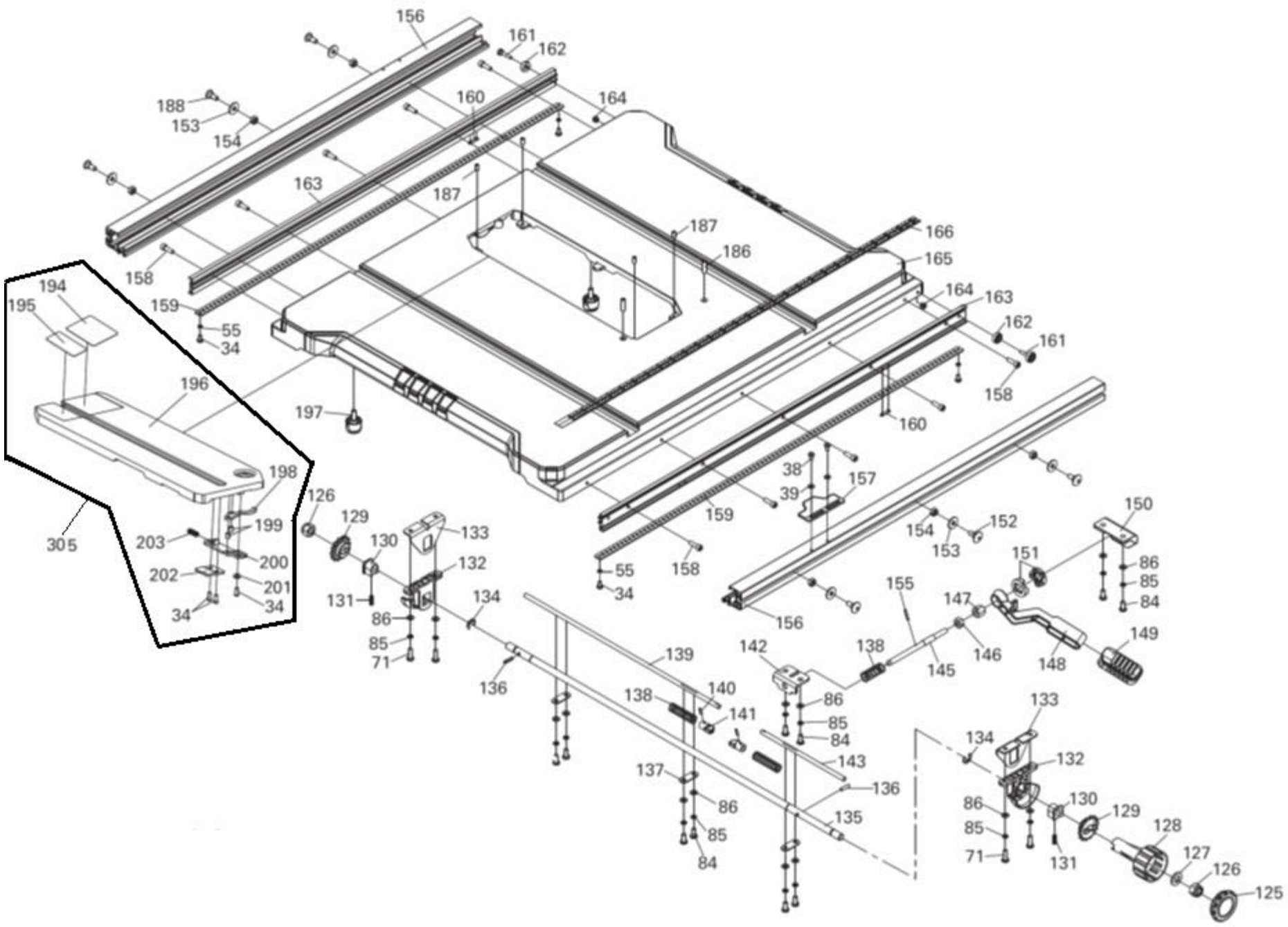


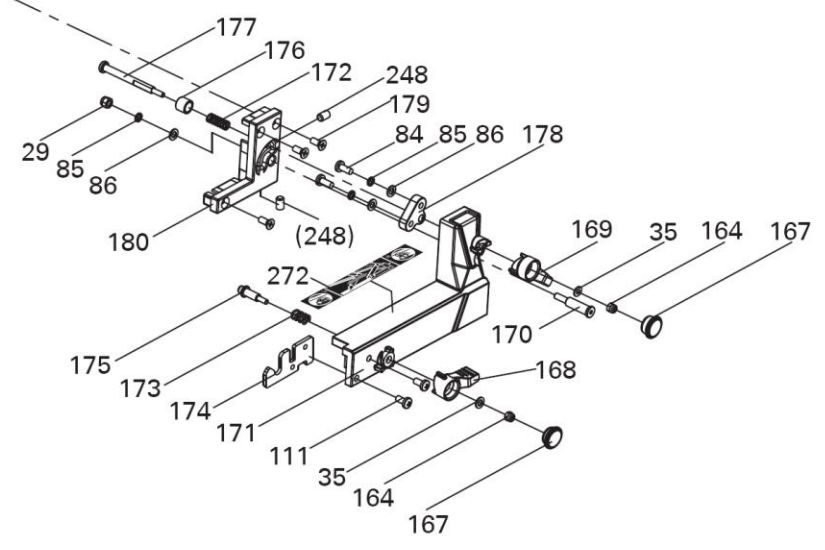
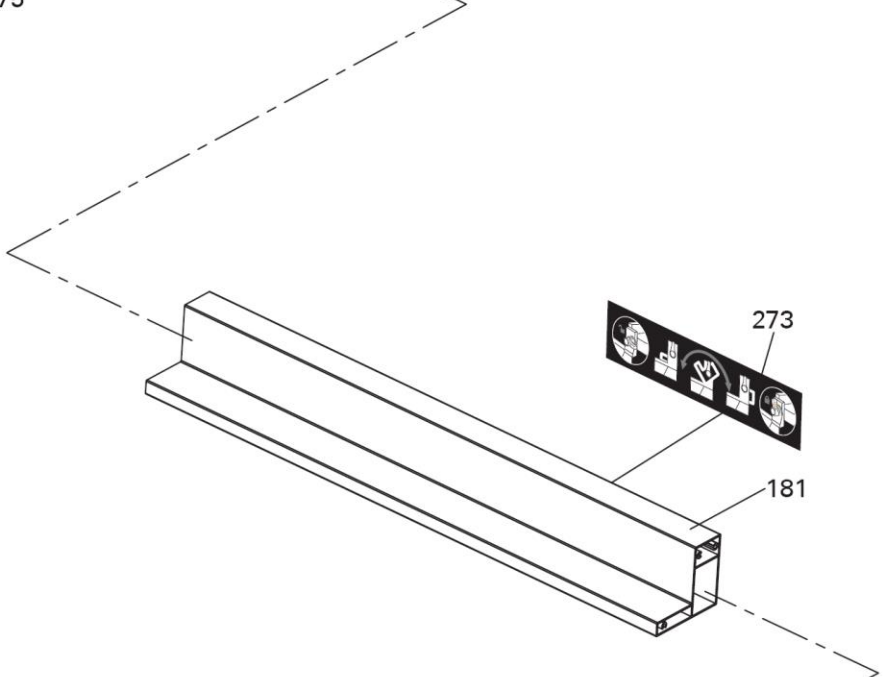
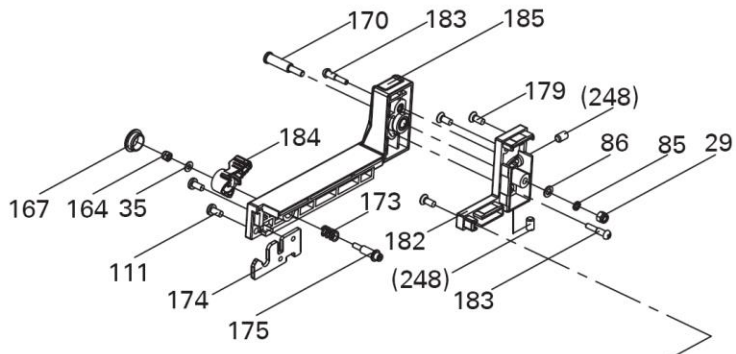
ELECTRIC TOOL PARTS LIST

■ 10" JOBSITE TABLE SAW
Model C 10RJ

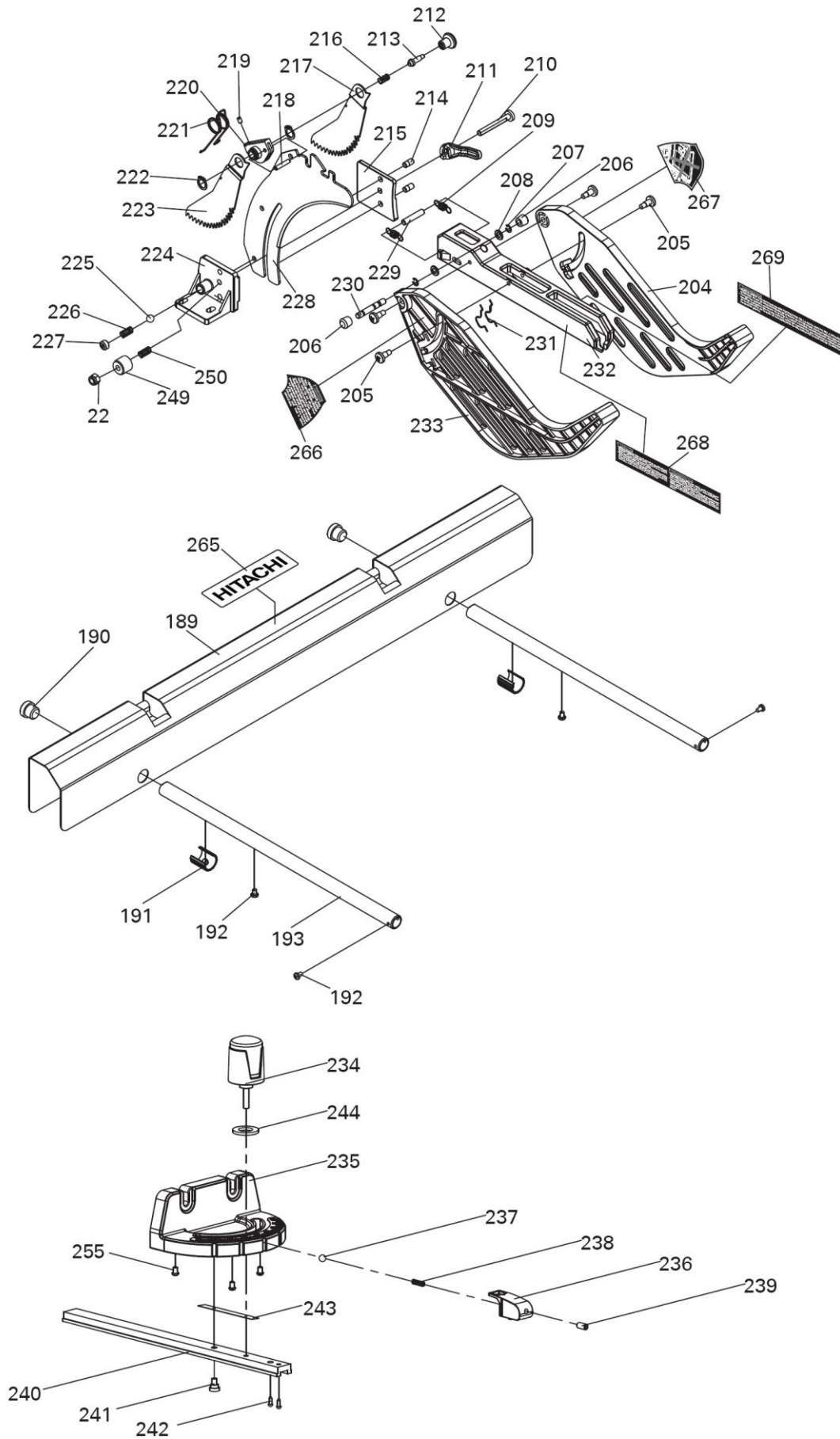
2019 • 01 • 28
(E3)



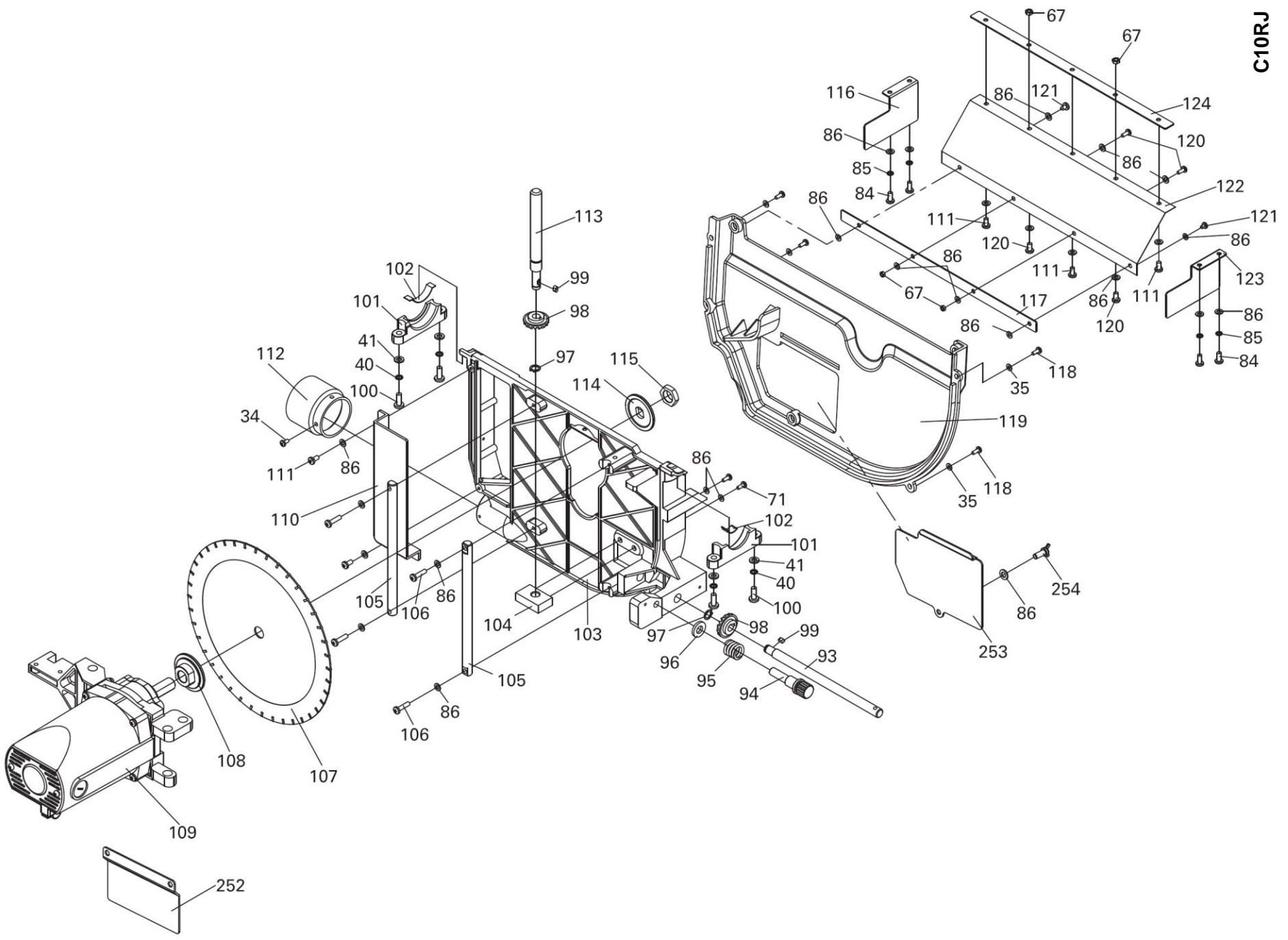




C10RJ

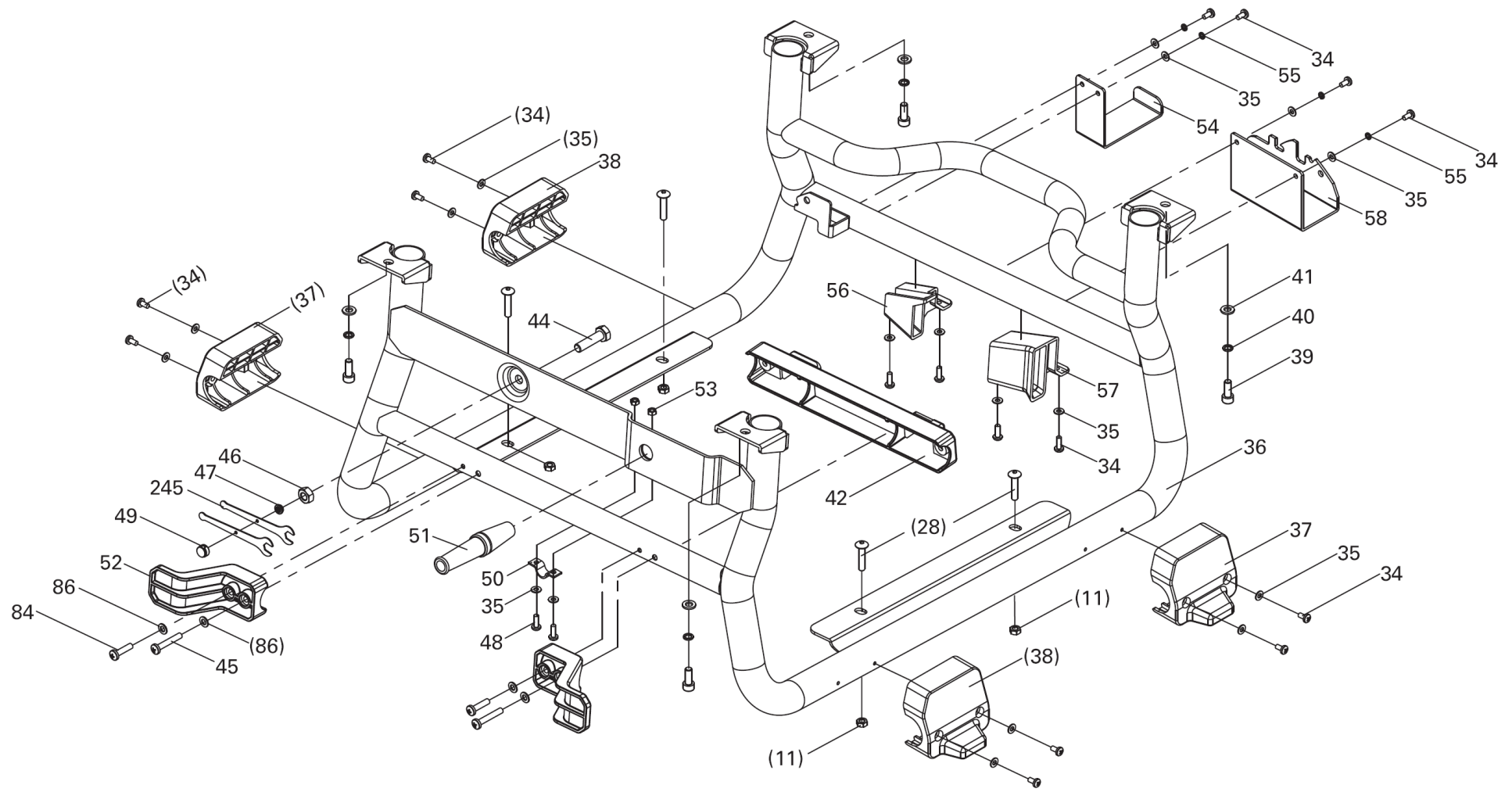


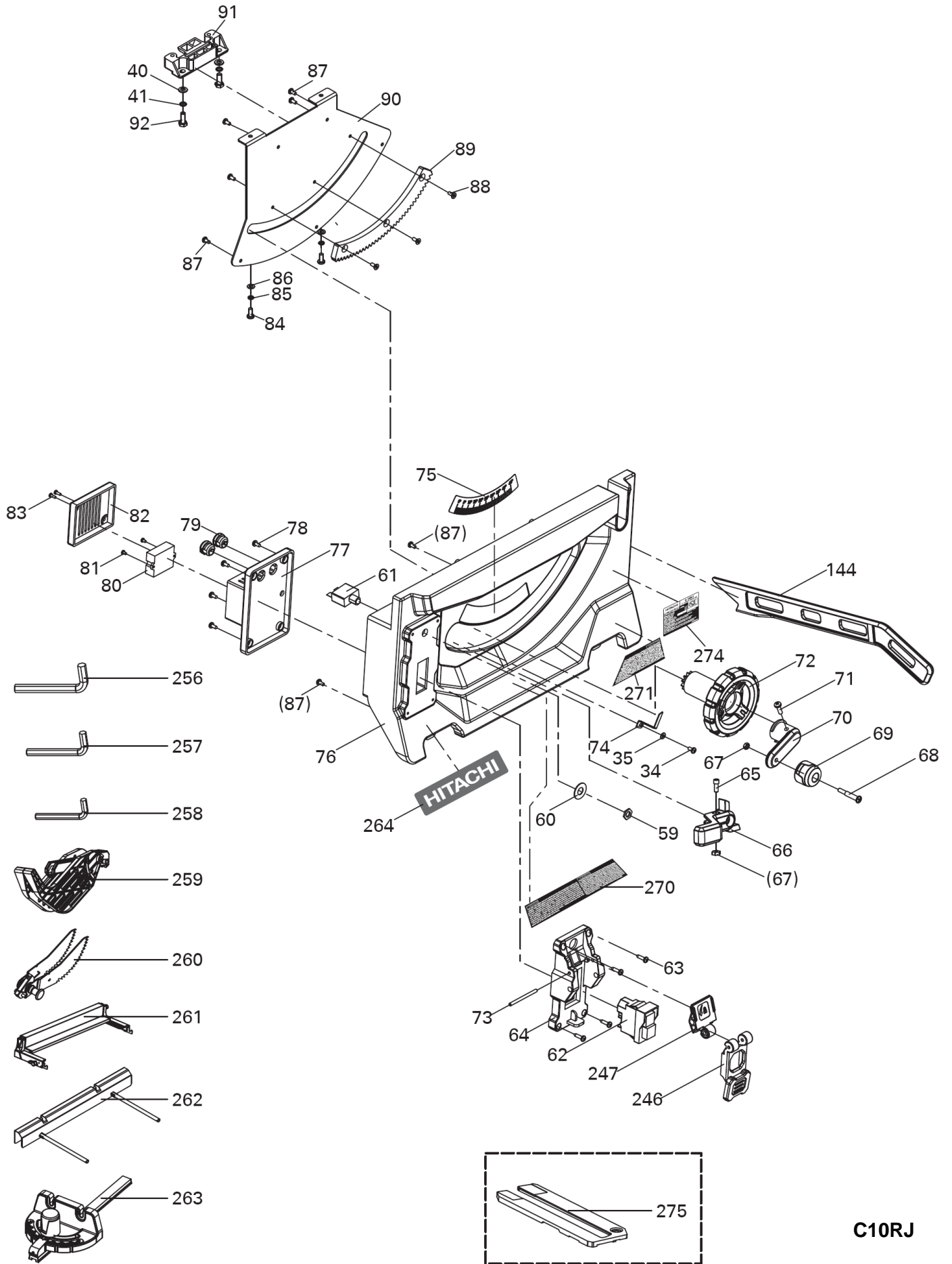
C10RJ



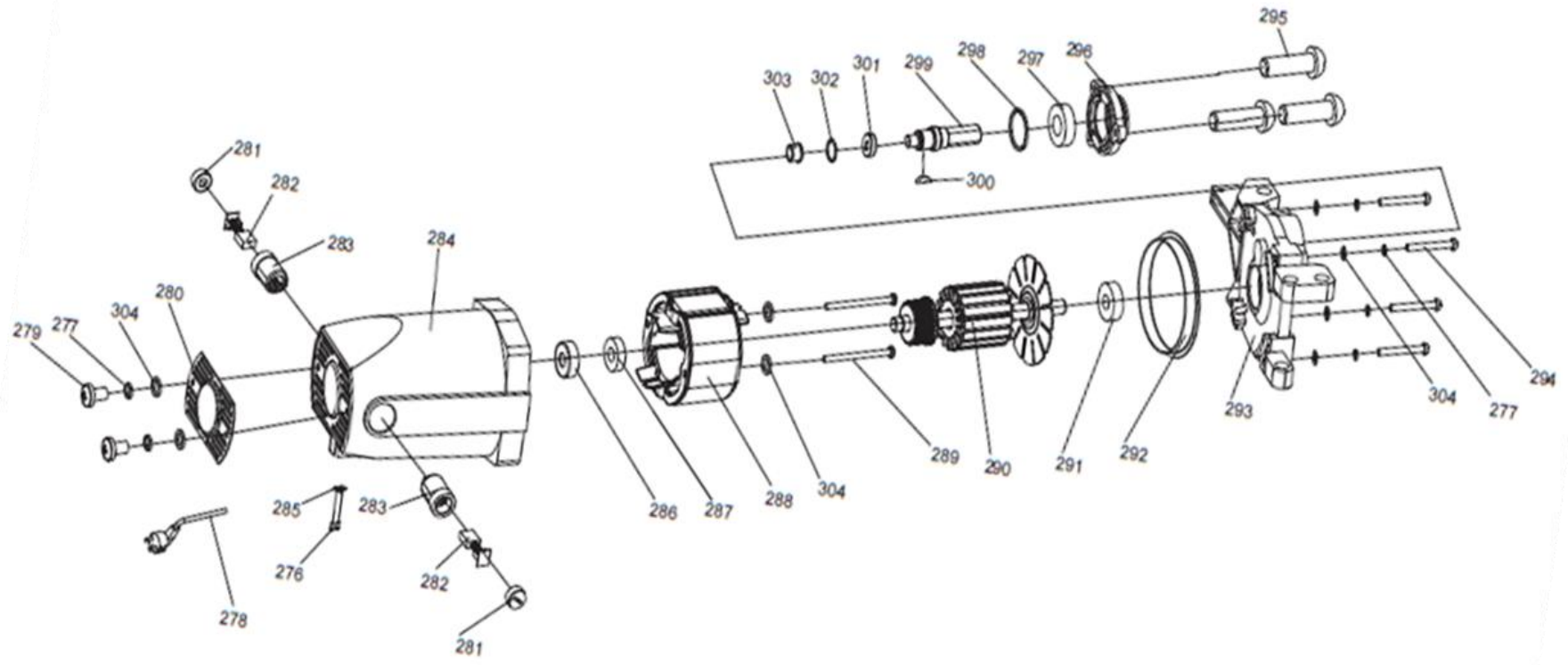
C10RJ

C10RJ





C10RJ



PARTS

C10RJ

| ITEM NO. | CODE NO. | DESCRIPTION | NO. USED | REMARKS |
|----------|----------|--|----------|---------|
| 1 | 371390 | Stand foot | 4 | |
| 2 | 371391 | Stand leg (A) | 3 | |
| 3 | 371392 | Split washer | 4 | |
| 4 | 371393 | Flat Washer 8 | 4 | |
| 5 | 371394 | Spring | 4 | |
| 6 | 371395 | Friction pad 13 | 4 | |
| 7 | 371396 | Stop pin | 4 | |
| 8 | 371397 | Friction pad 8 | 8 | |
| 9 | 371398 | Bolt | 4 | |
| 10 | 371399 | Support plate assembly (A) | 1 | |
| 11 | 371400 | Lock nut M8 | 18 | |
| 12 | 371401 | Wheel shaft assembly | 1 | |
| 13 | 371402 | Hexagon lobular socket pan head screw M8 x 90 | 2 | |
| 14 | 371403 | Wheel | 2 | |
| 15 | 371404 | Flat Washer 10 | 2 | |
| 16 | 371405 | Lock nut M10 | 2 | |
| 17 | 371406 | Adjustable foot (B) | 1 | |
| 18 | 371407 | Adjustable foot (A) | 1 | |
| 19 | 371408 | Adjustable leg | 1 | |
| 20 | 371409 | Support plate assembly (B) | 1 | |
| 21 | 371410 | Horizontal support tube assembly M6 x 40 | 1 | |
| 22 | 371411 | Lock nut M6 | 3 | |
| 23 | 371412 | Footing | 2 | |
| 24 | 371413 | Hexagon socket cap screws M6 x 40 | 2 | |
| 25 | 371414 | End cap | 2 | |
| 26 | 371415 | Handle assembly | 1 | |
| 27 | 371416 | Hexagon lobular socket pan head screw M8 x 12 | 4 | |
| 28 | 371417 | Hexagon lobular socket pan head screw M8 x 45 | 8 | |
| 29 | 371418 | Lock nut M5 | 4 | |
| 30 | 371419 | Support pad (B) | 1 | |
| 31 | 371420 | Support tube assembly | 1 | |
| 32 | 371421 | Support pad (A) | 1 | |
| 33 | 371422 | Cross pan head screw M5 x 45 | 2 | |
| 34 | 371423 | Cross pan head screw M4 x 8 | 25 | |
| 35 | 371424 | Flat Washer 4 | 26 | |
| 36 | 371425 | Frame assembly | 1 | |
| 37 | 371426 | Footing (A) | 2 | |
| 38 | 371427 | Footing (B) | 2 | |
| 39 | 371428 | Hexagon socket cap screws M6 x 16 | 4 | |
| 40 | 371429 | Spring washer 6 | 10 | |
| 41 | 371430 | Flat Washer 6 | 10 | |
| 42 | 371431 | Miter gauge storage | 1 | |
| 44 | 371432 | Hexagon bolt M8 x 30 | 2 | |
| 45 | 371433 | Cross pan head screw M5 x 40 | 1 | |
| 46 | 371434 | Hex nut M8 | 1 | |
| 47 | 371435 | Holder for blade | 2 | |
| 48 | 371436 | Cross pan head screw M4 X 12 | 1 | |
| 49 | 371437 | Locking knob | 1 | |
| 50 | 371438 | Wire clip | 1 | |
| 51 | 371439 | Anti-flex bushing | 1 | |
| 52 | 371440 | Cord wrap | 2 | |
| 53 | 371441 | Hex nut M4 | 2 | |
| 54 | 371442 | Blade guard storage (B) | 1 | |
| 55 | 371443 | Spring washer 4 | 8 | |
| 56 | 371444 | Push stick storage (A) | 1 | |
| 57 | 371445 | Push stick storage (B) | 1 | |
| 58 | 371446 | Blade guard storage (A) | 1 | |
| 59 | 371447 | Nut for overload protection | 1 | |
| 60 | 371448 | Label for overload protection | 1 | |
| 61 | 371449 | Overload protection | 1 | |
| 62 | 371450 | Switch | 1 | |
| 63 | 371451 | Cross recessed pan head tapping screw ST4.2 x 16 | 4 | |
| 64 | 371452 | Switch panel | 1 | |

Parts

C10RJ

| ITEM NO. | CODE NO. | DESCRIPTION | NO. USED | REMARKS |
|----------|----------|---|----------|---------|
| 65 | 371453 | Hexagon socket head cap screws M5 x 12 | 1 | |
| 66 | 371454 | Locking handle | 1 | |
| 67 | 371455 | Hex nut M5 | 4 | |
| 68 | 371456 | Bolt | 1 | |
| 69 | 371457 | Knob | 1 | |
| 70 | 371458 | Rotation lever | 1 | |
| 71 | 371459 | Cross pan head screw M5 x 16 | 7 | |
| 72 | 371460 | Rotation wheel | 1 | |
| 73 | 371461 | Rotation pin | 1 | |
| 74 | 371462 | 45° Pointer | 1 | |
| 75 | 371463 | Bevel label | 1 | |
| 76 | 371464 | Front panel | 1 | |
| 77 | 371465 | Switch cover | 1 | |
| 78 | 371466 | Cross recessed pan head tapping screw ST3.9 x 9.5 | 4 | |
| 79 | 371467 | Strain relief bushing | 2 | |
| 80 | 371468 | Soft start | 1 | |
| 81 | 371469 | Cross recessed pan head tapping screw ST2.9 x 6.5 | 2 | |
| 82 | 371470 | Cover for soft start | 1 | |
| 83 | 371471 | Cross recessed pan head tapping screw ST2.9 x 9.5 | 2 | |
| 84 | 371472 | Cross pan head screw M5 x 12 | 20 | |
| 85 | 371473 | Spring washer 5 | 24 | |
| 86 | 371474 | Flat Washer 5 | 50 | |
| 87 | 371475 | Cross recessed pan head tapping screw ST4.2 x 9.5 | 7 | |
| 88 | 371476 | Cross pan head screw M4 x 10 | 3 | |
| 89 | 371477 | Angle adjusting base | 1 | |
| 90 | 371478 | Back plate | 1 | |
| 91 | 371479 | Holder (B) | 2 | |
| 92 | 371480 | Hexagon bolt M6 x 16 | 2 | |
| 93 | 371481 | Up and down adjusting rod (A) | 1 | |
| 94 | 371482 | Compression screw rod | 1 | |
| 95 | 371483 | Compression spring | 1 | |
| 96 | 371484 | Washer | 1 | |
| 97 | 371485 | Washer on shaft | 2 | |
| 98 | 371486 | Bevel gear | 2 | |
| 99 | 371487 | A type Key | 2 | |
| 100 | 371488 | Cross pan head screw M6 x16 | 4 | |
| 101 | 371489 | Holder (A) | 2 | |
| 102 | 371490 | Spacer shim | 2 | |
| 103 | 371491 | Trunnion | 1 | |
| 104 | 371492 | Adjusting seat | 1 | |
| 105 | 371493 | Guide pillar | 2 | |
| 106 | 371494 | Cross pan head screw M5 x 20 | 4 | |
| 107 | 371495 | Blade | 1 | |
| 108 | 371496 | Blade inner flange | 1 | |
| 109 | 371497 | Motor | 1 | |
| 110 | 371498 | Cover plate | 1 | |
| 111 | 371499 | Cross pan head screw M5 x 10 | 9 | |
| 112 | 371500 | Dust port | 1 | |
| 113 | 371501 | Up and down adjusting rod (B) | 1 | |
| 114 | 371502 | Blade outer flange | 1 | |
| 115 | 371503 | Arbor nut | 1 | |
| 116 | 371504 | Lower protection guard (A) | 1 | |
| 117 | 371505 | Lower protection dead plate (A) | 1 | |
| 118 | 371506 | Cross pan head screw M4 x 10 | 4 | |
| 119 | 371507 | Trunnion protection guard | 1 | |
| 120 | 371508 | Cross pan head screw M5 x 8 | 4 | |
| 121 | 371509 | Cross recessed pan head tapping screw ST4.8 x 9.5 | 2 | |
| 122 | 371510 | Lower protection | 1 | |
| 123 | 371511 | Lower protection guard (B) | 1 | |
| 124 | 371512 | Lower protection dead plate (B) | 1 | |
| 125 | 371513 | Knob cover | 1 | |
| 126 | 371514 | Hex nut M10 | 2 | |
| 127 | 371515 | Flat Washer 10 | 1 | |
| 128 | 371516 | Rotation knob | 1 | |
| 129 | 371517 | Adjusting gear | 2 | |

Parts

C10RJ

| ITEM NO. | CODE NO. | DESCRIPTION | NO. USED | REMARKS |
|----------|----------|---|----------|---------|
| 130 | 371518 | Adjusting support seat (C) | 2 | |
| 131 | 371519 | Adjusting spring | 2 | |
| 132 | 371520 | Adjusting support seat (B) | 2 | |
| 133 | 371521 | Adjusting support seat (A) | 2 | |
| 134 | 371522 | Split washer | 2 | |
| 135 | 371523 | Adjusting rod | 1 | |
| 136 | 371524 | Spring pin | 2 | |
| 137 | 371525 | Clamp | 2 | |
| 138 | 371526 | Compression spring | 3 | |
| 139 | 371527 | Rear locking rod (B) | 1 | |
| 140 | 371528 | Spring pin | 2 | |
| 141 | 371529 | Slider (A) | 2 | |
| 142 | 371530 | Location-limited plate (B) | 1 | |
| 143 | 371531 | Rear locking rod (A) | 1 | |
| 144 | 371532 | Push stick | 1 | |
| 145 | 371533 | Front locking rod | 1 | |
| 146 | 371534 | Hex nut M8 | 1 | |
| 147 | 371535 | Longer nut M8 (B) | 1 | |
| 148 | 371536 | Locking lever | 1 | |
| 149 | 371537 | Sheath for locking lever | 1 | |
| 150 | 371538 | Location-limited plate (A) | 1 | |
| 151 | 371539 | Locking block | 2 | |
| 152 | 371540 | Positioning screw (B) | 3 | |
| 153 | 371541 | Big flat washer 6 | 6 | |
| 154 | 371542 | Hex nut M6 | 6 | |
| 155 | 371543 | Spring pin | 1 | |
| 156 | 371544 | Sliding rail | 2 | |
| 157 | 371545 | Pointer | 1 | |
| 158 | 371546 | Hexagon socket head cap screws M5 x 16 | 10 | |
| 159 | 371547 | Rack | 2 | |
| 160 | 371548 | Friction pad | 2 | |
| 161 | 371549 | Adjusting bolt | 2 | |
| 162 | 371550 | Adjusting wheel | 2 | |
| 163 | 371551 | Rail | 2 | |
| 164 | 371552 | Lock nut M4 | 4 | |
| 165 | 371553 | Worktable | 1 | |
| 166 | 371554 | Scale label | 1 | |
| 167 | 371555 | Cover | 2 | |
| 168 | 371556 | Lever (left) | 1 | |
| 169 | 371557 | Locking piece | 1 | |
| 170 | 371558 | Rotation bolt | 2 | |
| 171 | 371559 | Rip fence holder base (left) | 1 | |
| 172 | 371560 | Spring | 1 | |
| 173 | 371561 | Locking spring | 2 | |
| 174 | 371562 | Fixing plate | 2 | |
| 175 | 371563 | Locating pin | 2 | |
| 176 | 371564 | Pin shaft | 1 | |
| 177 | 371565 | clamping bush | 1 | |
| 178 | 371566 | Fixing plate | 1 | |
| 179 | 371567 | Cross recessed countersunk head screw M5 x 12 | 6 | |
| 180 | 371568 | End cap (left) | 1 | |
| 181 | 371569 | Rip fence | 1 | |
| 182 | 371570 | End cap (right) | 1 | |
| 183 | 371571 | Cross recess head screw M5 x 20 | 2 | |
| 184 | 371572 | Lever (right) | 1 | |
| 185 | 371573 | Rip fence holder base (right) | 1 | |
| 186 | 371574 | Hexagon socket bolt M6 x 20 | 2 | |
| 187 | 371575 | Hexagon socket bolt M5 x 10 | 4 | |
| 188 | 371576 | Position screw (A) | 3 | |
| 189 | 371577 | Extension table | 1 | |
| 190 | 371578 | M14 hexagon socket screw | 2 | |
| 191 | 371579 | Stop collar | 2 | |
| 192 | 371580 | Cross pan head screw M4 x 6 | 4 | |

Parts

C10RJ

| ITEM NO. | CODE NO. | DESCRIPTION | NO. USED | REMARKS |
|----------|----------|--|----------|---------|
| 193 | 371581 | Extension rod | 2 | |
| 194 | 371582 | Base plate A | 1 | |
| 195 | 371583 | Base plate B | 1 | |
| 196 | 371584 | Table insert | 1 | |
| 197 | 371585 | Knob | 2 | |
| 198 | 371586 | Latch plate (B) | 1 | |
| 199 | 371587 | Cylindrical pin | 2 | |
| 200 | 371588 | Latch plate (A) | 1 | |
| 201 | 371589 | Big flat washer 4 | 1 | |
| 202 | 371590 | Rear pressing plate | 1 | |
| 203 | 371591 | Spring | 1 | |
| 204 | 371592 | Right blade guard | 1 | |
| 205 | 371593 | Bolt | 4 | |
| 206 | 371594 | Latch cap | 2 | |
| 207 | 371595 | Split washer | 2 | |
| 208 | 371596 | Flat Washer | 2 | |
| 209 | 371597 | Spring | 2 | |
| 210 | 371598 | Special bolt | 1 | |
| 211 | 371599 | Eccentric hand | 1 | |
| 212 | 371600 | Knob | 1 | |
| 213 | 371601 | Latch | 1 | |
| 214 | 371602 | Cylindrical pin | 2 | |
| 215 | 371603 | Cam pressing plate | 1 | |
| 216 | 371604 | Compressing spring (A) | 1 | |
| 217 | 371605 | Anti-kick back pawl(A) | 1 | |
| 218 | 371606 | Spring pin | 1 | |
| 219 | 371607 | Hexagon socket set screw with flat point M4 x 6 | 1 | |
| 220 | 371608 | Supporting seat | 1 | |
| 221 | 371609 | Anti-kick back pawl spring | 1 | |
| 222 | 371610 | Washer on shaft | 2 | |
| 223 | 371611 | Anti-kick back pawl (A) | 1 | |
| 224 | 371612 | Fixing holder | 1 | |
| 225 | 371613 | Steel ball | 1 | |
| 226 | 371614 | Spring | 1 | |
| 227 | 371615 | Hexagon socket set screw with flat point | 1 | |
| 228 | 371616 | Riving knife | 1 | |
| 229 | 371617 | Stop pin | 1 | |
| 230 | 371618 | Sliding detent | 1 | |
| 231 | 371619 | Snap spring | 2 | |
| 232 | 371620 | Blade guard supporting seat | 1 | |
| 233 | 371621 | Left blade guard | 1 | |
| 234 | 371622 | Handle for miter gauge | 1 | |
| 235 | 371623 | Miter gauge | 1 | |
| 236 | 371624 | Pointer | 1 | |
| 237 | 371625 | Steel ball | 1 | |
| 238 | 371626 | Pointer spring | 1 | |
| 239 | 371627 | Hexagon socket set screw with flat point M6 x 12 | 1 | |
| 240 | 371628 | Bar for miter gauge | 1 | |
| 241 | 371629 | Bolt (A) | 1 | |
| 242 | 371630 | Cross recessed pan head tapping screw | 2 | |
| 243 | 371631 | Adjusting shim | 1 | |
| 244 | 371632 | Big flat washer | 1 | |
| 245 | 371633 | Blade wrench | 2 | |
| 246 | 371634 | Switch flap | 1 | |
| 247 | 371635 | Switch lock | 1 | |
| 248 | 371636 | Hexagon socket set screw with flat point M5 x 8 | 4 | |
| 249 | 371637 | Clamping bush | 1 | |
| 250 | 371638 | Spring | 1 | |
| 251 | 371639 | Leg stop collar | 4 | |
| 252 | 371640 | Blade protection plate | 1 | |
| 253 | 371641 | Small baffle | 1 | |
| 254 | 371642 | Thumbscrew M5 x 12 | 1 | |
| 255 | 371643 | Friction pad | 3 | |

