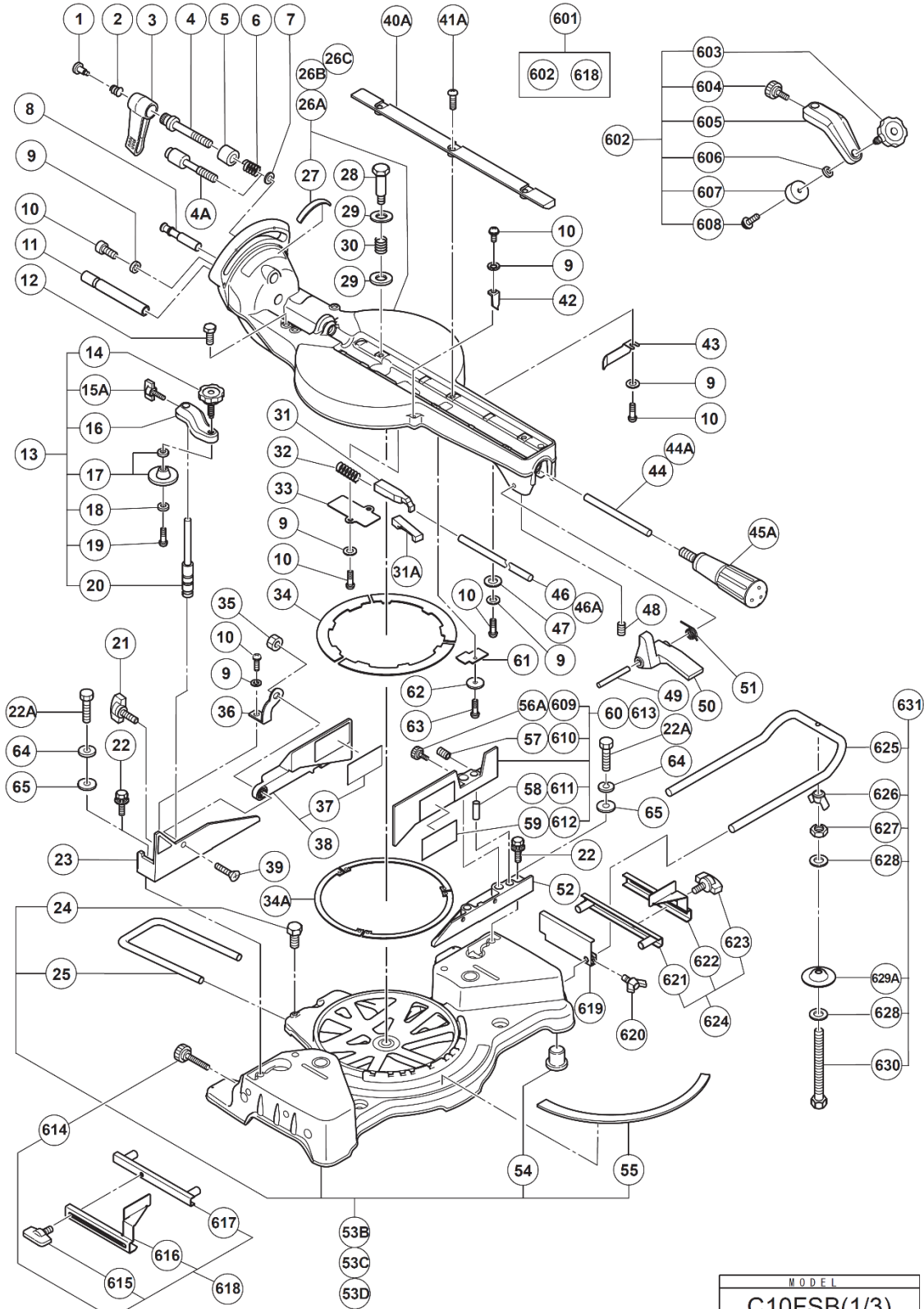
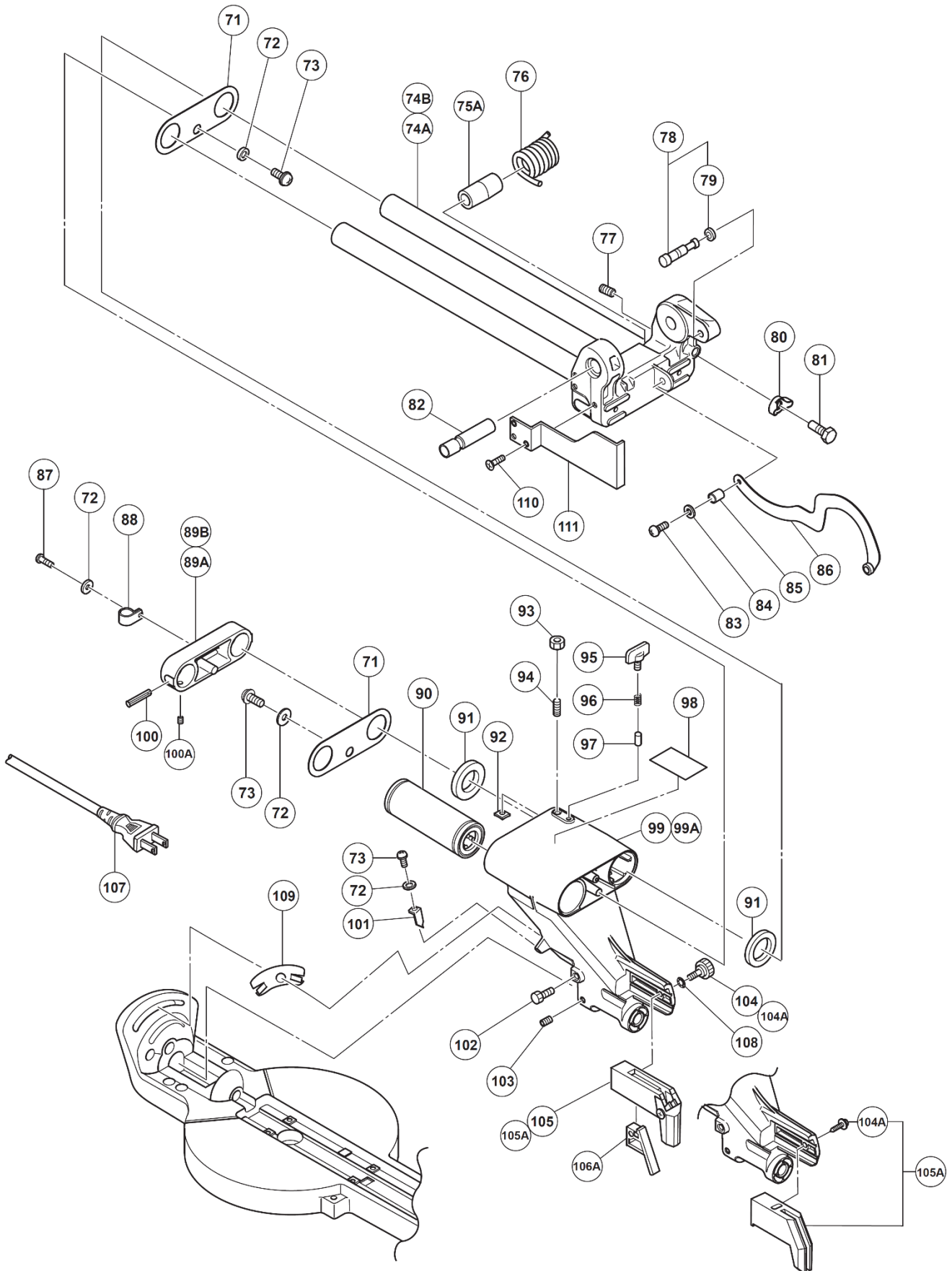


ELECTRIC TOOL PARTS LIST

■ SLIDE DUAL COMPOUND MITER SAW
Model C 10FSB / S

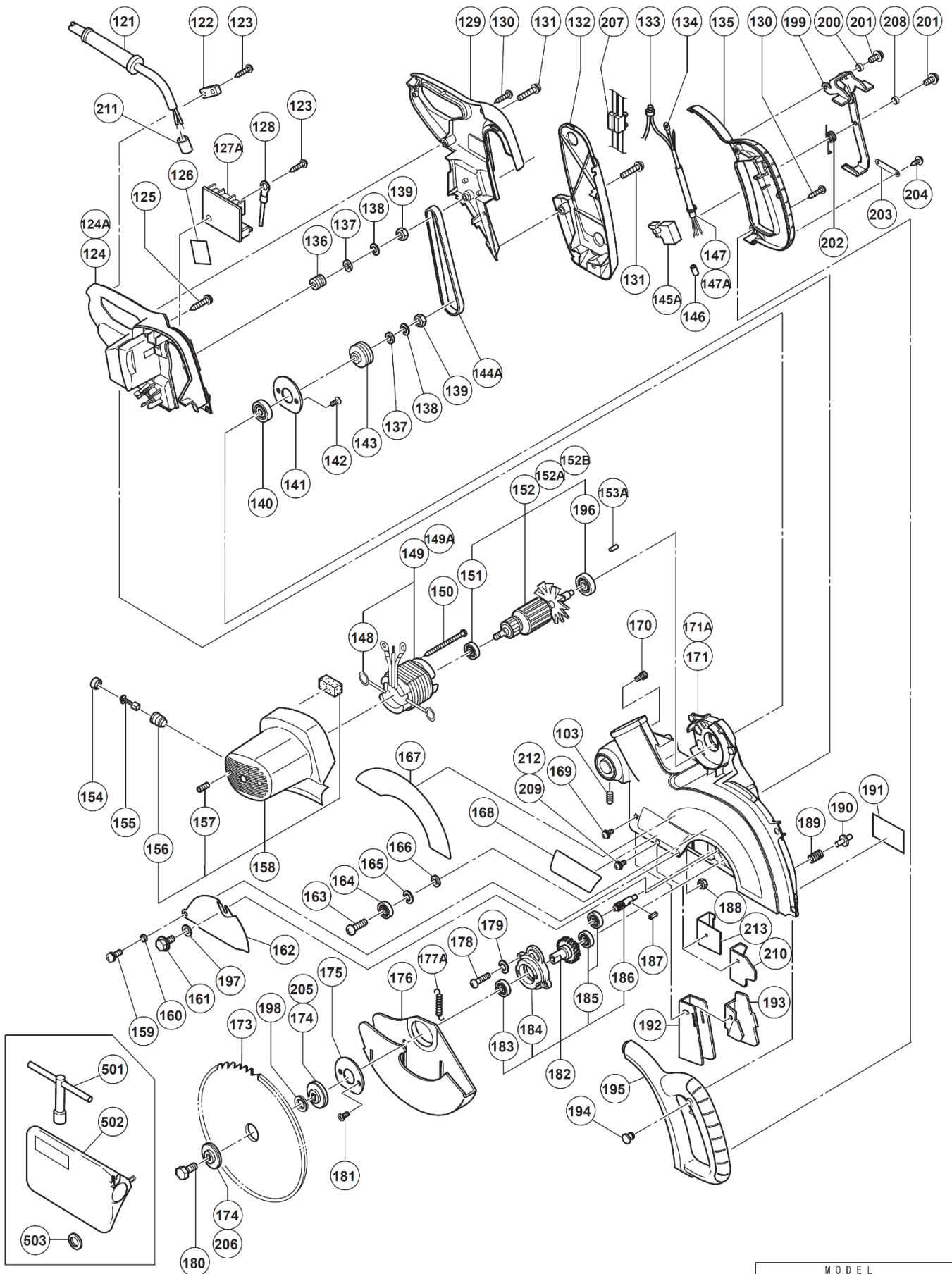
2019 • 06 • 20
(E3b)





Rev.7

MODEL
C10FSB(2/3)



Rev.13

MODEL
C10FSB(3/3)

PARTS

C10FSB / S

ITEM NO.	CODE NO.	DESCRIPTION	NO. USED	REMARKS
1	305180	CLUTCH SCREW	1	
2	305179	CLUTCH SPRING	1	
3	312488	CLAMP LEVER	1	
4	307725	BOLT (LEFT HAND) M10	1	(TILL 08.2010)
4A	329409	BOLT (LEFT HAND) D10	1	(SINCE 09.2010)
5	315195	SLEEVE	1	
7	965077	SPECIAL WASHER	1	
8	321330	SET PIN (A)	1	
*9	949429	BOLT WASHER M4 (10 PCS.)	8	
*9	949429	BOLT WASHER M4 (10 PCS.)	10	SINCE 01.2019 FOR USA.CAN.MODEL(S)
*10	949215	MACHINE SCREW M4X8 (10 PCS.)	8	
*10	949215	MACHINE SCREW M4X8 (10 PCS.)	10	SINCE 01.2019 FOR USA.CAN.MODEL(S)
11	320141	HINGE SHAFT (A)	1	
12	303409	NYLOCK BOLT M8X25	2	
13	321370	WISE ASS'Y	1	INCLUD.14-20
14	308396	KNOB BOLT M10	1	
15A	307947	WING BOLT M6X12	1	
16		SCREW HOLDER	1	
17	319974	WISE PLATE SET	1	
18	996722	WASHER	1	
19	996247	MACHINE SCREW (W/WASHERS) M5X12 (BLACK)	1	
20	321371	WISE SHAFT	1	
21	302459	WING BOLT M6X17	1	
22	307221	BOLT (W/WASHERS) M8X35 (BLACK)	4	(TILL 08.2010)
22A	949678	BOLT M8X35 (10 PCS.)	4	(SINCE 09.2010)
23	321346	FENCE (B)	1	
24	949610	BOLT M6X10 (10 PCS.)	1	
25	998844	HOLDER	1	
26A	330768	TABLE ASS'Y	1	INCLUD.9.10.27-34A.40.41A.43.44A.46A-51. 53B.61-63 (TILL 01.2012 FOR USA.CAN.MEX).
*26D	375134	TABLE ASS'Y	1	INCLUD.9.10.24.25.27-30.31A-34A.40A.41A.43.44A.46A-51 .53D-55.61-63.222,SINCE 02.2012 FOR USA.CAN.MODEL(S)
27	321343	SCALE (B)	1	
28	312480	SHAFT (B)	1	
29	949437	BOLT WASHER M12 (10 PCS.)	2	
30	312481	SPRING	1	
31	321335	STOPPER (A)	1	(TILL 08.2008)
31A	322280	STOPPER (A)	1	(SINCE 09.2008)
32	321417	SPRING (E)	1	
33	321336	PIN COVER	1	
34	998811	LINER	3	(TILL 08.2008)
34A	324400	LINER	3	(SINCE 09.2008)
35	311144	NYLON NUT M6	1	
36	321331	PLATE	1	
37	321386	WARNING LABEL (H)	1	
38	321385	SUB FENCE (B) ASS'Y	1	INCLUD.37
39	949342	FLAT HD. SCREW M6X25 (10 PCS.)	1	
*40A	329421	TABLE INSERT	2	SINCE 02.2012 FOR USA.CAN.MEX
*40A	337816	TABLE INSERT	2	(TILL 01.2012 FOR USA.CAN.MEX)
41A	949256	MACHINE SCREW M6X16 (10 PCS.)	6	
42	321329	INDICATOR	1	
43	321342	SPACER (A)	1	
44	321341	SHAFT (A)	1	(TILL 08.2008)
44A	329416	SHAFT (A)	1	(SINCE 09.2008)
45A	322283	SIDE HANDLE	1	
46	321337	SHAFT (C)	1	(TILL 08.2008)
46A	329415	SHAFT (C)	1	(SINCE 09.2008)
47	875249	THRUST WASHER	1	
48	987860	SEAL LOCK HEX. SOCKET SET SCREW M6X6	1	
49	321339	LEVER SHAFT	1	
50	321338	LEVER	1	
51	321340	SPRING (D)	1	
*52	321345	FENCE (A)	1	
*52A	375135	FENCE (A)	1	SINCE 01.2019 FOR USA.CAN.MODEL(S)

PARTS

C10FSB / S

ITEM NO.	CODE NO.	DESCRIPTION	NO. USED	REMARKS
53B	330768	TABLE ASS'Y	1	INCLUD.9-10.26A-34A.40.41A.43.44A.46A-51 .61-63 (TILL 01.2012 FOR USA.CAN.MEX)
*53D	375134	TABLE ASS'Y	1	INCLUD.9.10.24.25.26D-30.31A-34A.40A.41A.43.44A.46A-51 .54.55.61-63.222.SINCE 02.2012 FOR USA.CAN.MODEL(S)
54	312672	BASE RUBBER	4	
55	315210	SCALE (A)	1	
61	324395	COVER (B)	1	(SINCE 09.2008)
62	949429	BOLT WASHER M4 (10 PCS.)	1	(SINCE .09.2008)
63	949215	MACHINE SCREW M4X8 (10 PCS.)	1	(SINCE 09.2008)
64	949457	SPRING WASHER M8 (10 PCS.)	1	
65	949433	BOLT WASHER M8 (10 PCS.)	1	
71	996227	PACKING COVER	2	
72	949429	BOLT WASHER M4 (10 PCS.)	5	
73	949215	MACHINE SCREW M4X8 (10 PCS.)	4	
*74A	332816	HINGE (B) ASS'Y	1	INCLUD.89A.100A TILL 01.2012 FOR USA.CAN
*74B	334460	HINGE (B) ASS'Y	1	INCLUD.89B.100A SINCE 02.2012 FOR USA.CAN.MEX
75A	334337	SLEEVE	1	
76	321332	SPRING	1	
77	961554	HEX. SOCKET SET SCREW M8X10	1	
78	302518	STOPPER PIN ASS'Y	1	INCLUD.79
79	984528	O-RING (P-6)	1	
80	949312	WING NUT M8 (10 PCS.)	1	
81	949633	BOLT M8X50 (10 PCS.)	1	
82	320141	HINGE SHAFT (A)	1	
83	949237	MACHINE SCREW M5X12 (10 PCS.)	1	
84	949454	SPRING WASHER M5 (10 PCS.)	1	
85	998980	SPACER	1	
*86	321368	LINK	1	FOR USA.CAN.MEX
87	949217	MACHINE SCREW M4X12 (10 PCS.)	1	
*88	948193	NYLON CLIP	1	FOR USA.CAN.MEX
*89B	334458	SUPPORT	1	SINCE 02.2012 FOR USA.CAN.MEX
90	321347	BALL BUSHING	1	
91	996226	FELT	2	
92	996223	BUSHING	2	
93	949568	LOCK NUT M8 (10 PCS.)	2	
94	974500	HEX. SOCKET SET SCREW M8X16	2	
95	302459	WING BOLT M6X17	1	
96	947859	LOCK SPRING	1	
97	963174	CLAMP PIECE (B)	1	
98	320206	CAUTION LABEL (A)	1	
*99	321375	HOLDER (A)	1	(TILL 01.2012 FOR USA.CAN.MEX)
*99A	334462	HOLDER (A)	1	SINCE 02.2012 FOR USA.CAN.MEX
100	949686	ROLL PIN D6X40 (10 PCS.)	2	(TILL 08.2010)
100A	961554	HEX. SOCKET SET SCREW M8X10	2	(SINCE 09.2010)
101	321329	INDICATOR	2	
102	303409	NYLOCK BOLT M8X25	1	
103	307956	SEAL LOCK HEX. SOCKET SET SCREW M6X10	2	
*104	302503	KNOB BOLT M6X22	1	EXCEPT FOR MEX (SINCE 01.2019 FOR USA.CAN.MODEL(S))
*104A	305558	TAPPING SCREW (W/FLANGE) D5X25 (BLACK)	1	FOR MEX (TILL 12.2018 FOR USA.CAN)
*105	321333	GUARD (A)	1	SINCE 01.2019 FOR USA.CAN.MODEL(S)
*105A	324372	GUARD ASS'Y	1	INCLUD.104A FOR MEX (TILL 12.2018 FOR USA.CAN)
106A	331845	GUARD HOLDER	1	SINCE 01.2019 FOR USA.CAN.MODEL(S)
*107	500241Z	CORD	1	FOR USA.CAN.MEX
*108	960092	WAVE WASHER	1	FOR USA.CAN.MEX
109	322210	LINER (A)	1	FOR USA.CAN.MEX
121	938051	CORD ARMOR D10.1	1	
122	937631	CORD CLIP	1	
123	984750	TAPPING SCREW (W/FLANGE) D4X16	3	
*124A	333986	HANDLE (L)	1	FOR USA.CAN
125	305558	TAPPING SCREW (W/FLANGE) D5X25 (BLACK)	5	
126	321355	SHEET	1	
*127A	321354	CONTROLLER 100V-120V	1	TILL 12.2018 FOR USA.CAN
*127B	375136	CONTROLLER 120V	1	SINCE 01.2019 FOR USA.CAN.MODEL(S)
128	930804	TERMINAL M4.0 (10 PCS.)	1	
129	321393	HANDLE (R)	1	

PARTS

C10FSB / S

ITEM NO.	CODE NO.	DESCRIPTION	NO. USED	REMARKS
130	301653	TAPPING SCREW (W/FLANGE) D4X20 (BLACK)	6	
131	880734	MACHINE SCREW (W/WASHERS) M5X25 (BLACK)	4	
132	321383	PULLEY COVER	1	
133	959141	CONNECTOR 50092 (10 PCS.)	2	FOR USA.CAN.MEX.AUS.NZL
*134	980063	TERMINAL	2	
*135	321381	SWITCH HANDLE (R)	1	FOR USA.CAN.MEX(TILL03.2007 FOR AUS.NZL)
136	321356	PULLEY (A)	1	
137	949426	WASHER M8 (10 PCS.)	2	
138	978559	SUPER LOCK WASHER	2	
139	949558	NUT M8 (10 PCS.)	2	
140	6201VV	BALL BEARING 6201VV	1	
141	307731	COVER	1	
142	949322	FLAT HD. SCREW M4X10 (10 PCS.)	2	
143	321357	PULLEY (B)	1	
144A	332810	BELT (10PH432)	1	
*145	998839	SWITCH (1P PILLAR TYPE) W/LOCK	1	FOR USA.CAN.MEX
*146	981373	TUBE (D)	3	
*146	981373	TUBE (D)	3	FOR USA.CAN.MEX
*147A	321532	INTERNAL WIRE (B) ASS'Y	1	INCLUD.134.146 FOR USA.CAN.MEX
*148	930703	BRUSH TERMINAL	2	INCLUD.134.146 FOR USA.CAN.MEX
*149	340539D	STATOR ASS'Y 120V	1	INCLUD.148 TILL 5.2011 FOR USA.CAN.MEX
*149A	340778D	STATOR ASS'Y 120V-127V	1	INCLUD.148 SINCE 6.2011 FOR USA.CAN.MEX
150	953174	HEX. HD. TAPPING SCREW D5X55	2	
151	321399	BALL BEARING 608VVC2NS7L	1	
*152A	360588U	ARMATURE ASS'Y 110V-120V	1	INCLUD.151.196 TILL 6.2011 FOR USA.CAN.MEX
*152B	360924U	ARMATURE ASS'Y 120V-127V	1	INCLUD.151.196 SINCE 6.2011 FOR USA.CAN.MEX
153A	946362	BEARING LOCK	1	
154	945161	BRUSH CAP	2	
155	999043	CARBON BRUSH (1 PAIR)	2	
*156	958900	BRUSH HOLDER	2	FOR USA.CAN.MEX
157	938477	HEX. SOCKET SET SCREW M5X8	2	
*158	321379	HOUSING ASS'Y	1	INCLUD.156.157 FOR USA.CAN.MEX
159	996247	MACHINE SCREW (W/WASHERS) M5X12 (BLACK)	1	
160	998980	SPACER	1	
161	996577	BOLT (W/WASHERS) M6X12 (BLACK)	1	
162	318958	SPINDLE COVER	1	
163	949258	MACHINE SCREW M6X20 (10 PCS.)	1	
164	606ZZM	BALL BEARING 606VV	1	
165	949455	SPRING WASHER M6 (10 PCS.)	1	
166	949425	WASHER M6 (10 PCS.)	1	
167		BRAND LABEL	1	
*168		WARNING LABEL (G)	1	FOR USA.CAN.MEX
169	304043	MACHINE SCREW (W/WASHERS) M4X10 (BLACK)	1	
170	877839	SEAL LOCK HEX. SOCKET HD. BOLT M5X10	1	
*171	321384	GEAR CASE	1	EXCEPT FOR USA.CAN (TILL 01.2012 FOR USA.CAN)
*171B	375133	GEAR CASE	1	SINCE 02.2012 FOR USA.CAN.MODEL(S)
*173	310878	TCT SAW BLADE 255MM-D15.88 HOLE-NT40	1	FOR USA.CAN.MEX
*174	308789	WASHER (D)	2	FOR USA.CAN.MEX.AUS.NZL.KOR
175	307731	COVER	1	
*176	321367	SAFETY COVER	1	FOR USA.CAN.MEX(TILL03.2007 FOR AUS.NZL)
*176A	322452	LOWER GUARD	1	FOR USA.CAN.MODEL(S)
*177A	322453	RETURN SPRING (A)	1	EXCEPT FOR USA.CAN MODEL(S)
*177B	375131	RETURN SPRING	1	FOR USA.CAN MODEL(S)
178	949241	MACHINE SCREW M5X20 (10 PCS.)	2	
179	949454	SPRING WASHER M5 (10 PCS.)	2	
180	998335	BOLT (LEFT HAND) W/WASHER M7X17.5	1	
181	949322	FLAT HD. SCREW M4X10 (10 PCS.)	2	
182	308787	SPINDLE ASS'Y	1	INCLUD.183-186
183	6003DD	BALL BEARING 6003DD	1	
184	308788	BEARING HOLDER	1	
185	608VVM	BALL BEARING 608VVC2PS2L	2	
186		PINION	1	
187	931008	FEATHER KEY 4X4X12	1	
*188	949555	NUT M5 (10 PCS.)	1	TILL 12.2004 EXCEPT FOR NZL
189	988821	LOCK SPRING	1	

STANDARD ACCESSORIES

C10FSB / S

ITEM NO.	CODE NO.	DESCRIPTION	NO. USED	REMARKS
501	940543	BOX WRENCH 10MM	1	
*502	998845	DUST BAG (BLACK)	1	
*502	322955M	DUST BAG (BLACK)	1	FOR METABOHPT

OPTIONAL ACCESSORIES

ITEM NO.	CODE NO.	DESCRIPTION	NO. USED	REMARKS
601	321434	CROWN MOLDING VISE ASS'Y	1	INCLUD.602.618
602	321388	VISE (B) ASS'Y	1	INCLUD.603-608
603	321551	KNOB BOLT M10X54	1	
604	998836	KNOB BOLT M6X11	1	
605		SCREW HOLDER (B)	1	
606	306985	WASHER (H)	1	
607	964851	BASE RUBBER	1	
608	304043	MACHINE SCREW (W/WASHERS) M4X10 (BLACK)	1	
*609	960017	KNOB BOLT M6X32	1	FOR USA.CAN.MEX.AUS.NZL
*610	987860	SEAL LOCK HEX. SOCKET SET SCREW M6X6	2	FOR USA.CAN.MEX.AUS.NZL
*611	321552	PIN	2	FOR USA.CAN.MEX.AUS.NZL
*612		WARNING LABEL (L)	1	FOR USA.CAN.MEX.AUS.NZL
*613	321387	SUB FENCE (A) ASS'Y	1	INCLUD.609-612 FOR USA.CAN.MEX.AUS.NZL
614	960017	KNOB BOLT M6X32	1	
615	301806	WING BOLT M6X15	1	
616		CROWN MOLDING STOPPER (L)	1	
617	321390	CROWN MOLDING STOPPER HOLDER	1	
618	321374	CROWN MOLDING STOPPER (L) ASS'Y	1	INCLUD.614-617
619	974561	STOPPER	1	
620	949404	WING BOLT M6X20 (10 PCS.)	1	
621	321390	CROWN MOLDING STOPPER HOLDER	1	
622		CROWN HOLDING STOPPER (R)	1	
623	301806	WING BOLT M6X15	1	
624	321373	CROWN MOLDING STOPPER (R) ASS'Y	1	INCLUD.614.621-623
625	321549	HOLDER	1	
626	949313	WING NUT M6 (10 PCS.)	2	
627	949556	NUT M6 (10 PCS.)	2	
628	967329	WASHER (H)	4	
629A	322047	VISE PLATE	2	
630	996283	HIGH TENSION BOLT M6X65	2	
631	321553	GUIDE ASS'Y	1	INCLUD.614.619.620.625-630

