

PARTS LIST

10"JOB SITE TABLE SAW

MODEL NO. C10FR

Always order by I.D. Number.

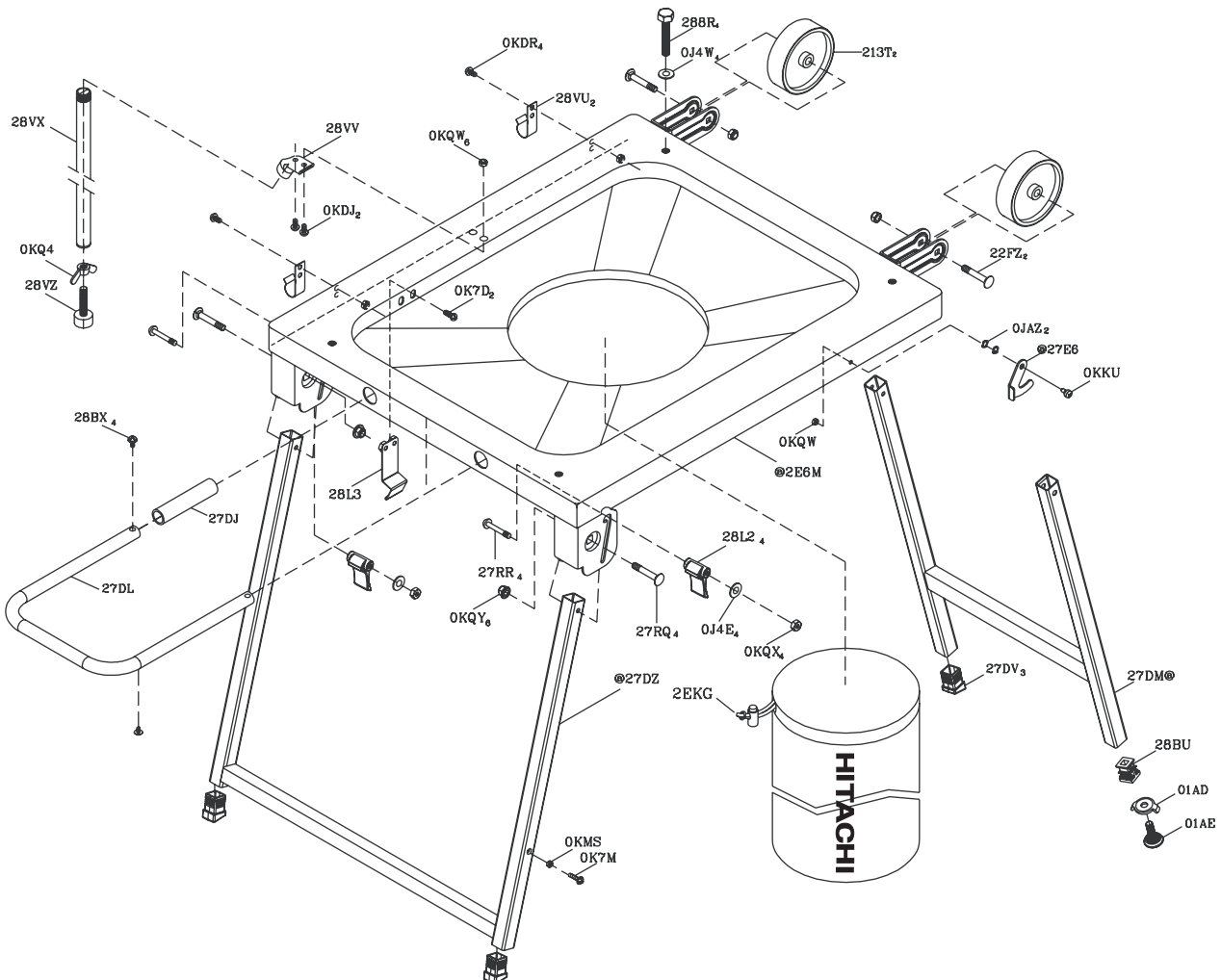
PARTS LIST FOR SCHEMATIC A

HKU#	I.D.	Description	Size	Qty	HKU#	I.D.	Description	Size	Qty	HKU#	I.D.	Description	Size	Qty
726345	2178	EXTENTION WING (RIGHT)		1	726507	OJCA	SPRING PIN		2	726649	10GP	UPER TUBE		1
726354	2771	ANGLE ROD		1	726513	OJED	C-RING	A-16	1	726291	2DAU	UPER TUBE		1
726434	08VH	CLAMP-CORD		1	726515	OJEY	E-RING	E-9	1	726657	20WQ	HEX. HD. BOLT	M6*1.0-50	1
726437	09JK	WRENCH HEX.		1	726523	OJPB	HEX. HD. BOLT	M5*0.8-20	1	726628	212M	LEAD WIRE ASSY		1
726438	0B23	SADDLE		1	726534	OJX7	HEX. SOC. SET SCREW	M6*1.0-6	2	726668	21BN	BRACKET GROUP ASSY		1
726439	0B24	SPRING		1	726535	OJXL	HEX. SOC. SET SCREW	M10*1.5-12	1	726695	237U	COVER		1
726440	0B27	POINTER BRACKET		1	726532	OKOZ	HEX. HD. SCREW AND WASHER	M8*1.25-16	4	726711	238S	POINTER		1
726441	0B2B	NEEDLE POINTER		1	726534	OK16	HEX. HD. SCREW AND WASHER	M8*1.25-16	1	726759	275D	EXTENTION WING		1
726442	0B2E	SWITCH BOX		1	726538	OK25	HEX.SOCKET HD.CAP SCREWS	M5*0.8-20	1	726760	275E	UPER TUBE		2
726443	0B3H	INSERT		1	726543	OK3G	CR.RE. PAN HD. SCREW & WASHER	M5*0.8-12	1	726761	275F	LOCATION SEAT		2
726444	0B3R	WRENCH		1	726549	OK57	CR. RE. COUNT HD. SCREW	M5*0.8-16	1	726762	275R	LOCATION SEAT		1
726445	0B84	WASHER		1	726557	OK7K	CR. RE. ROUND WASHER HD. SCREW	M6*1.0-12	2	726763	275U	SPACER		1
726446	0B99	SPACER		1	726561	OK8C	CR. RE.COUNT HD. TAPPING SCREW	M4*18-10	4	726778	27QV	PARTS BOX CARTON		1
726447	0B9C	PLUNGER HOUSING		1	726562	OK8D	CR. RE.COUNT HD. TAPPING SCREW	M4*18-16	2	726782	287H	RETAINING CLIP		1
726448	0B9P	CLAMP		2	726566	OK9T	HEX. HD. TAPPING SCREW	M5*16-16	6	726786	28CK	POWER CABLE ASSY		1
726449	0B9W	BRACKET		1	726567	OK9U	HEX. HD. TAPPING SCREW	M5*16-25	8	726790	28FK	TABLE		1
726450	0BA4	SPACER		1	726570	OKA4	CR.RE. PAN HD. TAPPING SCREW	M4*16-16	2	726799	28L9	LOCK KNOB		1
726451	0BA9	SPACER		2	726572	OKAP	CR.RE. PAN HD. TAPPING SCREW	M5*0.8-10	1	726802	28MC	PARALLEL BRACKET ASSY		1
726452	0BAA	CLAMP		1	726574	OKC8	CR. RE. TRUSS HD. TAPPING SCREW	M4*16-16	2	726803	28MD	MITER GAUGE ASSY		1
726453	0BAB	SHIM		1	726575	OKCA	CR. RE. TRUSS HD. TAPPING SCREW	M5*12-12	2	726293	28MF	BODY SHELL ASSY		1
726454	0BAC	SET NUT		1	726576	OKCH	CR.RE. PAN HEAD TAPPING & WASHER SCREW	M5*0.8-12	2	726804	28MG	HAND WHEEL ASSY		1
726455	0BAE	ARBOR COLLAR		1	726577	OKCX	CROSS-RECESSED PAN HD PLAIN WASHER TAPPING SCREW	M5*0.8-10	6	726805	28MH	HAND WHEEL ASSY		1
726456	0BAT	NUT		1	726578	OKCY	CROSS-RECESSED PAN HD PLAIN WASHER TAPPING SCREW	M5*0.8-12	4	726322	28N2	BATTERY ASSEMBLY		1
726457	0BAU	SUPPORTING PLATE		1	726581	OKDR	CR. RE. PAN HD. SCREW	M5*0.8-10	1	726811	28P2	ROCKER SWITCH		1
726458	0BAX	STIFFENER		1	726582	OKDU	CR. RE. PAN HD. SCREW	M6*1.0-12	2	726812	28PA	KNOB		1
726459	0BAY	SCREW BAR		1	726585	OKF6	CR. RE. PAN HD. SCREW	M4*0.7-8	2	726835	28W3	LABEL		1
726460	0BAZ	BEARING SEAT		1	726587	OKFG	CR. RE. PAN HD. SCREW	M5*0.8-12	2	726836	28W4	STICKER		1
726461	0BB1	SHAFT		1	726588	OKHZ	CAP HD. SQ.NECK BOLT	M6*1.0-12	2	726837	28W6	STICKER		1
726462	0BB2	PARRLE RING		1	726589	OKJ4	CAP HD. SQ.NECK BOLT	M6*1.0-35	1	726838	28W7	CAUTION LABEL		1
726463	0BC2	LOCATION SEAT		2	726590	OKJ5	CAP HD. SQ.NECK BOLT	M6X1.0-80	1	726839	28W8	LABEL		1
726466	OGD0	BLADE		1	726596	OKMR	HEX. NUT	M5*0.8 T=4	1	726840	28W9	SCALE		1
726476	OJ3U	WRENCH HEX.		1	726597	OKMS	HEX. NUT	M6*1.0 T=5	1	726841	28WA	CAUTION LABEL		1
726479	OJ4H	FLAT WASHER	10*30-0.2	2	726600	OKMV	HEX. NUT	M10*1.5 T=8	1	726842	28WB	WARNING LABEL		1
726483	OJ5L	FLAT WASHER	5*10-0.3	10	726601	OKMW	HEX. NUT	M10*1.5 T=4	1	726843	28WC	WARNING LABEL		1
726485	OJ6T	FLAT WASHER	3/16*3/4-1/16	4	726603	OKMY	HEX. NUT	M8*1.25 T=6.5	1	726844	28WD	CAUTION LABEL		1
726486	OJ6U	FLAT WASHER	3/16*1/2-3/64	1	726605	OKND	HEX. NUT	M5*0.8 T=4	2	726845	28WE	SCALE		1
726487	OJ6V	FLAT WASHER	3/16*3/8-0.022	9	726612	OKQJ	CROWN NUT	M8*1.25T=12.5	2	726846	28WF	SCALE		1
726488	OJ70	FLAT WASHER	1/4*3/4-7/64	1	726615	OKQW	NUT CHUCK	M5*0.8 T=5	2	726847	28WG	WARNING LABEL		1
726490	OJ76	FLAT WASHER	1/4*3/4-1/16	2	726622	OKRX	HEXAGON NUT AND FLAT WASHER	M6*1.0	3	726848	28WL	WARNING LABEL		1
726494	OJ80	FLAT WASHER	5/32*13/32-3/64	2	726625	OKSW	STRAIN RELIEF		1	726861	28X4	BLADE GUARD ASSY		1
726495	OJ8D	FLAT WASHER	3/8*3/4-5/64	2	726635	OLSL	CIRCUIT BREAKER SWITCH		1	726867	29OT	MOTOR		1
726497	OJ95	SPRING WASHER		1	726642	OSTE	HEIGHT REGULATING BOLT ASSY		1	726293	29PD	WARNING LABEL		2
726500	OJAA	WASHER		1	726644	OTOO	SLIDING BASE ASSY		2					
726501	OJAE	EXTERNAL TOOTH LOCK WASHER		2										
726502	OJAF	EXTERNAL TOOTH LOCK WASHER		1										
726506	OJ9C	SPRING PIN		1										

10" JOB SITE TABLE SAW

MODEL NO. C10FR

HKU#	I.D.	Description	Size	Qty	HKU#	I.D.	Description	Size	Qty
726357	01AD	WING NUT		1	726765	27DL	HANDLE		1
726358	01AE	LEVELING PAD		1	726766	27DM	BRACKET ASS'Y (RIGHT)		1
726477	0J4E	FLAT WASHER	6*13-1	4	726767	27DV	LEVELING PAD		3
726482	0J4W	FLAT WASHER	8.2*18-1.5	4	726770	27DZ	BRACKET ASS'Y (LEFT)		1
726503	0JAZ	WAVE WASHER	WW-6	2	726356	27E6	HOOK		1
726554	0K7D	CR. RE. ROUND WASHER HD. SCREW	M6*1.0-10	2	726779	27RQ	CAP HD. SQ.NECK BOLT	M8*1.25-40	4
726559	0K7M	CR. RE. ROUND WASHER HD. SCREW	M6*1.0-18	1	726780	27RR	CR.-RE. TRUSS HD. SCREW	M6*1.0-45	4
726580	0KDJ	CR. RE. PAN HD. SCREW	M5*0.8-12	2	726783	288R	HEX. HD. BOLT	M8*1.25-55	4
726581	0KDR	CR. RE. PAN HD. SCREW	M5*0.8-10	4	726784	28BU	FLOOR PLATE		1
726594	0KKU	CR.RE. PAN HD. ROUND NECK SCREW	M5*0.8-10	1	726785	28BX	CROSS-RECESSED PAN HD PLAIN WASHER TAPPING SCREW	M5*0.8-10	4
726597	0KMS	HEX. NUT	M6*1.0 T=5	1	726797	28L2	CLAMP HANDLE		4
726610	0KQ4	WING NUT	M8*1.25	1	726798	28L3	FOLLOWER PLATE		1
726615	0KQW	NUT CHUCK	M5*0.8 T=5	7	726831	28VU	HOOK		2
726616	0KQX	NUT CHUCK	M6*1.0 T=6	4	726832	28VV	CONNECTOR		1
726617	0KQY	NUT CHUCK	M8*1.25 T=8	6	726833	28VX	SUPPORTING TUBE ASS'Y		1
726665	213T	ROLLING WHEEL		2	726834	28VZ	LEVELING PAD		1
726673	22FZ	CAP HD. SQ.NECK BOLT	M8*1.25-45	2	726292	2E6M	DUST COLLECTOR ASS'Y		1
726764	27DJ	FOAM		1	726809	2EKG	DUST BAG		1



10 in. J0B SITE TABLE SAW
MOTORSCHEMATIC AND PART LIST

MODEL NO. C10FR

Parts No.	I. D.	Description	Size	QTY
329468	1502	FIELD ASS'Y		1
326905	0HX9	NEEDLE BEARING		1
326907	0JX3	HEX. SOC. SET SCREW	M5*0.8-8	2
326908	0K3A	CR. RE. PAN HD. SCREW & WASHER	M5*0.8-30	4
325732	0KTA	STRAIN RELIEF		1
328138	0QEA	BRACKET		1
329469	0QEC	ARBOR SHAFT ASS'Y		1
326910	0QM2	BRUSH HOLDER ASS'Y		2
326242	0QQT	BRUSH ASS'Y		2
326243	0QRO	BRUSH COVER		2
326989	0R1Q	MOTOR HOUSING		1
326911	0R1S	BEARING BUSHING		1
326912	0R20	BAFFLE		1
329014	146W	CR. RE. PAN HEAD TAPPING & WASHER SCREW	M5*12-60	2
326914	28TR	RETAINING CLIP		1
329470	2QF6	ARMATURE ASS'Y		1
328142	Y43L	CR. RE. COUNT HD. & WAHSER SCREW	M4*0.7-12	4

999044 Also work

