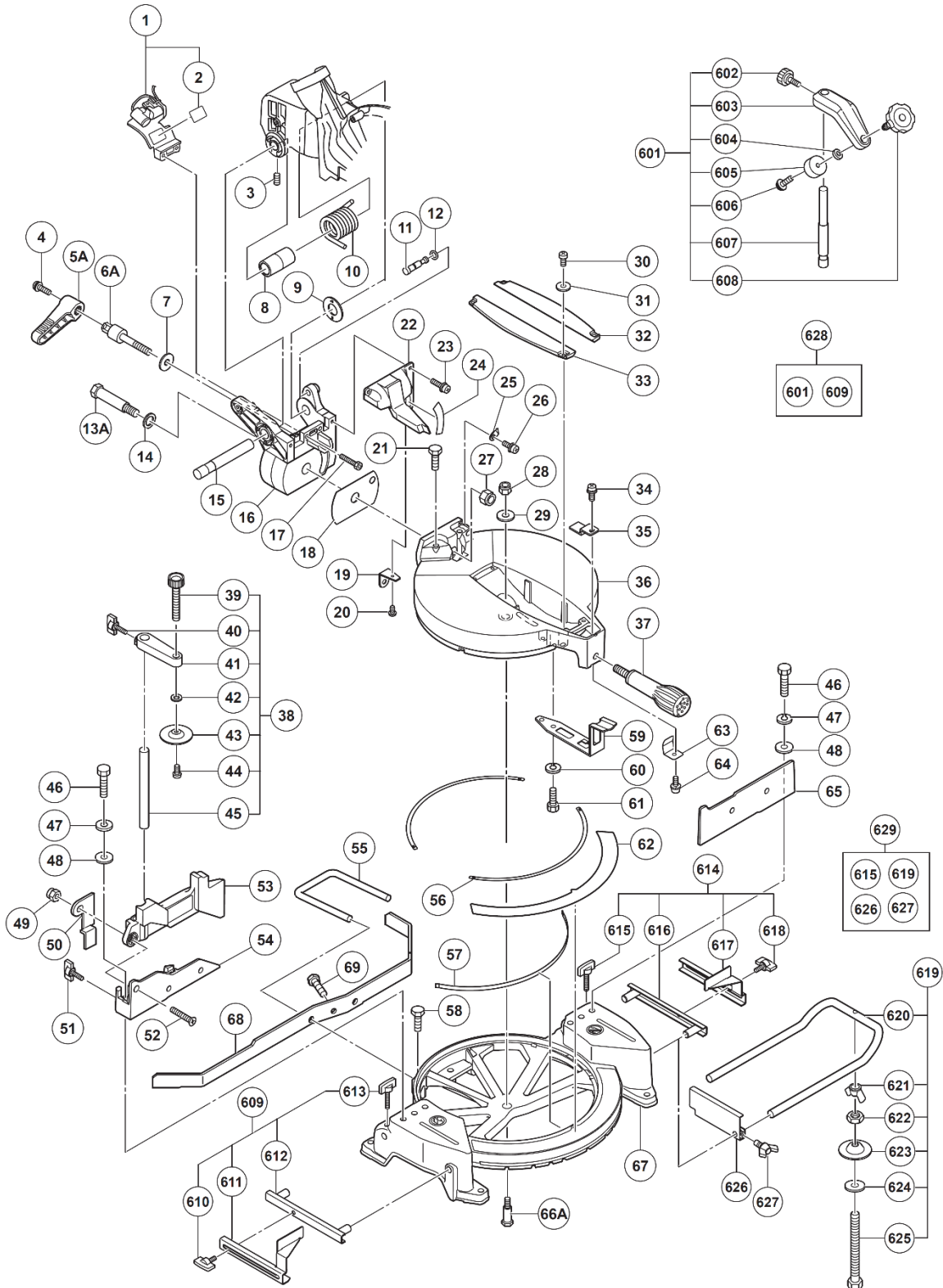
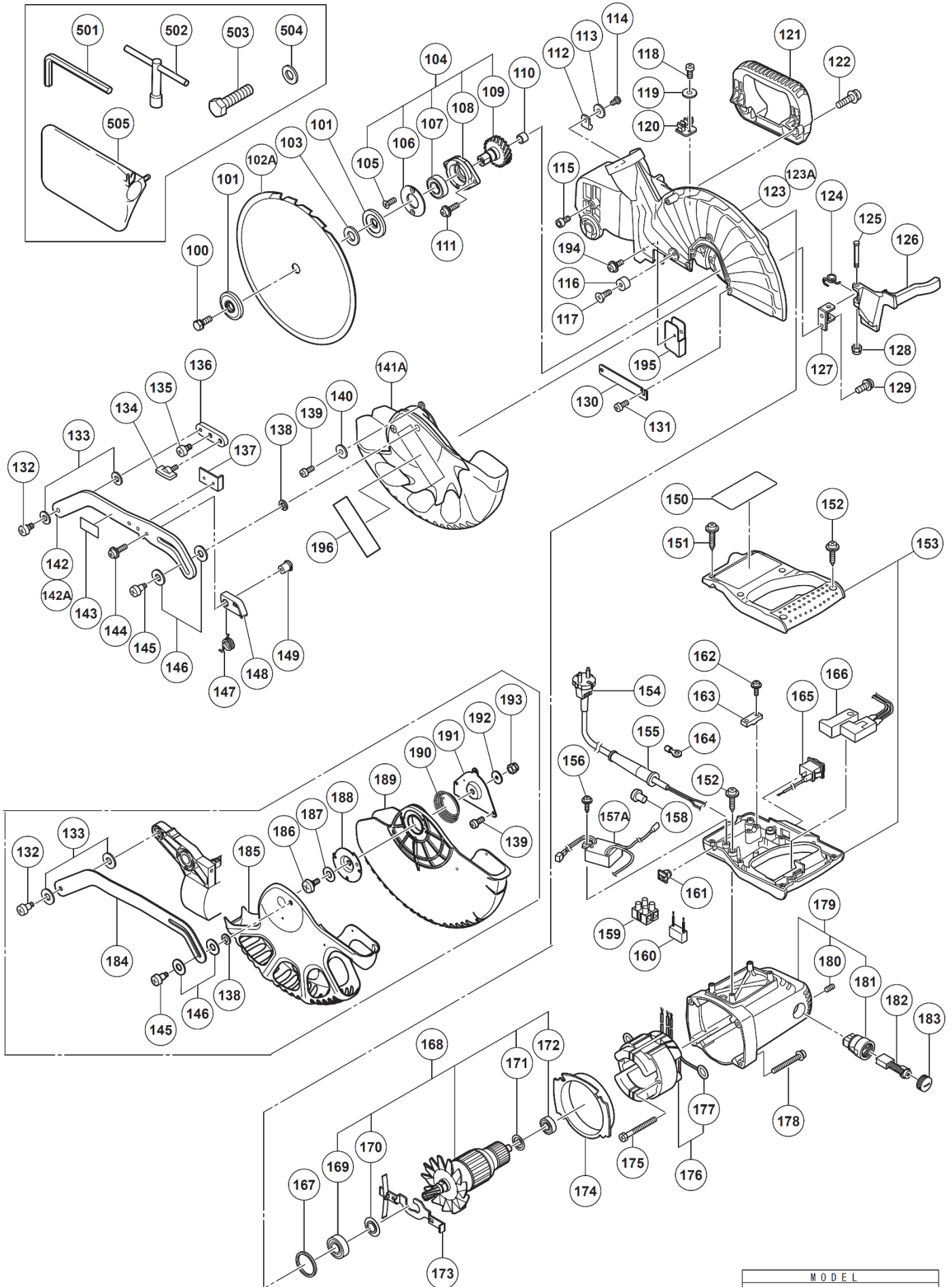


ELECTRIC TOOL PARTS LIST

■ COMPOUND MITER SAW
Model C 10FCH2 / S

2019 • 06 • 18
(E1b)





MODEL
C10FCH2(2/2)

PARTS

C10FCH2 / S

ITEM NO.	CODE NO.	DESCRIPTION	NO. USED	REMARKS
1	326748	LASER HOLDER	1	
2		CAUTION LABEL (A)	1	
3	307956	SEAL LOCK HEX. SOCKET SET SCREW M6X10	1	
4	323208	MACHINE SCREW (W/WASHERS) M6X20 (BLACK)	1	
5A	371742	CLAMP LEVER	1	
6A	371743	BOLT (LEFT HAND) M10	1	
7	318934	SPECIAL WASHER	1	
8	322889	SLEEVE	1	
9	322965	LINER (D)	1	
10	322890	SPRING	1	
11	302518	STOPPER PIN ASS'Y	1	INCLUD.12
12	984528	O-RING (P-6)	1	
13A	371740	SHAFT (D)	1	
14	322934	WASHER M16	1	
15	322888	SHAFT (C)	1	
*16	322932	HINGE	1	EXCEPT FOR USA.CAN(TILL 12.2018 FOR USA.CAN)
*16A	375121	HINGE	1	SINCE 1.2019 FOR USA.CAN.MODEL(S)
17	949660	HEX. SOCKET HD. BOLT M6X20 (10 PCS.)	2	
18	322937	LINER (B)	1	
19	322963	DUST GUIDE HOLDER	1	
20	949215	MACHINE SCREW M4X8 (10 PCS.)	1	
21	303409	NYLOCK BOLT M8X25	2	
22	322891	DUST GUIDE ASS'Y	1	INCLUD.19.20.24
23	990541	MACHINE SCREW (W/WASHERS) M5X16	2	
24	322892	SCALE (B)	1	
25	322893	INDICATOR (B)	1	
26	304043	MACHINE SCREW (W/WASHERS) M4X10 (BLACK)	1	
27	680418	NYLON NUT M12	1	
28	975348	NYLON NUT M8	1	
29	318929	WASHER (F)	1	
30	949217	MACHINE SCREW M4X12 (10 PCS.)	4	
31	949429	BOLT WASHER M4 (10 PCS.)	4	
32	322929	TABLE INSERT (A)	1	
33	322930	TABLE INSERT (B)	1	
34	304043	MACHINE SCREW (W/WASHERS) M4X10 (BLACK)	1	
35	322904	INDICATOR (A)	1	
36	326695	TURN TABLE	1	
37	322898	SIDE HANDLE	1	
38	322952	WISE ASS'Y	1	INCLUD.39-45
39	302522	KNOB BOLT M10X66	1	
40	301806	WING BOLT M6X15	1	
41		SCREW HOLDER	1	
42	949432	BOLT WASHER M6 (10 PCS.)	1	
43	302532	WISE PLATE	1	
44	949216	MACHINE SCREW M4X10 (10 PCS.)	1	
45	322954	WISE SHAFT	1	
46	949678	BOLT M8X35 (10 PCS.)	4	
47	949457	SPRING WASHER M8 (10 PCS.)	4	
48	949433	BOLT WASHER M8 (10 PCS.)	4	
49	963837	NYLON NUT M6	1	
50	326711	PLATE (A)	1	
51	301806	WING BOLT M6X15	1	
52	949342	FLAT HD. SCREW M6X25 (10 PCS.)	1	
53	326704	SUB FENCE (B)	1	
54	326698	FENCE (B)	1	
55	326705	HOLDER	1	
56	322901	LINER (A)	2	
57	322964	LINER (C)	1	
58	949611	BOLT M6X12 (10 PCS.)	1	
59	322903	SPRING PLATE	1	
60	949457	SPRING WASHER M8 (10 PCS.)	2	
61	949655	HEX. SOCKET HD. BOLT M8X16 (10 PCS.)	2	
63	326696	SPACER (A)	1	

PARTS

C10FCH2 / S

ITEM NO.	CODE NO.	DESCRIPTION	NO. USED	REMARKS
64	317200	MACHINE SCREW (W/WASHERS) M4X8 (BLACK)	1	
65	326697	FENCE (A)	1	
66A	371738	SHAFT (B)	1	
*100	998335	BOLT (LEFT HAND) W/WASHER M7X17.5	1	EXCEPT FOR NZL
*101	308789	WASHER (D)	2	FOR USA.CAN.MEX.AUS.NZL.HKG
*102A	318963	TCT SAW BLADE 255MM-D15.88 HOLE-NT24	1	
104	323133	SPINDLE ASS'Y	1	INCLUD.105-109
105	990430	SEAL LOCK FLAT HD. SCREW M4X10	2	
106	322919	BEARING COVER	1	
107	6003VV	BALL BEARING 6003VVCMP2L	1	
108	322918	BEARING HOLDER	1	
109	322917	SPINDLE AND GEAR SET	1	
110	982027	NEEDLE BEARING (HK1010)	1	
111	987512	MACHINE SCREW (W/SP. WASHER) M5X16	2	
112	980523	NYLON CLIP	2	
113	949429	BOLT WASHER M4 (10 PCS.)	2	
114	949215	MACHINE SCREW M4X8 (10 PCS.)	2	
*115	949819	HEX. SOCKET HD. BOLT M5X10 (10 PCS.)	1	EXCEPT FOR NZL
116	961729	CUSHION	1	
117	949340	FLAT HD. SCREW M6X16 (10 PCS.)	1	
118	949217	MACHINE SCREW M4X12 (10 PCS.)	2	
119	949429	BOLT WASHER M4 (10 PCS.)	2	
120	322920	HOOK	1	
121	326708	HANDLE	1	
122	323208	MACHINE SCREW (W/WASHERS) M6X20 (BLACK)	2	
*123	326701	GEAR CASE	1	INCLUD.110 FOR USA.CAN.MEX.
*130	322951	SPINDLE COVER	1	FOR EUROPE.USA.CAN.MEX.AUS
*131	949215	MACHINE SCREW M4X8 (10 PCS.)	2	FOR EUROPE.USA.CAN.MEX.AUS
132	322950	SPECIAL SCREW M6	1	
133	322948	WASHER M7	2	
138	949454	SPRING WASHER M5 (10 PCS.)	1	
139	949215	MACHINE SCREW M4X8 (10 PCS.)	3	
140	949429	BOLT WASHER M4 (10 PCS.)	3	
*141A	326747	PROTECTIVE COVER	1	EXCEPT FOR USA.CAN (TILL 12.2018 FOR USA.CAN)
*141B	375119	PROTECTIVE COVER	1	SINCE 1.2019 FOR USA.CAN.MODEL(S)
143		CAUTION LABEL(F)	1	
145	322947	SPECIAL SCREW (C) M5	1	
146	322938	WASHER M10	2	
150		NAME PLATE	1	
151	307028	TAPPING SCREW (W/FLANGE) D4X25 (BLACK)	2	
152	301653	TAPPING SCREW (W/FLANGE) D4X20 (BLACK)	6	
*153	326749	SWITCH HANDLE	1	EXCEPT FOR USA.CAN(TILL 12.2018 FOR USA.CAN)
*153A	375118	SWITCH HANDLE	1	SINCE 1.2019 FOR USA.CAN.MODEL(S)
*154	500453Z	CORD	1	(CORD ARMOR D10.7) FOR USA.CAN.MEX
155	940778	CORD ARMOR D10.7	1	
156	984750	TAPPING SCREW (W/FLANGE) D4X16	1	
*157A	371119	SWITCHING POWER SUPPLY	1	FOR USA.CAN
*158	959141	CONNECTOR 50092 (10 PCS.)	2	FOR USA.CAN.MEX
161	319349	CORD BUSH	1	
162	984750	TAPPING SCREW (W/FLANGE) D4X16	2	
163	937631	CORD CLIP	1	
165	319503	SWITCH (W/COVER)	1	
*166	326699	SWITCH (3P FASTON TYPE) W/O LOCK	1	FOR MEX (TILL 12.2018 FOR USA.CAN)
*166A	375672	SWITCH (3P FASTON TYPE) W/O LOCK	1	SINCE 1.2019 FOR USA.CAN.MODEL(S)
167	303792	RUBBER RING	1	
*168	360656U	ARMATURE ASS'Y 110V-120V	1	INCLUD.169-172
169	6202VV	BALL BEARING 6202VVCMP2L	1	
170	980700	DUST WASHER (B)	1	
171	302428	WASHER (A)	1	
172	6000VV	BALL BEARING 6000VVCMP2L	1	
173	322916	LOCK LEVER	1	
174	322915	FAN GUIDE	1	
175	953121	HEX. HD. TAPPING SCREW D5X50	2	
*176	340686C	STATOR ASS'Y 120V	1	INCLUD.177
177	937623	BRUSH TERMINAL	2	

STANDARD ACCESSORIES
C10FCH2 / S

ITEM NO.	CODE NO.	DESCRIPTION	NO. USED	REMARKS
501	944458	HEX. BAR WRENCH 4MM	1	
502	940543	BOX WRENCH 10MM	1	
503	949695	BOLT M10X35 (10 PCS.)	1	
*505	322955M	DUST BAG (BLACK)	1	FOR METABOHT

OPTIONAL ACCESSORIES

ITEM NO.	CODE NO.	DESCRIPTION	NO. USED	REMARKS
601	322957	WISE (B) ASS'Y	1	INCLUD.602-608
602	998836	KNOB BOLT M6X11	1	
603		SCREW HOLDER (B)	1	
604	306985	WASHER (H)	1	
605	964851	BASE RUBBER	1	
606	304043	MACHINE SCREW (W/WASHERS) M4X10 (BLACK)	1	
607	318967	WISE SHAFT	1	
608	321551	KNOB BOLT M10X54	1	
609	322713	CROWN MOLDING STOPPER (L) ASS'Y	1	INCLUD.610-613
610	301806	WING BOLT M6X15	1	
611		CROWN MOLDING STOPPER (L)	1	
612	321390	CROWN MOLDING STOPPER HOLDER	1	
613	316030	WING BOLT M6X52	1	
614	322714	CROWN MOLDING STOPPER (R) ASS'Y	1	INCLUD.615-618
615	316030	WING BOLT M6X52	2	
616	321390	CROWN MOLDING STOPPER HOLDER	1	
617		CROWN MOLDING STOPPER (R)	1	
618	301806	WING BOLT M6X15	1	
619	322956	HOLDER ASS'Y	1	INCLUD.620-625
620	321549	HOLDER	1	
621	949313	WING NUT M6 (10 PCS.)	1	
622	949556	NUT M6 (10 PCS.)	1	
623	322047	WISE PLATE	1	
624	949425	WASHER M6 (10 PCS.)	1	
625	323134	HIGH TENSION BOLT M6X80	1	
626	974561	STOPPER	1	
627	949404	WING BOLT M6X20 (10 PCS.)	1	
628	322712	CROWN MOLDING VISE ASS'Y	1	INCLUD.601.609
629	322710	GUIDE ASS'Y	1	INCLUD.615.619.626.627
*630	976472	TCT SAW BLADE CROSS-CUT 255MM-D15.9 HOLE	1	FOR USA.CAN.MEX
*631	319658	TCT SAW BLADE 255MM-D15.88 HOLE-NT100	1	FOR USA.CAN.MEX



Koki Holdings America Ltd.

www.metabo-hpt.com

1.800.829.4752