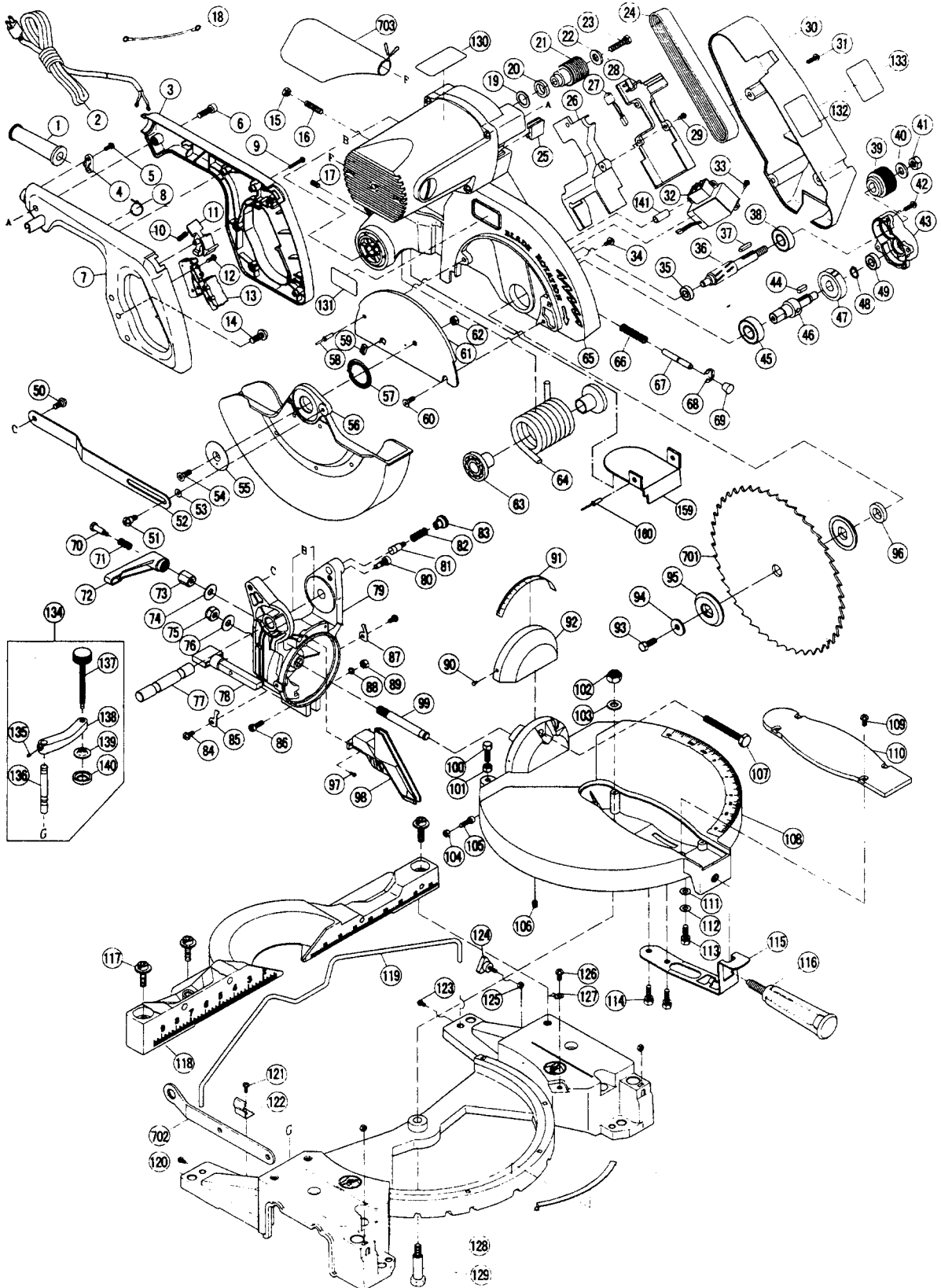


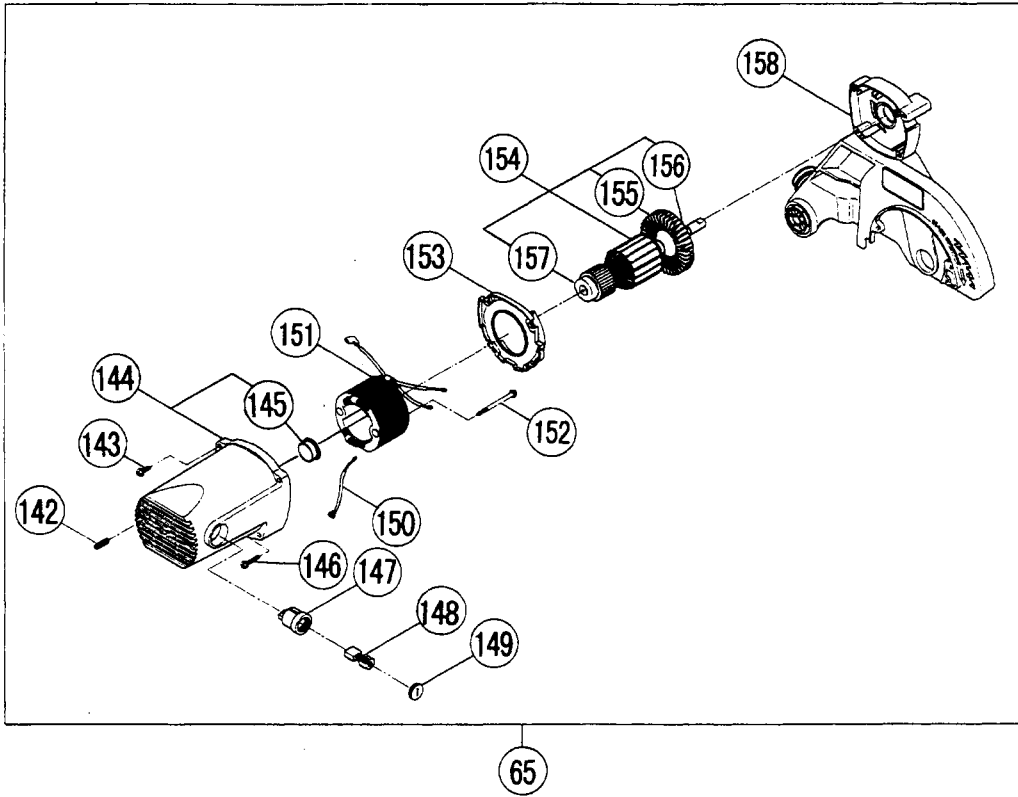
ELECTRIC TOOL PARTS LIST

■ COMPOUND SAW
Model C 10FCD

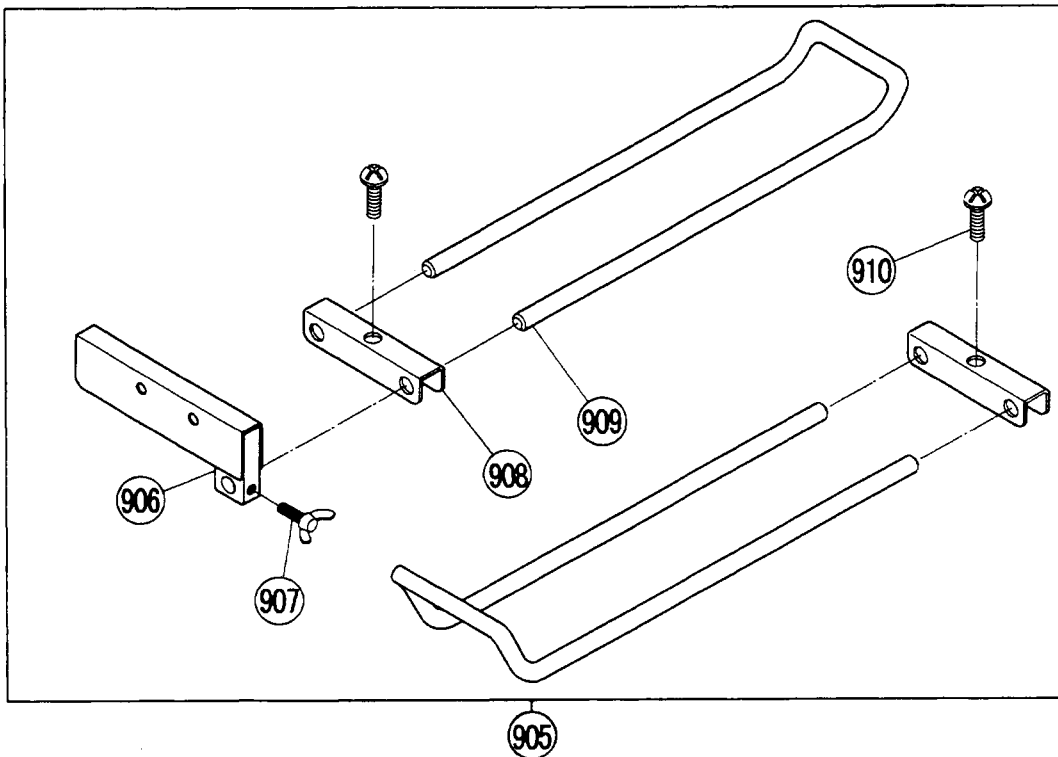
1999·1·20
(E1)



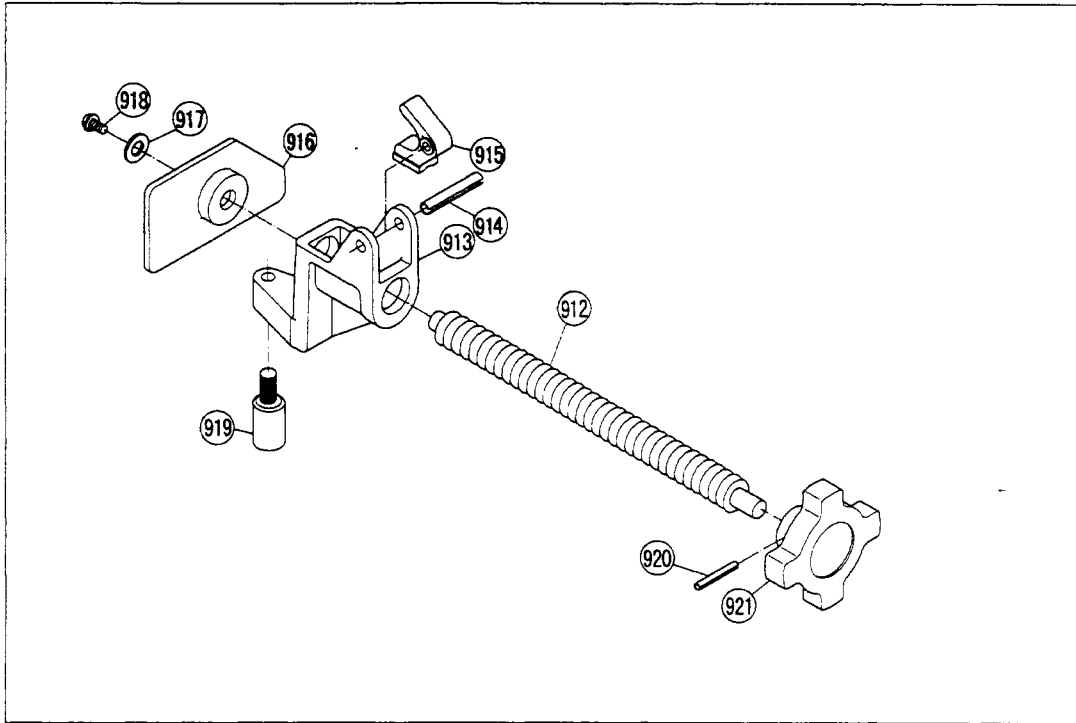
MOTOR ASSEMBLY



HOLDER ASSEMBLY



VICE ASSEMBLY



PARTS

C 10FCD

| ITEM No. | CODE NO. | DESCRIPTION | NO. USED | REMARKS |
|----------|----------|--------------------------------------|----------|---------|
| 1 | 311-096 | CORD GUARD | 1 | |
| 2 | 317-546 | POWER CABLE | 1 | |
| 3 | 317-547 | HANDLE COVER | 1 | |
| 4 | 311-070 | CORD CLAMP | 1 | |
| 5 | 317-548 | TAPPING SCREW D4X12 | 2 | |
| 6 | 949-780 | HEX. SOCKET HD. BOLT M8X35 (10 PCS.) | 3 | |
| 7 | 317-549 | HANDLE | 1 | |
| 8 | 317-550 | LOCKING CABLE TIE | 2 | |
| 9 | 317-551 | TAPPING SCREW D4X25 | 3 | |
| 10 | 311-106 | SPRING | 1 | |
| 11 | 317-552 | SWITCH LOCK | 1 | |
| 12 | 311-103 | TRUSS HD. TAPPING SCREW D4X12 | 1 | |
| 13 | 317-553 | SWITCH | 1 | |
| 14 | 949-271 | MACHINE SCREW M8X20 (10 PCS.) | 1 | |
| 15 | 949-556 | NUT M6 (10 PCS.) | 1 | |
| 16 | 950-094 | HEX. SOCKET SET SCREW M6X20 | 1 | |
| 17 | 968-247 | HEX. SOCKET SET SCREW M6X10 | 2 | |
| 18 | 317-554 | INTERNAL WIRE | 1 | |
| 19 | 317-555 | FLAT WASHER M13 | 1 | |
| 20 | 317-556 | MAGNET | 1 | |
| 21 | 317-557 | PULLEY (A) | 1 | |
| 22 | 317-558 | FLAT WASHER 1/4"X3/4" | 1 | |
| 23 | 949-613 | BOLT M6X16 (10 PCS.) | 1 | |
| 24 | 317-559 | V-BELT | 1 | |
| 25 | 317-560 | WIRE PROTECTOR | 1 | |
| 26 | 317-561 | CONNECTOR BOX | 1 | |
| 27 | 317-562 | PICK UP | 1 | |
| 28 | 317-563 | CONNECTOR BOX COVER | 1 | |
| 29 | 995-062 | TAPPING SCREW (W/WASHER) D4X16 | 3 | |
| 30 | 317-564 | REAR COVER | 1 | |
| 31 | 949-239 | MACHINE SCREW M5X16 (10 PCS.) | 3 | |
| 32 | 317-565 | CONTROLLER (R) | 1 | |
| 33 | 317-566 | TAPPING SCREW D4X16 | 3 | |
| 34 | 317-567 | ROUND WASHER HD. SCREW M5X8 | 2 | |
| 35 | 607-ZZM | BALL BEARING 607ZZMC2PS2S | 1 | |
| 36 | 317-569 | GEAR SHAFT | 1 | |
| 37 | 317-570 | PARALLEL KEY 4X4X20 | 1 | |
| 38 | 600-1VV | BALL BEARING 6001VVCMP2L | 1 | |
| 39 | 317-571 | PULLEY (B) | 1 | |
| 40 | 317-572 | FLAT WASHER | 1 | |
| 41 | 314-519 | NUT CHUCK M8 | 1 | |
| 42 | 949-239 | MACHINE SCREW M5X16 (10 PCS.) | 3 | |
| 43 | 317-573 | GEAR BOX | 1 | |
| 44 | 317-574 | PARALLEL KEY 4X4X8 | 1 | |
| 45 | 317-575 | BALL BEARING 6003LLU | 1 | |
| 46 | 317-576 | CUTTER SHAFT | 1 | |
| 47 | 317-577 | HELIX GEAR | 1 | |
| 48 | 317-578 | C-RING | 1 | |
| 49 | 608-VVM | BALL BEARING 608VVMC2EPS2L | 1 | |
| 50 | 314-980 | TRUSS HD. STEP SCREW M6X12 | 1 | |
| 51 | 317-579 | TRUSS HD. ROUND NECK SCREW M6X10 | 1 | |

* : ALTERNATIVE PARTS

1 - 99

PARTS

C 10FCD

| ITEM No. | CODE NO. | DESCRIPTION | NO. USED | REMARKS |
|----------|----------|--------------------------------------|----------|----------------|
| 52 | 317-580 | LEVER | 1 | |
| 53 | 317-505 | FLAT WASHER M6 | 1 | |
| 54 | 317-582 | COUNTER HD. SCREW M6X16 | 1 | |
| 55 | 317-583 | COLLAR | 1 | |
| 56 | 317-584 | PC-GUARD | 1 | |
| 57 | 314-987 | SPRING GUARD | 1 | |
| 58 | 311-036 | RIVET 3/16"X17/32" | 1 | |
| 59 | 317-585 | BUMPER | 1 | |
| 60 | 317-586 | COUNTER HD. SCREW M5X12 | 1 | |
| 61 | 317-587 | CUTTER SHAFT GUARD | 1 | |
| 62 | 314-522 | SPECIAL NUT CHUCK M6 | 1 | |
| 63 | 317-588 | SHAFT SLEEVE | | |
| 64 | 317-589 | TORSION SPRING | 1 | |
| 65 | 317-590 | MOTOR ASS'Y 115V (UL) | 1 | INCLUD.142-158 |
| 65 | 317-591 | MOTOR ASS'Y 115V (CSA) | 1 | INCLUD.142-158 |
| 66 | 317-600 | SPRING | 1 | |
| 67 | 317-601 | BRACKET STOP | 1 | |
| 68 | 317-602 | E-RING | 1 | |
| 69 | 311-016 | CAP RUBBER | 1 | |
| 70 | 317-362 | SCREW | 1 | |
| 71 | 317-363 | COMPRESSION SPRING | 1 | |
| 72 | 317-364 | CLAMP LEVER | 1 | |
| 73 | 317-365 | HANDLE COLLAR | 1 | |
| 74 | 317-603 | WASHER | 1 | |
| 75 | 317-604 | NUT CHUCK M10 | 1 | |
| 76 | 317-603 | WASHER | 1 | |
| 77 | 317-606 | PIVOT SHAFT | 1 | |
| 78 | 317-607 | LOCATING BAR | 1 | |
| 79 | 317-608 | ANGLE REGULATOR | 1 | |
| 80 | 317-609 | SET BOLT | 1 | |
| 81 | 317-610 | BRACKET STOP | 1 | |
| 82 | 317-611 | COMPRESSION SPRING | 1 | |
| 83 | 317-612 | PLUNGER HANDLE | 1 | |
| 84 | 949-236 | MACHINE SCREW M5X10 (10 PCS.) | 2 | |
| 85 | 317-613 | NEEDLE POINTER (L-SIDE) | 1 | |
| 86 | 949-822 | HEX. SOCKET HD. BOLT M5X35 (10 PCS.) | 1 | |
| 87 | 317-614 | NEEDLE POINTER (R-SIDE) | 1 | |
| 88 | 949-454 | SPRING WASHER M5 (10 PCS.) | 1 | |
| 89 | 317-615 | NUT CHUCK M5 | 1 | |
| 90 | 311-042 | DRIVE SCREW D2.3X5 | 2 | |
| 91 | 317-616 | TILTING SCALE | 1 | |
| 92 | 317-617 | PLATE COVER | 1 | |
| 93 | 317-618 | BOLT (LEFT HAND) M8X25 | 1 | |
| 94 | 317-619 | BLADE WASHER M30 | 1 | |
| 95 | 317-428 | ARBOR COLLAR | 2 | |
| 96 | 317-620 | COLLAR D25.4 | 1 | |
| 97 | 949-239 | MACHINE SCREW M5X16 (10 PCS.) | 2 | |
| 98 | 317-621 | CHIP DEFLECTOR | 1 | |
| 99 | 317-622 | PIVOT SHAFT | 1 | |
| 100 | 949-676 | BOLT M6X20 (10 PCS.) | 2 | |
| 101 | 949-556 | NUT M6 (10 PCS.) | 2 | |

PARTS

C 10FCD

| ITEM No. | CODE NO. | DESCRIPTION | NO. USED | REMARKS |
|----------|----------|---|----------|----------------|
| 102 | 314-519 | NUT CHUCK M8 | 1 | |
| 103 | 311-047 | FLAT WASHER M8 | 1 | |
| 104 | 949-556 | NUT M6 (10 PCS.) | 1 | |
| 105 | 317-623 | HEX. SOCKET SET SCREW M6X25 | 1 | |
| 106 | 968-247 | HEX. SOCKET SET SCREW M6X10 | 1 | |
| 107 | 311-108 | HEX. BOLT M10X65 | 1 | |
| 108 | 317-624 | TABLE | 1 | |
| 109 | 949-216 | MACHINE SCREW M4X10 (10 PCS.) | 4 | |
| 110 | 317-625 | TABLE INSERT | 1 | |
| 111 | 317-626 | WASHER | | |
| 112 | 317-627 | FLAT WASHER 1/4"X5/8" | 1 | |
| 113 | 317-628 | HEX. BOLT (W/WASHER) M6X20 | 1 | |
| 114 | 317-628 | HEX. BOLT (W/WASHER) M6X20 | 2 | |
| 115 | 317-630 | SPRING PLATE | 1 | |
| 116 | 317-631 | MITER HANDLE | 1 | |
| 117 | 317-632 | HEX. SOCKET HD. BOLT M8X45 | 3 | |
| 118 | 317-633 | FENCE | 1 | |
| 119 | 317-634 | EXTENSION STAY | 1 | |
| 120 | 317-635 | BASE | 1 | |
| 121 | 317-636 | TAPPING SCREW D5X10 | 1 | |
| 122 | 317-353 | FOLLOWER PLATE | 1 | |
| 123 | 949-236 | MACHINE SCREW M5X10 (10 PCS.) | 2 | |
| 124 | 317-637 | CLAMP BOLT M5X15 | 1 | |
| 125 | 949-555 | NUT M5 (10 PCS.) | 4 | |
| 126 | 949-236 | MACHINE SCREW M5X10 (10 PCS.) | 1 | |
| 127 | 317-638 | ANGLE POINTER | 1 | |
| 128 | 317-639 | SLIDE PLATE | 3 | |
| 129 | 317-640 | CENTER SHAFT | 1 | |
| 130 | | NAME PLATE | 1 | |
| 131 | | HITACHI LABEL | 1 | |
| 132 | 310-871 | CAUTION LABEL (E) | 1 | |
| 133 | 310-870 | WARNING LABEL (A) | 1 | |
| 134 | 317-642 | WISE ASS'Y (FOR VERTICAL) | 1 | INCLUD.135-140 |
| 135 | 968-247 | HEX. SOCKET SET SCREW M6X10 | 1 | |
| 136 | 317-643 | SUPPORT | 1 | |
| 137 | 317-644 | SCREW BAR | 1 | |
| 138 | 317-645 | WISE BEARING | 1 | |
| 139 | 317-646 | FLANGE | 1 | |
| 140 | 317-647 | BUSHING | 1 | |
| 141 | 317-641 | INSULATING SLEEVE | 2 | |
| 142 | 967-377 | HEX. SOCKET SET SCREW M5X8 | 2 | |
| 143 | 880-734 | MACHINE SCREW (W/WASHERS) M5X25 (BLACK) | 2 | |
| 144 | 317-592 | HOUSING ASS'Y | 1 | INCLUD.145 |
| 145 | 314-577 | BEARING BUSHING | 1 | |
| 146 | 997-841 | MACHINE SCREW (W/WASHERS) M5X50 (BLACK) | 2 | |
| 147 | 314-586 | BRUSH HOLDER | 2 | |
| 148 | 311-089 | CARBON BRUSH | 2 | |
| 149 | 314-583 | BRUSH CAP | 2 | |
| 150 | 317-593 | INTERNAL WIRE | 1 | |
| 151 | 317-594 | STATOR 115V | 1 | |
| 152 | 317-595 | MACHINE SCREW M5X60 | 2 | |

* : ALTERNATIVE PARTS

1 - 99

STANDARD ACCESSORIES

C 10FCD

| ITEM NO. | CODE NO. | DESCRIPTION | NO. USED | REMARKS |
|----------|----------|--------------------------------------|----------|---------|
| 701 | 311-128 | TCT SAW BLADE 255MM-D15.88 HOLE-NT24 | 1 | |
| 702 | 311-013 | WRENCH | 1 | |
| 703 | 311-034 | DUST BAG | 1 | |
| | | | | |
| | | | | |
| | | | | |
| | | | | |
| | | | | |
| | | | | |
| | | | | |
| | | | | |
| | | | | |
| | | | | |
| | | | | |
| | | | | |
| | | | | |
| | | | | |
| | | | | |
| | | | | |
| | | | | |
| | | | | |
| | | | | |
| | | | | |
| | | | | |

OPTIONAL ACCESSORIES

| ITEM NO. | CODE NO. | DESCRIPTION | NO. USED | REMARKS |
|----------|----------|--|----------|----------------|
| 901 | 976-472 | TCT SAW BLADE CROSS-CUT 255MM-D15.9 HOLE | 1 | |
| 902 | 977-671 | TCT SAW BLADE (A) 255MM-D15.88 HOLE-NT24 | 1 | |
| 903 | 976-473 | TCT SAW BLADE 255MM-D15.9 HOLE | 1 | |
| 904 | 977-673 | TCT SAW BLADE (B) 255MM-D15.88 HOLE-NT60 | 1 | |
| 905 | 317-542 | HOLDER ASS'Y | 1 | INCLUD.906-910 |
| 906 | 317-654 | STOCK STOP | 1 | |
| 907 | 317-375 | WING BOLT 1/4"X3/4" | 1 | |
| 908 | 317-655 | LOCK SUPPORT ROD | 2 | |
| 909 | 317-656 | EXTENSION WING | 2 | |
| 910 | 949-271 | MACHINE SCREW M8X20 (10 PCS.) | 2 | |
| 911 | 317-541 | WISE ASS'Y (FOR LATERAL) | 1 | INCLUD.912-921 |
| 912 | 317-648 | SCREW BAR | 1 | |
| 913 | 317-649 | WISE BEARING | 1 | |
| 914 | 949-515 | ROLL PIN D6X30 (10 PCS.) | 1 | |
| 915 | 317-650 | CLUTCH | 1 | |
| 916 | 317-629 | SET PLATE | 1 | |
| 917 | 311-126 | WASHER 3/16"X1/2" | 1 | |
| 918 | 317-503 | MACHINE SCREW (W/WASHER) M5X10 | 1 | |
| 919 | 317-652 | SUPPORT | 1 | |
| 920 | 949-518 | ROLL PIN D3X18 (10 PCS.) | 1 | |
| 921 | 317-653 | KNOB | 1 | |
| | | | | |
| | | | | |
| | | | | |
| | | | | |
| | | | | |
| | | | | |
| | | | | |
| | | | | |
| | | | | |
| | | | | |
| | | | | |