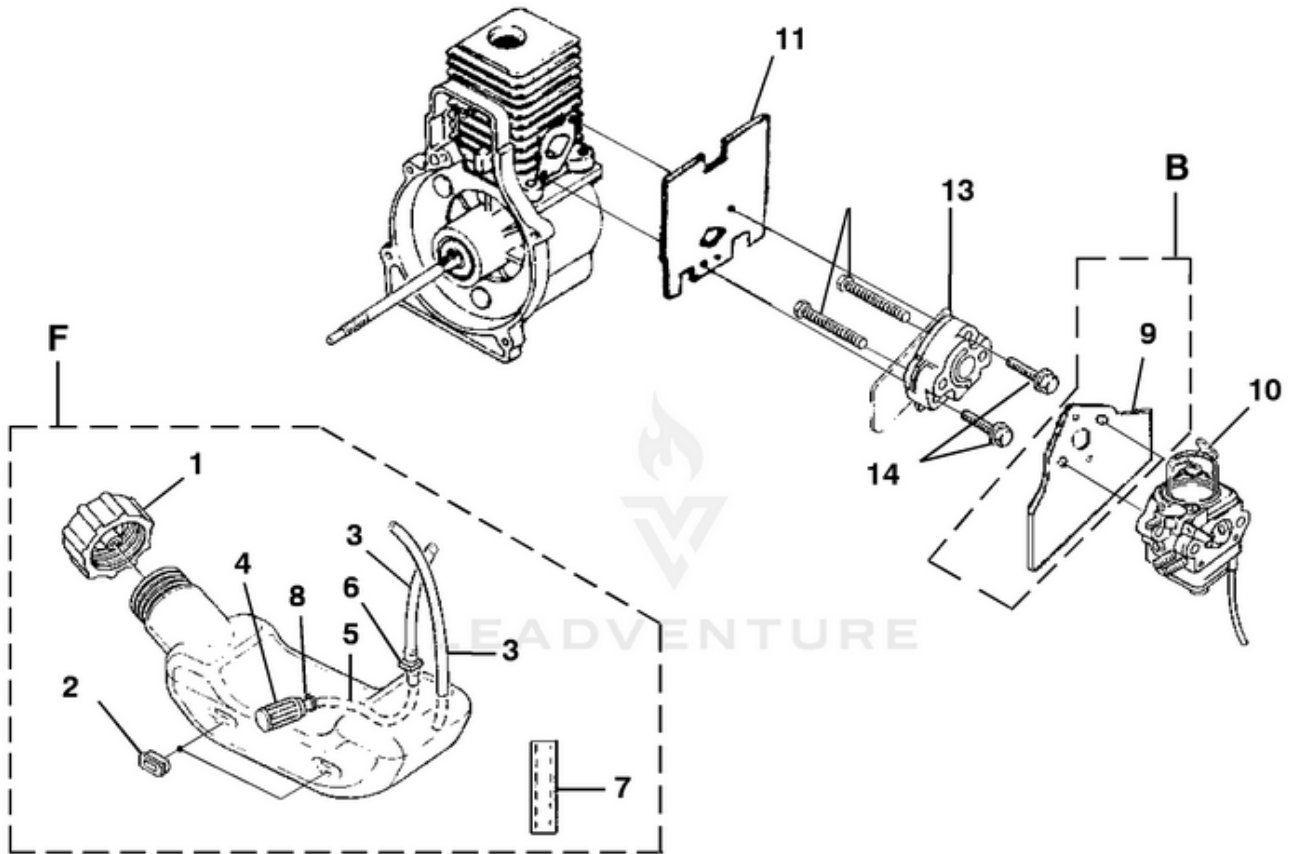


Bandit 2000 Blower UT-08102 08102-UT Bandit 2000 Blower UT-08102 Bandit 2000 Blower - Carburetor And Fuel Tank

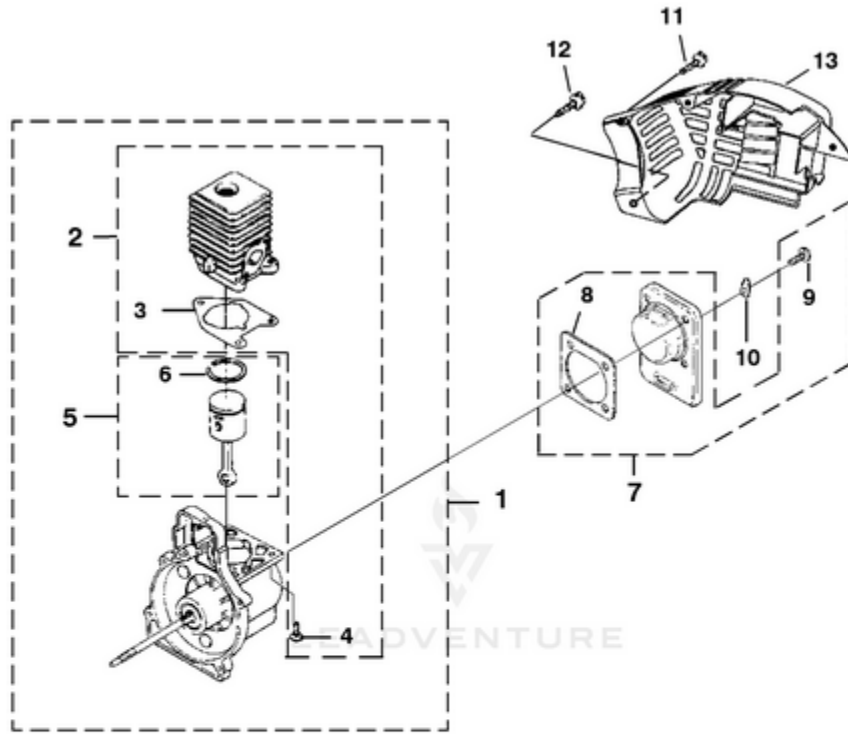


TORQUE SPECIFICATIONS			
Item No.	In/Lbs	Nm	Required Loctite
12	30-40	3.4-4.5	
14	40-50	4.5-5.6	262 Red

Rendered by LeadVenture, Inc.

Ref #	Part #	Description	Qty
F	UP00136A	FUEL TANK KIT	1
1	A09116	FUEL CAP (1 5/8" Opening)	1
2	98792	BUMPER-Rubber	3
3	0143922	TUBING-Rubber (5.5")	2
4	PS03380	FUEL FILTER	1
5	9477225	TUBING-Rubber (6 1/4")	1
6	07332	Fitting, Inlet	1
	02067	Fitting, Inlet	1
7	4283309	INSULATION-Tubing	1
8	98268	CLAMP	1
	06443A	GASKET-Crankcase	1
	PS01565	SCREW, Sems (10-24 x .56)	4
B	UP00010A	CARBURETOR KIT	1
9	987661	GASKET-Carburetor	1
10	UP03943	LEVER-Choke (Walbro WT419,WT469)	1
B	UP00653A	CARBURETOR KIT (Bandit 2000, Yardbroom & D25B)	1
9	987661	GASKET-Carburetor	1
10	UP03941	LEVER-Choke (Walbro WT471)	1
11	00775A	GASKET-Heat Dam	1
12	04474	CARB. BOLT	2
13	98768A	HEAT DAM	1
14	093221	USE 660662001	2

Bandit 2000 Blower UT-08102 08102-UT Bandit 2000 Blower UT-08102 Bandit 2000 Blower - Engine Internal

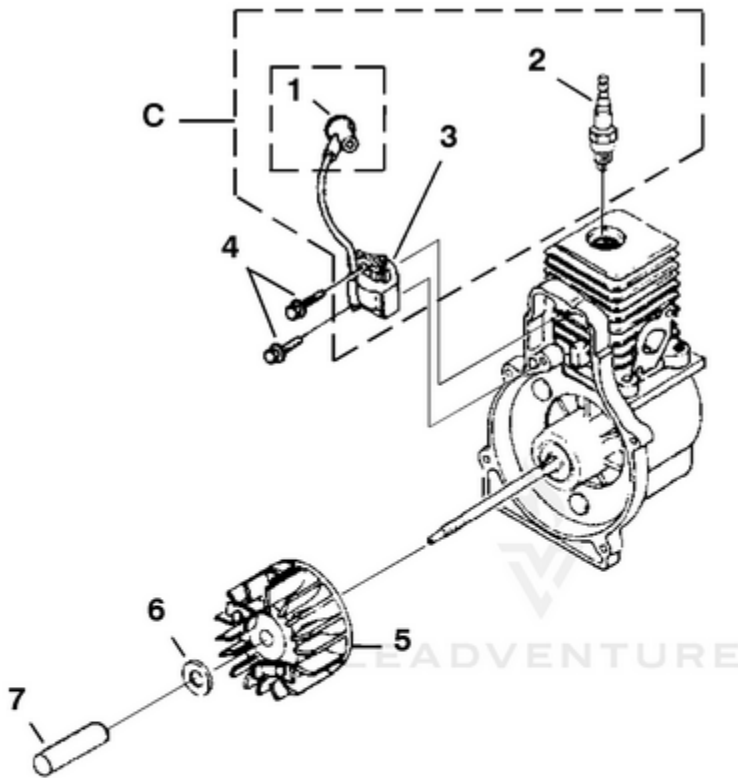


TORQUE SPECIFICATIONS			
Item No.	In/Lbs	Nm	Required Loctite
4	55-65	6.2-7.3	262 Red
9	55-65	6.2-7.3	262 Red
11	8-12	9-1.4	
12	20-30	2.3-3.4	

Rendered by LeadVenture, Inc.

Ref #	Part #	Description	Qty
1	UP03131	SHORT BLOCK (30cc)	1
2	UP07146	30 CC CYLINDER KIT	1
3	04388B	GASKET-Cylinder	1
4	PS02807	SCREW, SEMS (12-24 x 3/4)	3
	00775A	GASKET-Heat Dam	1
	00394B	GASKET-Muffler	1
5	UP03366	30 CC PISTON & ROD	1
6	03179	RING-Piston	2
1	UP03133A	SHORT BLOCK (25cc)	1
2	UP04136A	25 CC CYLINDER KIT	1
3	04388B	GASKET-Cylinder	1
4	PS02807	SCREW, SEMS (12-24 x 3/4)	3
	00775A	GASKET-Heat Dam	1
	00394B	GASKET-Muffler	1
5	984544001	25 CC PISTON & ROD	1
6	PS01359	RING-Piston	1
7	PS02130	CRANKCASE COVER- Stamped Steel	1
8	06443A	GASKET-Crankcase	1
9	PS01565	SCREW, SEMS (10-24 x .56)	4
10	02851	TAB-Male	1
11	82376	SCREW-Thread Form. (#8 X 1/2")	3
12	82563	SCREW-Thread Form. (#10 X 3/4")	6
13	UP06522A	SHROUD	1

Bandit 2000 Blower UT-08102 08102-UT Bandit 2000 Blower UT-08102 Bandit 2000 Blower - Ignition
With Rotor

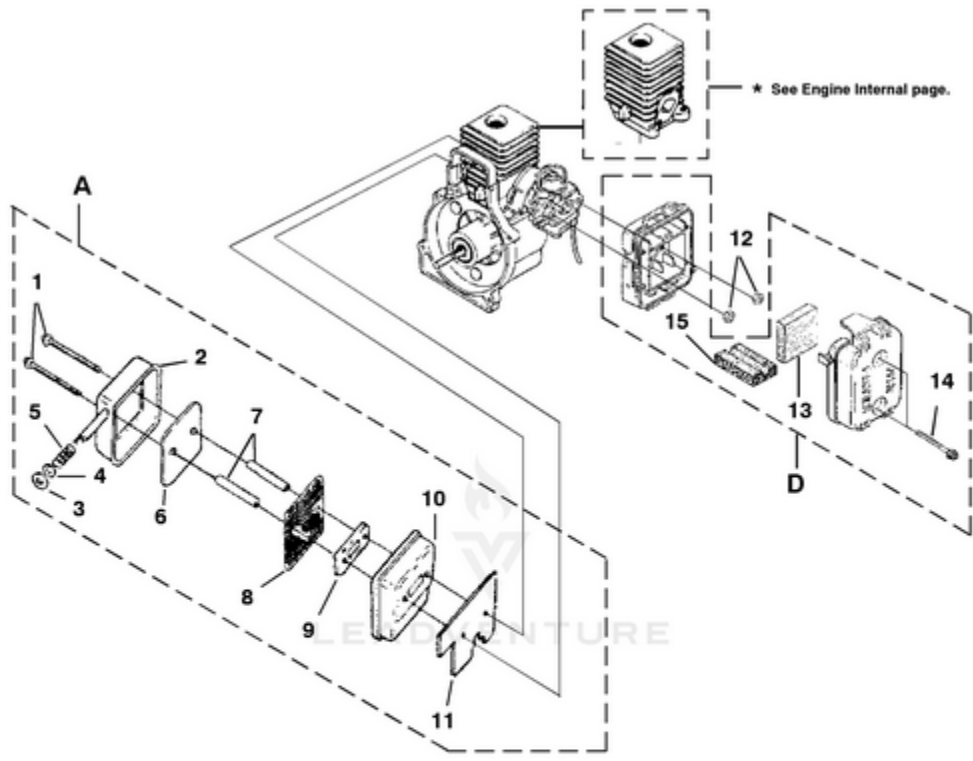


TORQUE SPECIFICATIONS			
Item No.	In/Lbs	Nm	Required Loctite
2	120-180	13.6-20.3	
4	30-40	3.4-4.5	242 Blue

Rendered by LeadVenture, Inc.

Ref #	Part #	Description	Qty
C	UP03858	IGNITION KIT w/Module	1
1	UP03868	TERMINAL and COVER	1
2	PS02227	SPARK PLUG	1
3	01341B	IGNITION Module	1
4	82540	SCREW-Thread Form. (8-32 x 1")	2
5	984521001	USE 986153001	1
6	95479A	WASHER-Flat	1
7	PS03566	SPACER-Fan	1

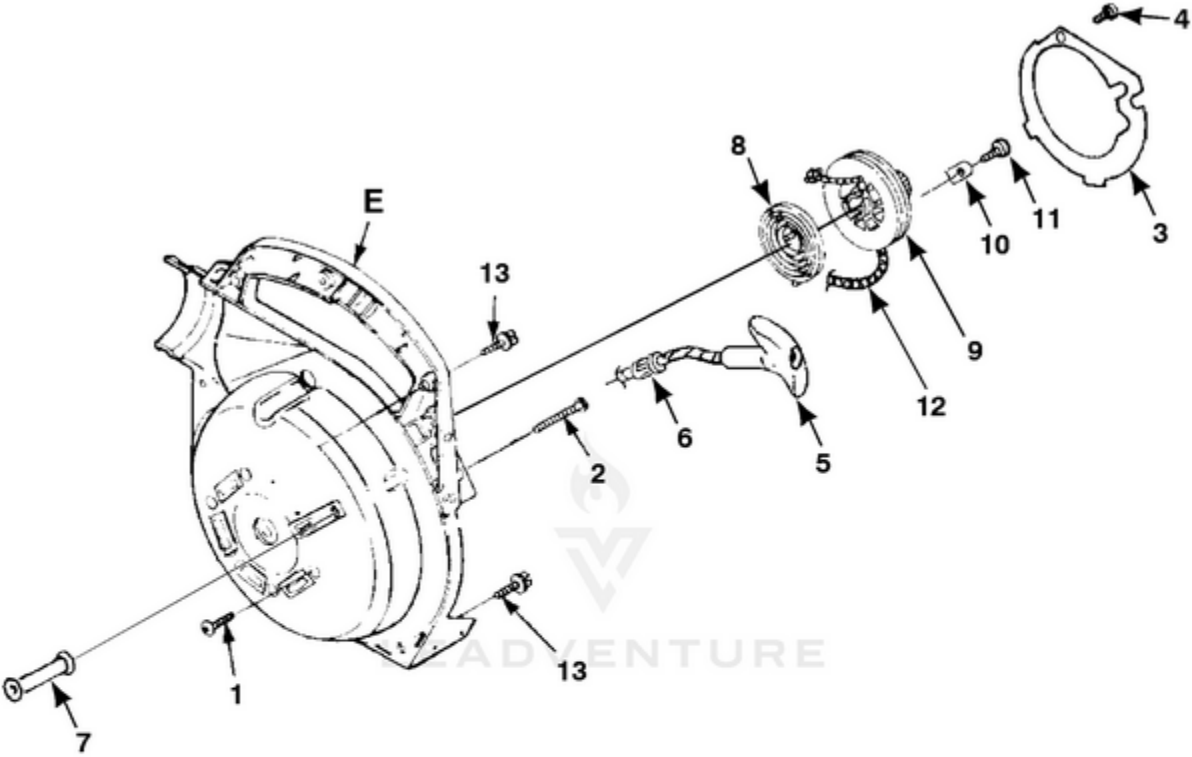
Bandit 2000 Blower UT-08102 08102-UT Bandit 2000 Blower UT-08102 Bandit 2000 Blower - Muffler And Air Cleaner



TORQUE SPECIFICATIONS			
Item No.	In/Lbs	Nm	Required Loctite
1	40-50	4.5-5.6	
12	30-40	3.4-4.5	
14	30-40	3.4-4.5	

Rendered by LeadVenture, Inc.

Ref #	Part #	Description	Qty
A	PA01181	MUFFLER-Complete	1
1	88060	SCREW-Sems Hex Hd. (10-24 x 2 1/2")	2
2	A00366	MUFFLER COVER	1
3	00381	WASHER-Insulating	1
4	84117	WASHER-Flat	1
5	00387	SPRING-Compression	1
6	00777	DEFLECTOR-Muffler	1
7	04785	SPACER-Muffler	1
8	00388B	SCREEN-Spark Arrestor	1
9	98783	PLATE-Reinforcing	1
10	98781	BODY-Muffler	1
11	00394B	GASKET-Muffler	1
12	81208	NUT-Hex (10-24)	2
D	UP00011	AIR FILTER KIT	1
13	98760	AIR FILTER	1
14	093221	USE 660662001	2
15	04857	FILTER, Foam Air	1
D	985059001	AIR FILTER KIT	1
13	98760	AIR FILTER	1
14	093221	USE 660662001	2

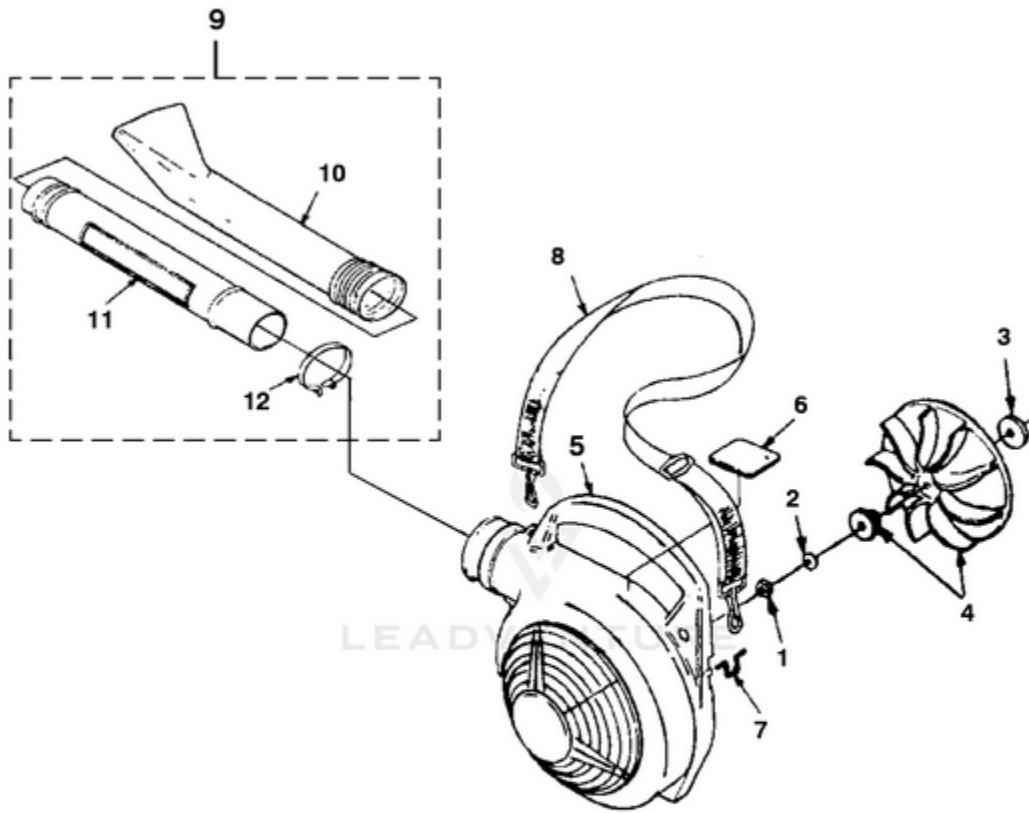


TORQUE SPECIFICATIONS			
Item No.	In/Lbs	Nm	Required Loctite
1	55-60	6.2-6.8	
2	20-30	2.3-3.4	
4	8-12	9-1.4	
11	30-40	3.4-4.5	
13	20-30	2.3-3.4	

Rendered by LeadVenture, Inc.

Ref #	Part #	Description	Qty
1	82538	SCREW-Thread Form. (10-24 X 3/4")	4
2	JA416903	SCREW-Thread Form. (#10 X 1 5/8")	1
E	UP04551A	VOLUTE HOUSING & STARTER	1
3	00374	PLATE-Rotor	1
4	82528	SCREW-Thread Form. (#6 X 1 3/8")	1
5	PS00179	GRIP-Starter (Black)	1
6	969811A	BUSHING-Starter	1
7	00364B	GUIDE-Starter Rope	1
8	A98773A	SPRING & CONTAINER	1
9	98770A	PULLEY-Starter	1
10	98791	BRACKET-Retaining	2
11	82541	SCREW-Thread Form. (#10 X 1/2")	2
12	9789901	ROPE-Starter	1
13	82563	SCREW-Thread Form. (10-24 X 3/4")	6

Bandit 2000 Blower UT-08102 08102-UT Bandit 2000 Blower UT-08102 Bandit 2000 Blower - Volute, Fan & Tubes



TORQUE SPECIFICATIONS			
Item No.	In/Lbs	Nm	Required Loctite
1	130-150	14.7-16.9	

Rendered by LeadVenture, Inc.

Ref #	Part #	Description	Qty
1	81124A	NUT-Hex (3/8-24)	1
2	03163	WASHER-Bellville (3/8")	1
3	03165	WASHER-Flat	2
4	UP06826A	BLOWER FAN KIT	1
5	UP00757A	VOLUTE HOUSING (Outer)	1
6	08483	DECAL-Warning	1
7	00398	LOOP-Wire	1
8	96337C	SHOULDER STRAP	1
9	UP06741A	BLOWER TUBE KIT	1
10	00373A	NOZZLE-Sweeper	1
11	00372B	TUBE	1
12	00433B	CLAMP w/Fasteners	1