

Rendered by LeadVenture, Inc.

Ref #	Part #	Description	Qty
1	650028001	VIBRATION ISOLATOR	3
2	900968001	FOAM PAD	1
3	678108001	SQUARE NUT	2
4	518093001	PUSH CLIP	6
5	660678001	SCREW (1/4-20 x 3/4 in.)	2
6	678110001	FLAT WASHER	4
7	518092001	BLOWER FRAME	1
8	638085001	FRAME BRACKET	1
9	638155001	ISOLATOR BRACKET	1
10	678109001	LOCK WASHER	4
11	678111001	HEX NUT	6
12	678112001	WING NUT	1
13	660629001	SCREW (10-14 x 3/4 in. TORX TRUSS HD.)	2
14	580577001	SWEEPER NOZZLE	1
15	580569001	STRAIGHT TUBE	2
16	760363002	SWITCH	1
17	580567001	HANDLE CONTROL - RT	1
18	580568001	HANDLE CONTROL - LT	1
19	660680001	BOLT	1
20	518090001	TRIGGER LATCH	1
21	518091001	TRIGGER	1
22	940615001	BACKPACKER LABEL	1
23	580565001	ELBOW	1
24	900971001	CARRYING STRAP	2
25	348006003	CLAMP	1
26	580566001	BELLOWS	1
27	348006002	TUBE CLAMP	2
28	580570001	UPPER TUBE	1
29	650031001	CABLE BRACKET	1
30	270020001	HARNESS WIRES & THROTTLE	1
31	638081001	TAB (MALE 250 x 032,)	1
32	900969001	SAFETY STRAP	1
33	900972001	NYLON TIE STRAP	1
	983000595	OPERATOR'S MANUAL (960277008)	
	983000782	OPERATOR'S MANUAL	
	983000595R	REPAIR SHEET	

HOMELITE BACKPACKER II BLOWERS - MODEL NUMBERS UT08072, UT08572 AND UT08572A

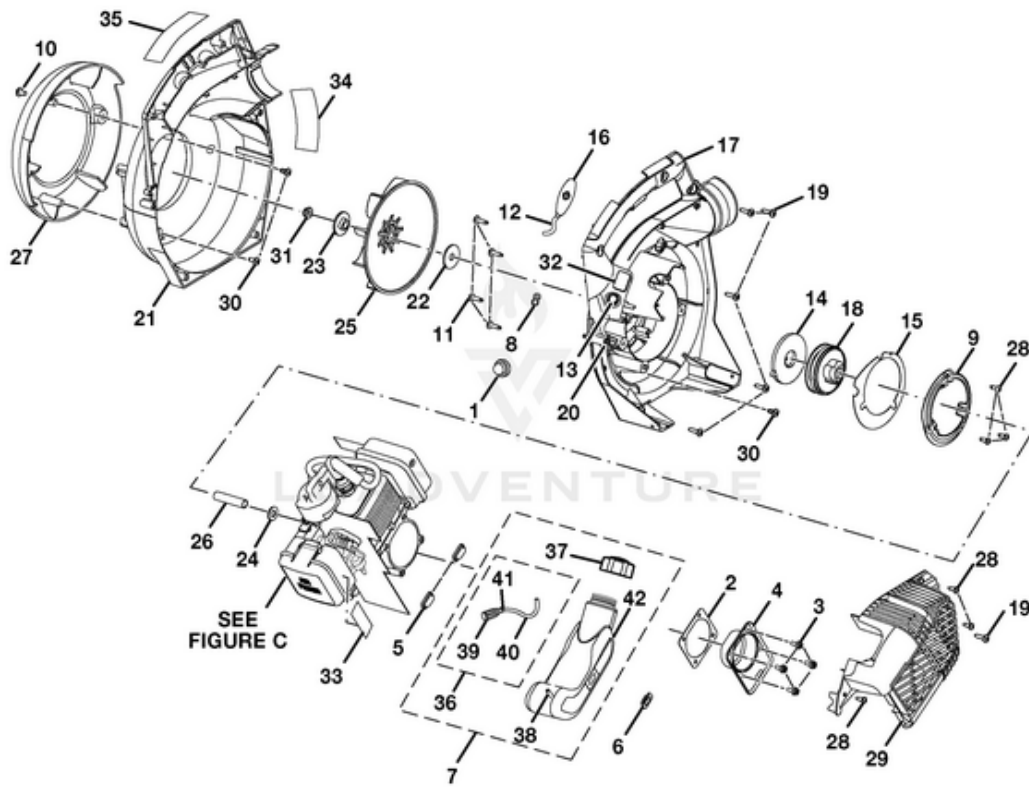


Figure B

Rendered by LeadVenture, Inc.

Ref #	Part #	Description	Qty
1	308088001	PRIMER BULB	1
2	900954001	CRANKCASE GASKET	1
3	660664001	SCREW (10-24 x 9/16 in. PAN HD.)	4
4	638031001	CRANKCASE COVER	1
5	570256001	RUBBER BUMPER	2
6	570549001	BIG BUMPER	1
7	308123004	FUEL TANK ASSEMBLY	1
8	650013001	BUSHING-STARTER ROPE	1
9	638032001	BAFFLE PLATE	1
10	660668001	SCREW (1/4-20 X 3/4)	1
11	660630002	SCREW (10-24 x 3/4 in. TRUSS HD.)	4
12	900849004	STARTER ROPE	1
13	650014001	BUSHING STARTER	1
14	638033001	SPRING & CONTAINER	1
15	900957001	BAFFLE GASKET	1
16	518073001	STARTER GRIP	1
17	518249001	INNER VOLUTE HOUSING	1
18	308134001	PULLEY ASSEMBLY	1
19	660629001	SCREW (10-14 x 3/4 in. TORX TRUSS HD.)	6
20	660667001	SCREW (10 x 1-5/8 in. HEX HD.)	1
21	518250001	OUTER VOLUTE	1
22	650016001	FLAT WASHER	1
23	640858001	FAN ADAPTOR	1
24	650017001	FLAT WASHER	1
25	518077001	FAN	1
26	650018001	FAN SPACER	1
27	518078001	DOOR	1
28	660669001	SCREW (#8 x 1/2 in. PAN HD.)	6
29	518251001	BLOWER SHROUD	1
30	660618001	SCREW (10-24 x 3/4 in. TORX TRUSS HD.)	3
31	660730001	NUT (3/8-24)	1
32	940630007	SWITCH COVER LABEL	1
33	940647001	CHOKE LABEL	1
34	940299493	FAN INTAKE WARNING LABEL	1
35	940642005	WARNING/STARTING LABEL	1
36	308283001	FUEL FILTER KIT	1
37	300758006	FUEL CAP ASSEMBLY	1
38	570259005	RUBBER TUBING (196.85 mm)	1
39	300759003	FUEL FILTER	1
40	570258003	RUBBER TUBING (114.3 mm)	1
41	690765001	WIRE CLAMP	1
42	580553002	FUEL TANK	1

HOMELITE BACKPACKER II BLOWERS - MODEL NUMBERS UT08072, UT08572 AND UT08572A

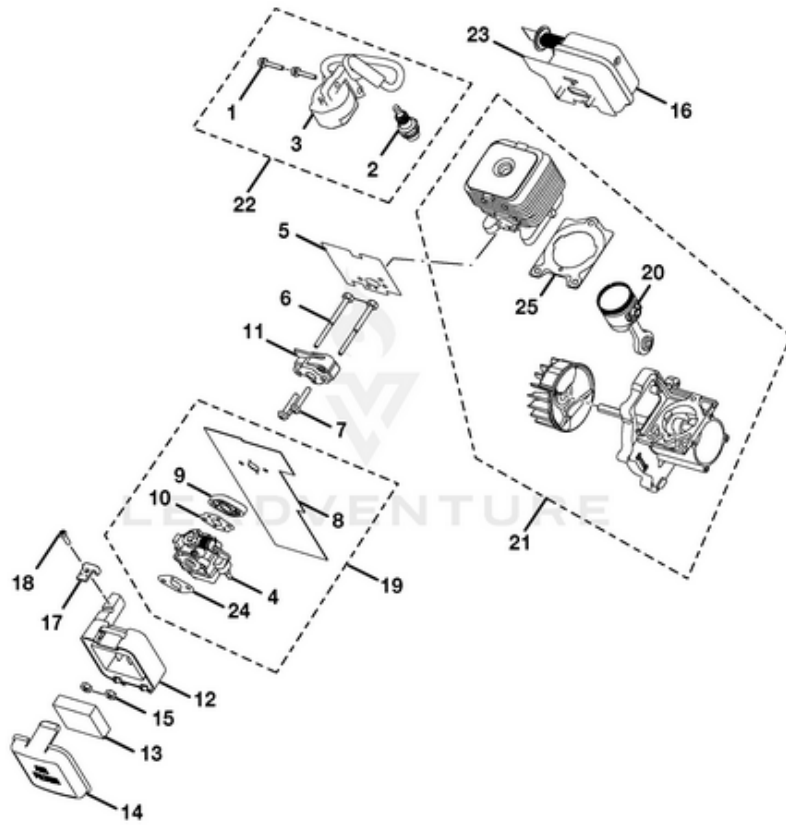


Figure C

Rendered by LeadVenture, Inc.

Ref #	Part #	Description	Qty
1	660660001	SCREW THD FORMING	2
2	870174001	SPARK PLUG CHAMPION - RCJ-6Y	1
3	850080001	IGNITION MODULE	1
4	308028004	CARBURETOR	1
5	900950001	HEAT DAM GASKET	1
6	660346002	CARBURETOR MOUNTING BOLT	2
7	660662001	SCREW (10-24 x 1.11 PAN HD.).	2
8	900951004	CARBURETOR GASKET	1
9	518120001	SPACER	1
10	900711003	Carburetor Gasket	1
11	518087001	HEAT DAM	1
12	518248001	AIR FILTER BOX	1
13	900952001	AIR FILTER	1
14	518072001	AIR FILTER COVER	1
15	678027001	HEX NUT (10-24)	2
16	300748010	MUFFLER	1
17	638133002	THROTTLE CABLE CLIP	1
18	660734001	SCREW-FILTER BOX	1
19	308281001	CARBURETOR KIT	1
20	308119002	PISTON ASSEMBLY KIT	1
21	308099003	SHORT BLOCK ASSEMBLY	1
22	308284001	IGNITION KIT	1
23	990994001	MUFFLER GASKET	1
24	900994004	CARBURETOR GASKET	1
25	900953001	CYLINDER GASKET	1