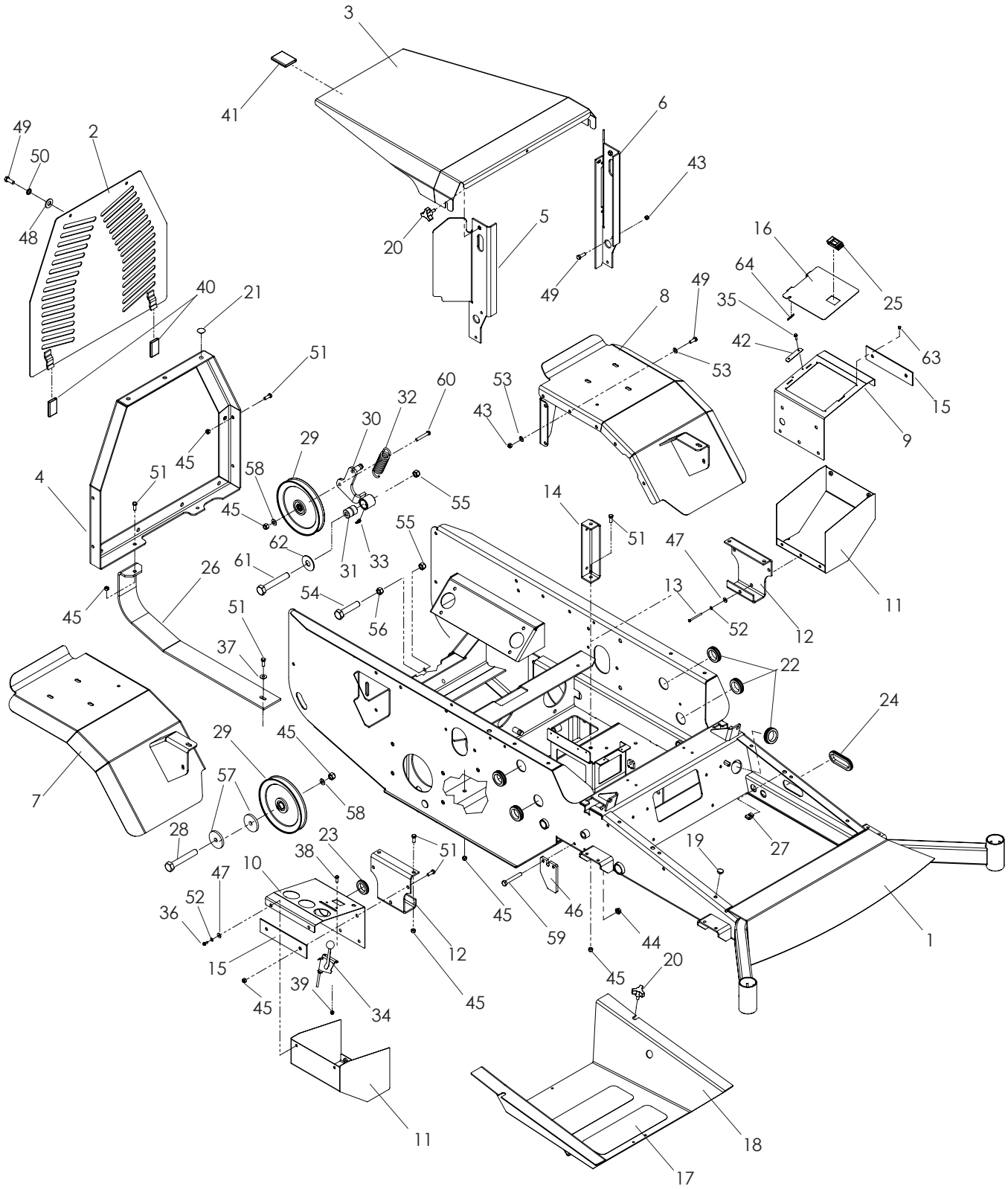


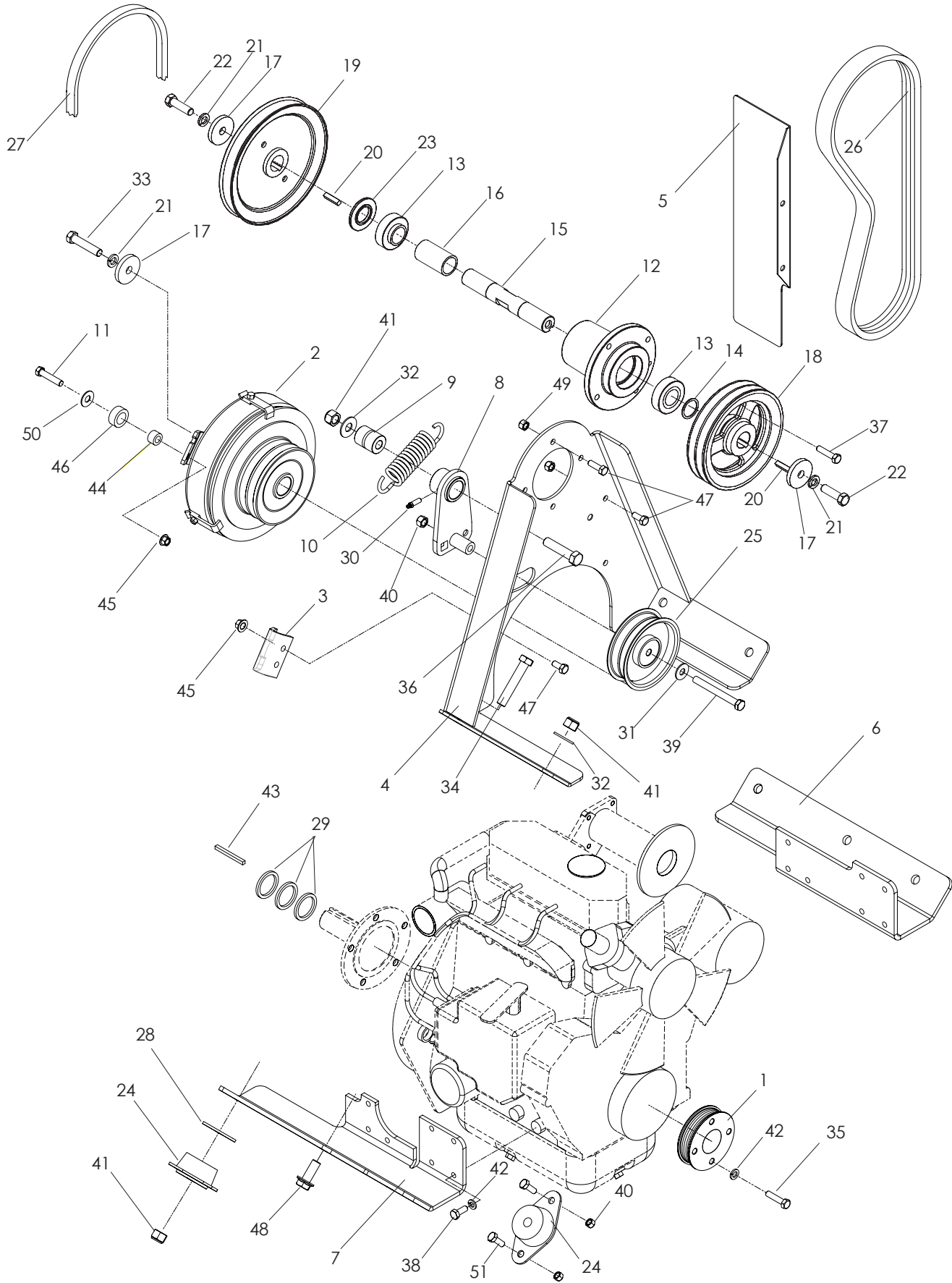
CHASSIS / FRAME



CHASSIS / FRAME

ITEM	PART NO.	QTY.	DESCRIPTION	ITEM	PART NO.	QTY.	DESCRIPTION
1..	539 1109411 FRAME w/DECALS	34..	539 1027321 THROTTLE CABLE
2..	539 1078501 BACK PANEL	35..	539 1106732 SCREW 10-12 x 3/4 THD FRM
3..	539 1078531 HOOD	36..	539 990362	..12 SCREW 1/4-20 x 5/8 THD FRM
4..	539 1078471 REAR FRAME	37..	539 9905172 WASHER 3/8 FLAT STD
5..	539 1064051 SUPPORT, RT	38..	539 9904112 HCS #10-24 x 1/2
6..	539 1064061 SUPPORT, LT	39..	539 9769772 NUT #10-24 HEX NYLOC
7..	539 1072051 FENDER WELDMENT, RT	40..	539 1108502 SLEEVE
8..	539 1072061 FENDER WELDMENT, LT	41..	539 1108512 SLEEVE
9..	539 1109041 CONSOLE TOP	42..	539 1109221 RETAINER
10..	539 1109071 CONTROL PANEL	43..	539 990717	..18 NUT 5/16-18 HEX NYLOC
11..	539 1077762 CONSOLE BOTTOM	44..	539 9905854 NUT 5/16-18 WHIZ
12..	539 1109342 CONSOLE SUPPORT	45..	539 976979	..20 NUT 3/8-16 HEX NYLOC
13..	539 1083912 HCS 1/4-20 x 3	46..	539 1109272 STOP
14..	539 1080552 SUPPORT WELDMENT	47..	539 990598	..14 WASHER 1/4 FLAT
15..	539 1078672 STIFFENER	48..	539 9906922 WASHER 5/16 STD FLT
16..	539 1109201 DOOR-FINISHED	49..	539 990209	..20 HCS 5/16-18 x 1
17..	539 9777783 ABRASIVE PAD	50..	539 9901872 WASHER 5/16 SLOTTED LOCK
18..	539 1047211 FLOOR PAN WELDMENT	51..	539 990563	..18 HCS 3/8-16 x 1
19..	539 1025876 RUBBER STOP	52..	539 990052	..14 WASHER 1/4 SPLIT LOCK
20..	539 1044114 KNOB w/ STUD	53..	539 990188	..28 WASHER 5/16 FLAT SAE
21..	539 107858	..12 GROMMET BUMPER	54..	539 1070261 HCS 1/2-13 x 2 GR8
22..	539 1036847 GROMMET	55..	539 1013312 NUT 1/2-13 HEX NYLOC
23..	539 1076561 GROMMET	56..	539 9902581 NUT 1/2-13 HEX
24..	539 1072101 GROMMET	57..	539 1065042 WASHER HEAVY
25..	539 1109231 LATCH	58..	539 9901222 WASHER 3/8 SAE FLT
26..	539 1063002 SKID PLATE	59..	539 9769384 HCS 5/16-18 x 2 1/4
27..	539 1047632 RETAINER, 5/16-18 U-TYPE	60..	539 9906291 HCS 3/8-16 x 2 1/4
28..	539 9906371 HCS 3/8-18 x 2 1/2	61..	539 1083461 HCS 1/2-13 x 2 1/2
29..	539 1115682 IDLER	62..	539 9905501 WASHER 1/2 FLAT
30..	539 1064181 ARM WLDMT	63..	539 1118232 PLUG
31..	539 1064171 BUSHING	64..	539 1118242 FOAM STRIP
32..	539 1032561 SPRING	NOT SHOWN			
33..	539 1033001 ZERK		539 976856	...6 WIRE TIE

ENGINE

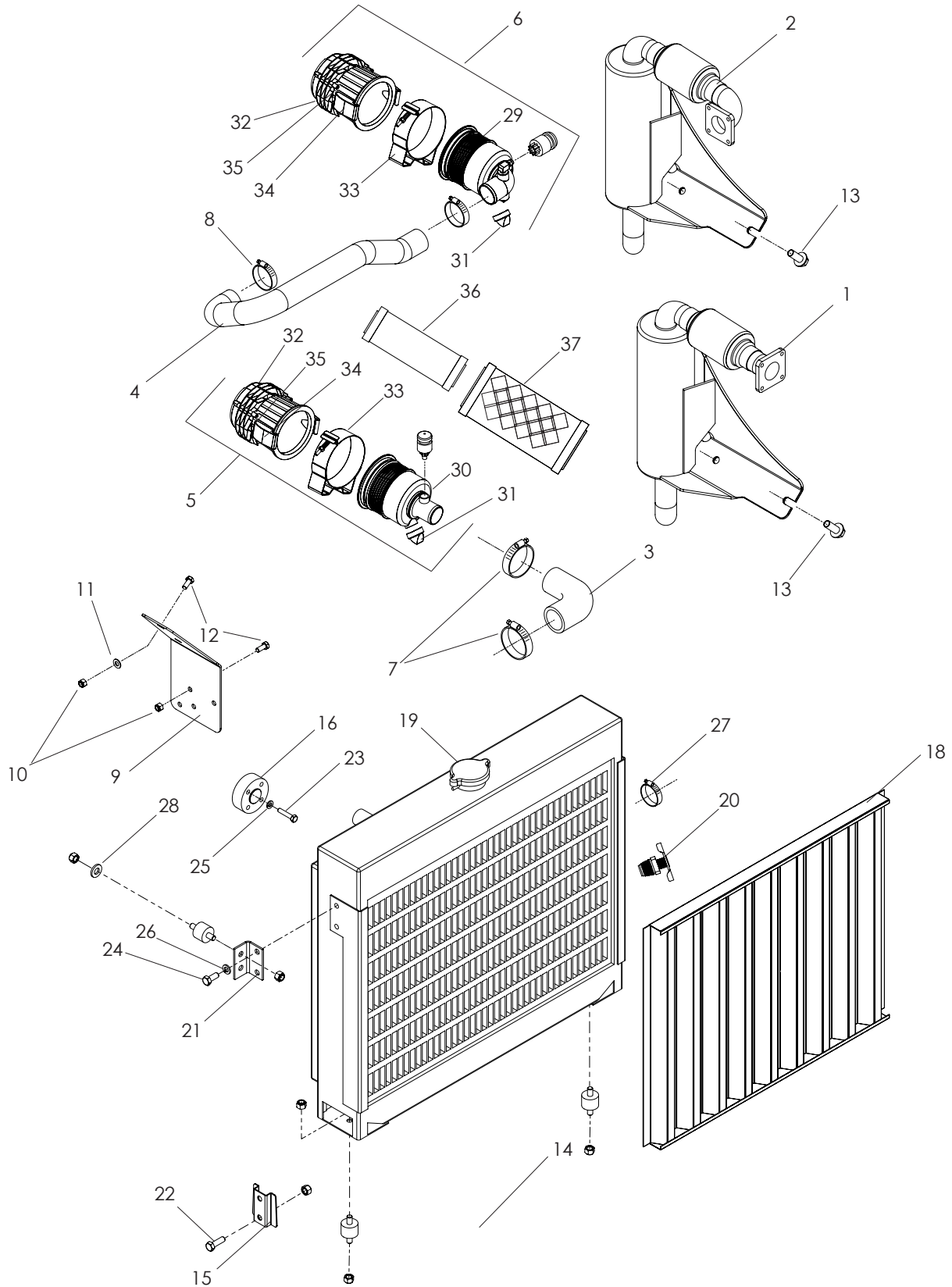


ENGINE

ITEM	PART NO.	QTY.	DESCRIPTION	ITEM	PART NO.	QTY.	DESCRIPTION
1..	539 106335....	1 SHEAVE, ENGINE	27..	539 106339....	1 BELT, MULE
2..	539 110668....	1 CLUTCH	28..	539 111844	5 WASHER, HEAVY
3..	539 110651....	1 RESTRAINT	29..	539 108052....	3 MACHINE BUSHING, 1 ¹ / ₈ x 10
4..	539 106306....	1 JACK MOUNT WLDMT	30..	539 104761....	1 ZERK, LONG
5..	539 107864....	1 HEAT SHIELD	31..	539 990122....	1 WASHER ³ / ₈ SAE FLT
6..	539 107861....	1 ENGINE MOUNT LT	32..	539 990550....	5 WASHER ¹ / ₂ FLAT
7..	539 107862....	1 ENGINE MOUNT RT	33..	539 991120	1 HCS ⁷ / ₁₆ x 2 ¹ / ₂
8..	539 106422....	1 ARM WLDMT	34..	539 101332....	4 HCS ¹ / ₂ -13 x 2 ³ / ₄
9..	539 106417....	1 BUSHING	35..	539 977692....	4 BOLT M8-1.25 x 35mm
10..	539 110655....	1 SPRING	36..	539 108346....	1 HCS ¹ / ₂ -13 x 2 ¹ / ₂
11..	539 990627	1 HCS ⁵ / ₁₆ -18 x 1 ¹ / ₄	37..	539 990209....	4 HCS ⁵ / ₁₆ -18 x 1
12..	539 104852....	1 HOUSING	38..	539 300600..	13 HCS M8-1.25 x 20mm
13..	539 115279....	2 BEARING	39..	539 108271....	1 HCS ³ / ₈ -16 x 3 ¹ / ₂
14..	539 102244....	1 MACHINE BUSHING, 18 GA	40..	539 976979....	9 NUT ³ / ₈ -16 HEX NYLOC
15..	539 106344....	1 SPINDLE	41..	539 101331....	7 NUT ¹ / ₂ -13 HEX NYLOC
16..	539 102676....	1 SPACER	42..	539 990187..	17 WASHER ⁵ / ₁₆ SLOTTED LOCK
17..	539 106504..	13 WASHER, HEAVY	43..	539 917033....	1 KEY ¹ / ₄ SQ x 2 ¹ / ₂
18..	539 106347....	1 SHEAVE	44..	539 110900	1 BUSHING
19..	539 105485....	1 PULLEY	45..	539 990585....	3 NUT ⁵ / ₁₆ -18 WHIZ
20..	539 101995....	2 KEY ¹ / ₄ SQ x 1 ¹ / ₈	46..	539 110901....	1 SLEEVE
21..	539 990247	2 WASHER ⁷ / ₁₆ SPLT LOCK	47..	539 976934....	8 HCS ⁵ / ₁₆ -18 x ³ / ₄
22..	539 100141....	2 HCS ⁷ / ₁₆ -20 x 1 ¹ / ₂	48..	539 990622....	2 BOLT ¹ / ₂ -13 x 1 ¹ / ₄ WHIZLK
23..	539 107272....	1 COMBO SPACER	49..	539 990717....	8 NUT ⁵ / ₁₆ -18 HEX NYLOC
24..	539 106291....	4 ISO MOUNT (ENGINE)	50..	539 990692....	1 WASHER ⁵ / ₁₆ STD FLT
25..	539 111567	1 IDLER	51..	539 990563....	4 HCS ³ / ₈ -16 x 1
26..	539 111582	1 BELT, PRIMARY				

ENGINE

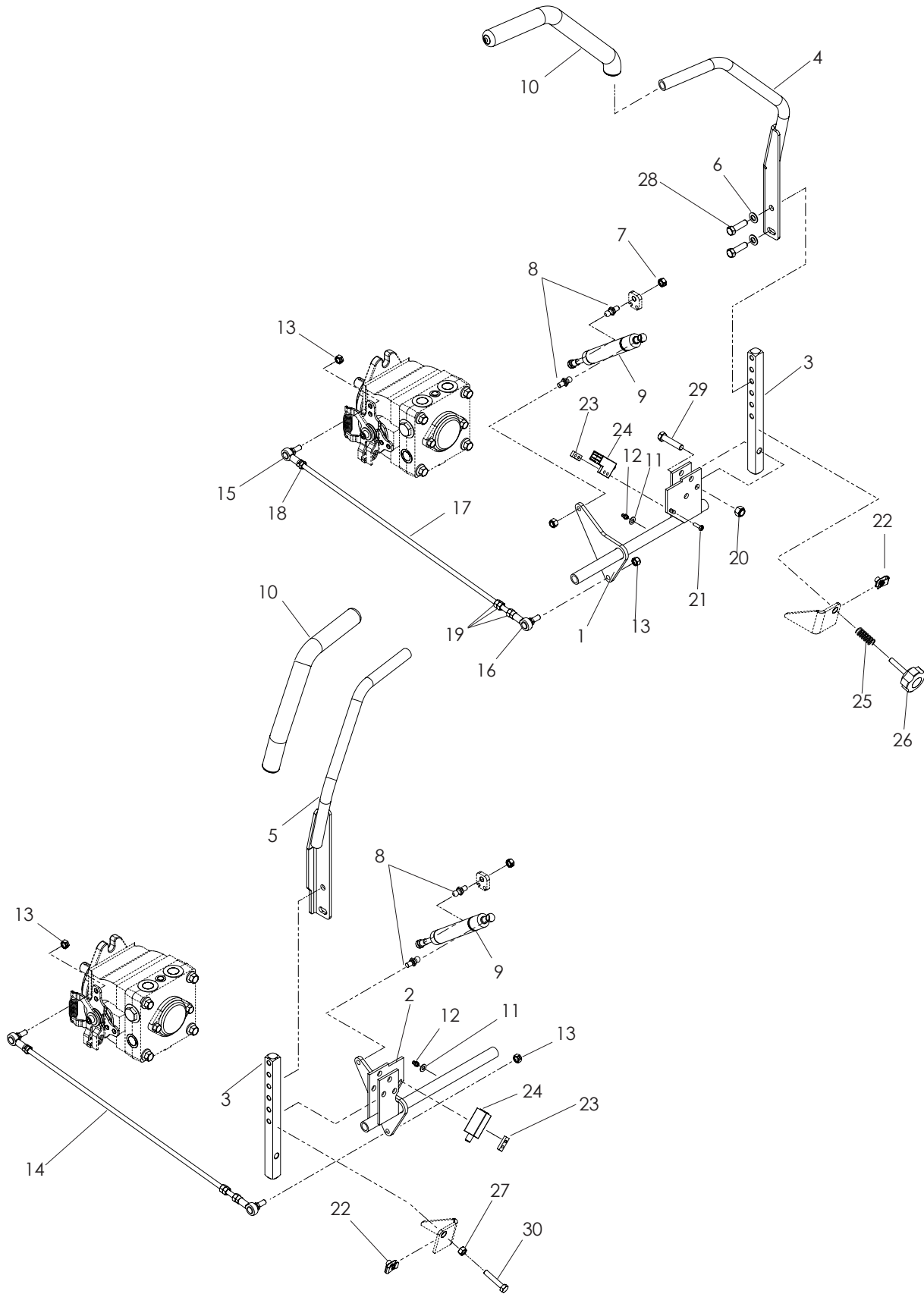
MUFFLER, AIR FILTER, RADIATOR



ENGINE

ITEM	PART NO.	QTY.	DESCRIPTION	ITEM	PART NO.	QTY.	DESCRIPTION
1..	539 1118341	MUFFLER BZ7234D / BZ7234D BF	18..	539 1063181	DEBRIS SHIELD
2..	539 1118351	MUFFLER BZ6127D / BZ6127D BF	19..	539 1063201	CAP
3..	539 1063811	AIR FILTER HOSE BZ7234D / BZ7234D BF	20..	539 1063222	DRAIN
4..	539 1078601	AIR FILTER HOSE BZ6127D / BZ6127D BF	21..	539 1062972	BRACKET, ISO
5..	539 1063151	AIR FILTER ASSEMBLY BZ7234D / BZ7234D BF	22..	539 9902091	HCS $\frac{5}{16}$ -18 x 1
6..	539 1063761	AIR FILTER ASSEMBLY BZ6127D / BZ6127D BF	23..	539 3005994	HCS M6- 1 x 40mm GR8.8 BZ7234D / BZ7234D BF
7..	539 1063832	CLAMP BZ7234D / BZ7234D BF		539 1063074	HCS M6- 1 x 30mm GR8.8 BZ6127D / BZ6127D BF
8..	539 1063842	CLAMP BZ6127D / BZ6127D BF	24..	539 9769342	HCS $\frac{5}{16}$ -18 x $\frac{3}{4}$
9..	539 1078411	BRACKET, AIR FILTER	25..	539 9900524	WASHER $\frac{1}{4}$ SPLIT LOCK
10..	539 9907178	NUT $\frac{5}{16}$ -18 HEX NYLOC	26..	539 9901872	WASHER $\frac{5}{16}$ SLOTTED LOCK
11..	539 9906923	WASHER $\frac{5}{16}$ STD FLT	27..	539 1063214	CLAMP, HOSE
12..	539 9769348	HCS $\frac{5}{16}$ -18 x $\frac{3}{4}$	28..	539 9901882	WASHER $\frac{5}{16}$ FLAT SAE
13..	539 9906222	BOLT $\frac{1}{2}$ -13 x 1 $\frac{1}{4}$ WHIZLK	29..	539 1084701	AIR FILTER ASSM, UPPER BZ6127D / BZ6127D BF
14..	539 1063104	ISOLATOR	30..	539 1084711	AIR FILTER ASSM, UPPER BZ7234D / BZ7234D BF
15..	539 1078551	BRACKET, MOUNTING	31..	539 1084721	DRAIN
16..	539 1079951	SPACER, FAN BZ7234D / BZ7234D BF	32..	539 1084731	AIR FLTR ASSM, LOWER
	539 1063081	SPACER, FAN BZ6127D / BZ6127D BF	33..	539 1084741	BRACKET, MOUNTING
17..	539 1063191	RADIATOR ASSEMBLY BZ7234D / BZ7234D BF Includes Radiator/Shroud Plus Parts 18-21	34..	539 1084751	CLAMP
	539 1063141	RADIATOR ASSEMBLY BZ6127D / BZ6127D BF Includes Radiator/Shroud Plus Parts 18-21	35..	539 1084761	HINGE
				36..	539 1063771	ELEMENT, SAFETY
				37..	539 1063131	FILTER, AIR
				NOT SHOWN			
					539 1063261	LOWER HOSE
					539 1063251	UPPER HOSE

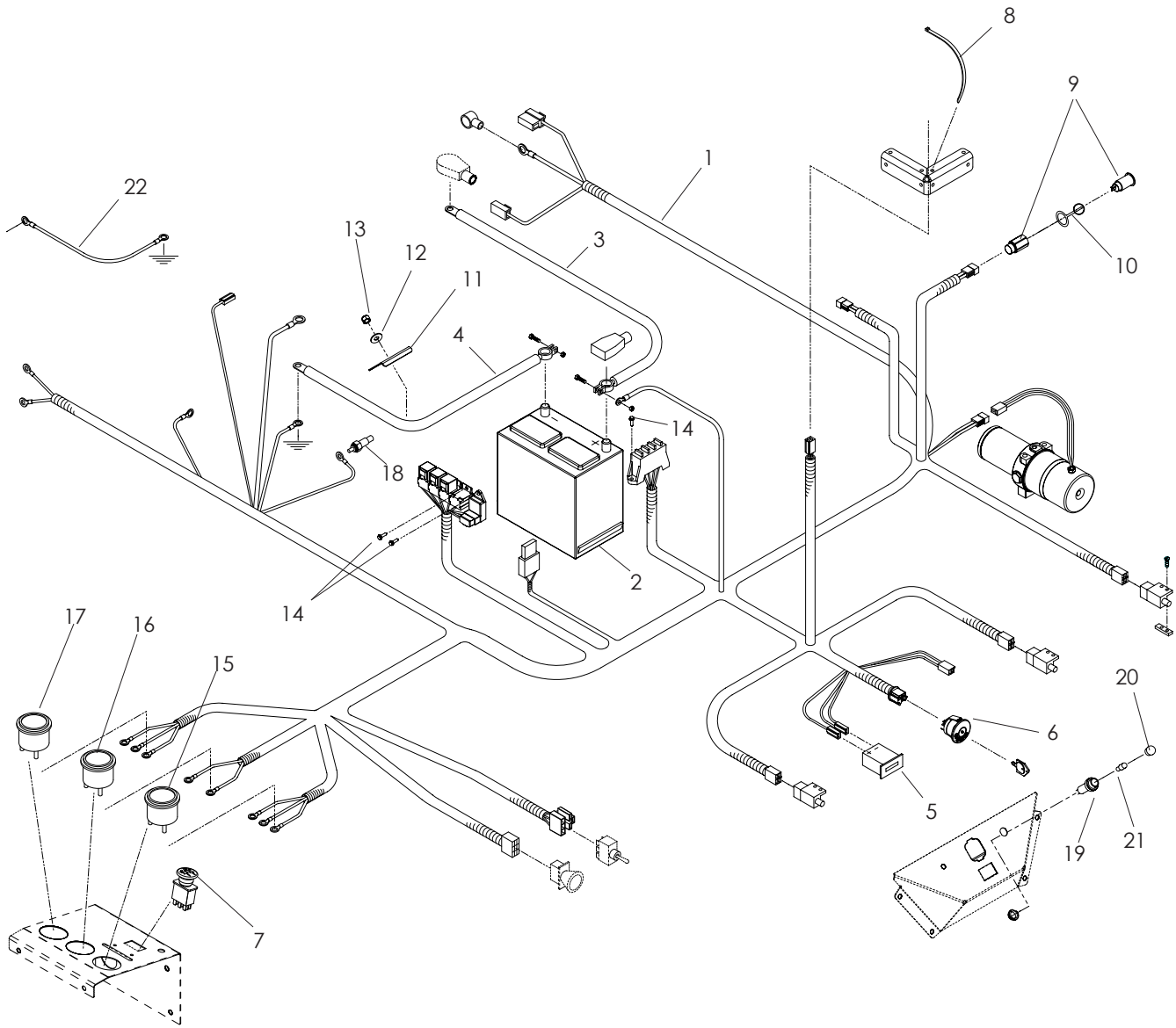
STEERING



STEERING

ITEM	PART NO.	QTY.	DESCRIPTION	ITEM	PART NO.	QTY.	DESCRIPTION
1..	539 1108971 CONTROL, LT	16..	539 1106032 SPHERICAL ROD END RH
2..	539 1108981 CONTROL, RT	17..	539 1108962 LINK
3..	539 1106382 ARM, CONTROL SHAFT	18..	539 9910732 NUT ⁵ / ₁₆ -24 HEX JAM LH
4..	539 1108271 DRIVE LEVER, LT	19..	539 9902236 NUT ⁵ / ₁₆ -24 HEX
5..	539 1108261 DRIVE LEVER, RT	20..	539 9769796 NUT ³ / ₈ -16 HEX NYLOC
6..	539 1025934 WASHER ³ / ₈ SPRING	21..	539 9769524 SCREW #10-24 x .625
7..	539 9901844 NUT ⁵ / ₁₆ -18 HEX CTRLK	22..	539 1047632 RETAINER, ⁵ / ₁₆ -18 U-TYPE
8..	539 1106074 BALL STUD	23..	539 1026782 TAPPED PLATE
9..	539 1319322 DAMPENER	24..	539 1062692 SWITCH
10..	539 1025922 GRIP	25..	539 1110391 SPRING
11..	539 1035472 WASHER	26..	539 1030031 TRACKING KNOB
12..	539 9769982 ZERK	27..	539 9901961 NUT ⁵ / ₁₆ -18 HEX
13..	539 1109432 NUT ⁵ / ₁₆ -24 NYLOC	28..	539 9905634 HCS ³ / ₈ -16 x 1
14..	539 1109392 LINK ASM	29..	539 9907306 HCS ³ / ₈ -16 x 1 ³ / ₄
15..	539 1106042 SPHERICAL ROD END LH	30..	539 1083941 HCS ⁵ / ₁₆ -18 x 1 ³ / ₄ TPBLT

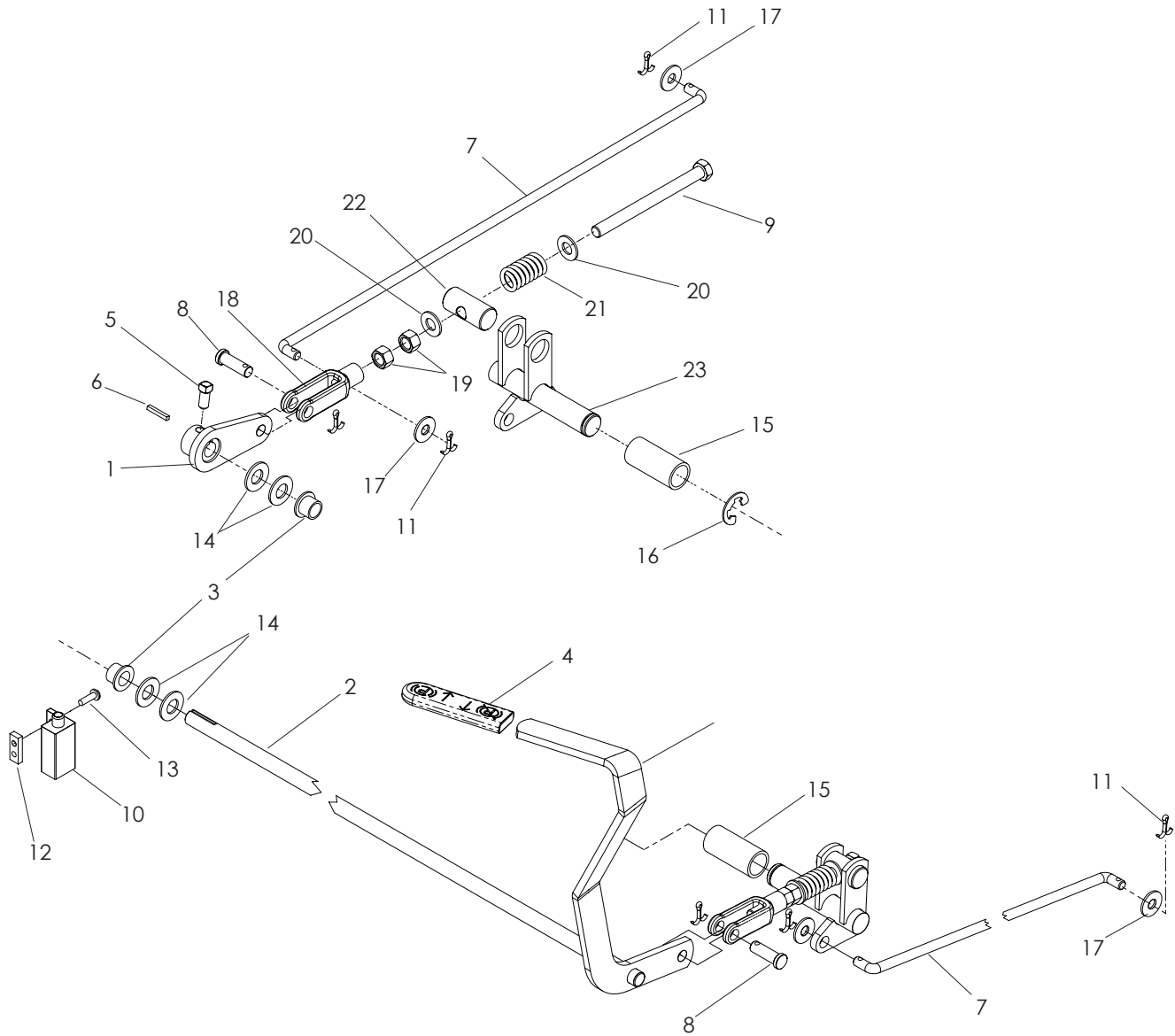
IGNITION SYSTEM



IGNITION SYSTEM

ITEM	PART NO.	QTY.	DESCRIPTION	ITEM	PART NO.	QTY.	DESCRIPTION
1..	539 110915....	1	HARNES	12..	539 990692....	1	WASHER ⁵ / ₁₆ STD FLT
2..	539 102423....	1	BATTERY	13..	539 990717....	1	NUT ⁵ / ₁₆ -18 HEX NYLOC
3..	539 107941....	1	CABLE, POSITIVE	14..	539 110673....	5	SCREW 10-12 x ³ / ₄ THD FRM
4..	539 107942....	1	CABLE, NEGATIVE	15..	539 105246....	1	GAUGE, TEMP
5..	539 110074....	1	HOUR METER	16..	539 106388....	1	GAUGE, AMPERES
6..	539 107541....	1	IGNITION SWITCH	17..	539 106387....	1	GAUGE, OIL PRESSURE
7..	539 131627....	1	SWITCH, 10 AMP PTO	18..	539 106386....	1	SENDER, TEMPERATURE
8..	539 976856....	1	WIRE TIE	19..	539 107920....	1	LAMP SOCKET
9..	539 107856....	1	HOUSING, POWER SOURCE	20..	539 108174....	1	LENS
10..	539 107857....	1	CAP, POWER SOURCE	21..	539 108175....	1	LAMP
11..	539 107755....	1	CLAMP	22..	539 109346....	1	GROUND WIRE

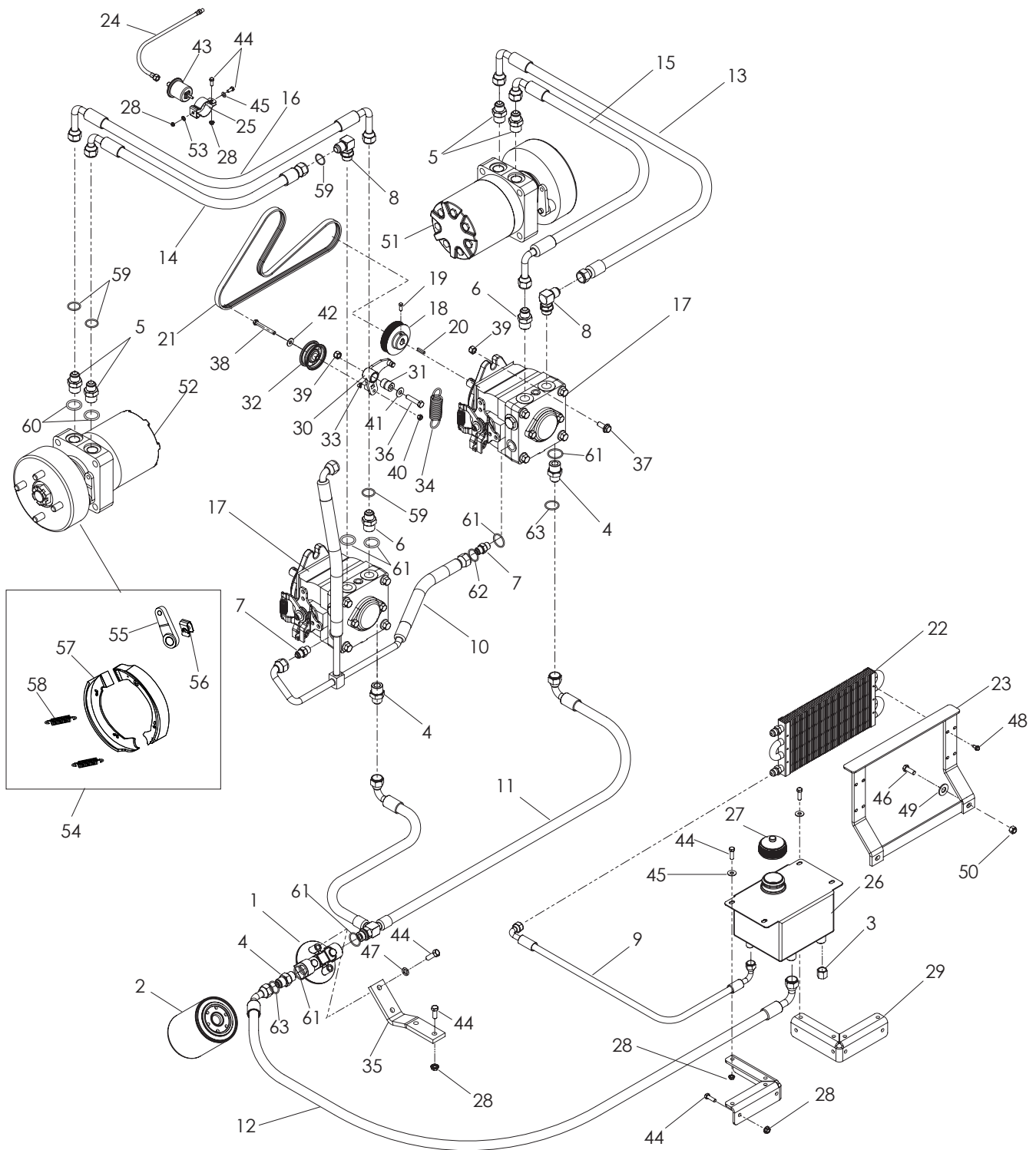
PARKING BRAKE



PARKING BRAKE

ITEM	PART NO.	QTY.	DESCRIPTION	ITEM	PART NO.	QTY.	DESCRIPTION
1..	539 106523....	1 BRAKE ARM WLDMT	13..	539 976952....	2 SCREW #10-24 x .625
2..	539 106526....	1 BRAKE LEVER WLDMT	14..	539 102843....	4 WASHER, SPRING DISC ⁷ / ₁₆
3..	539 102519....	2 BRONZE BUSHING	15..	539 105044....	2 BRONZE BEARING
4..	539 105036....	1 GRIP, PARK BRAKE	16..	539 102454....	2 E-RING, ³ / ₄
5..	539 102717....	1 SCREW ⁵ / ₁₆ -18 x ⁵ / ₈ SQ HD	17..	539 990692....	4 WASHER ⁵ / ₁₆ STD FLT
6..	539 106528....	1 KEY ¹ / ₈ SQ x ⁷ / ₈	18..	539 977465....	1 YOKE
7..	539 107838....	2 BRAKE LINKAGE BAR	19..	539 990155....	2 NUT ³ / ₈ -24
8..	539 977703....	2 CLEVIS PIN	20..	539 990122....	2 WASHER ³ / ₈ SAE FLT
9..	539 104984....	1 HCS ³ / ₈ -24 SPECIAL	21..	539 104986....	1 SPRING
10..	539 106269....	1 SWITCH	22..	539 102821....	1 TRUNION PIN
11..	539 990365....	6 PIN, COTTER ¹ / ₈ x ³ / ₄	23..	539 105040....	1 BELLCRANK
12..	539 102678....	1 TAPPED PLATE				

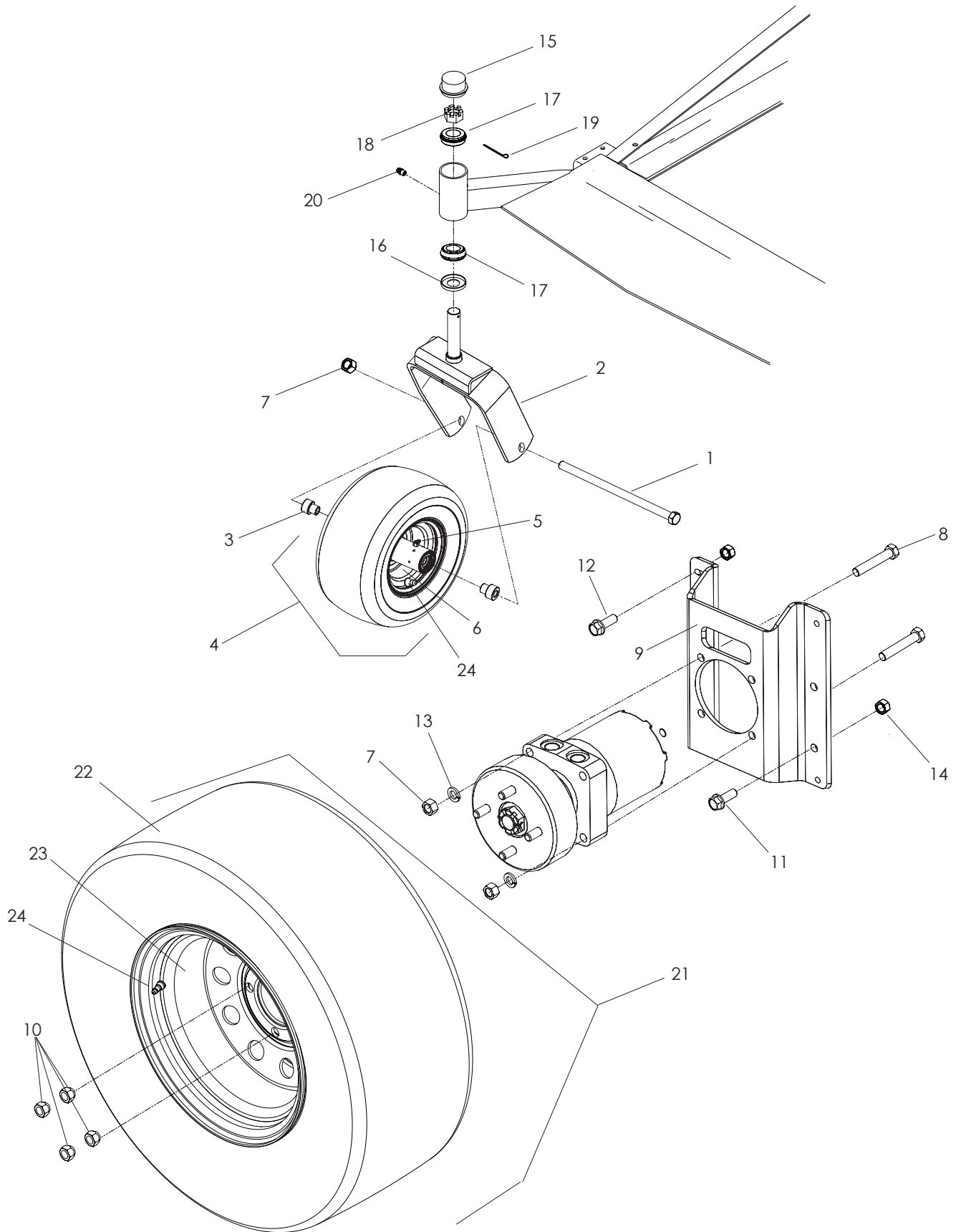
HYDRAULIC PUMP-MOTOR



HYDRAULIC PUMP-MOTOR

ITEM	PART NO.	QTY.	DESCRIPTION	ITEM	PART NO.	QTY.	DESCRIPTION
1..	539 105892....	1 FILTER HEAD	33..	539 912758....	1 ZERK 90° ¼-28
2..	539 105893....	1 FILTER	34..	539 102666....	1 SPRING
3..	539 105168....	1 CAP NUT	35..	539 106290....	1 MOUNT, FILTER
4..	539 101237....	3 STRAIGHT CONNECTOR	36..	539 108346....	1 HCS ½-13 x 2½
5..	539 106357....	4 FITTING	37..	539 990622....	4 BOLT ½-13 x 1¼ WHIZLK
6..	539 106358....	2 FITTING	38..	539 101341....	1 HCS ¾-16 x 3
7..	539 106359....	2 FITTING	39..	539 101331....	3 NUT ½-13 HEX NYLOC
8..	539 106370....	2 FITTING	40..	539 976979....	1 NUT ¾-16 HEX NYLOC
9..	539 106360....	1 HOSE	41..	539 990550....	1 WASHER ½ FLAT
10..	539 110930....	1 HOSE, T	42..	539 990122....	1 WASHER ¾ SAE FLT
11..	539 106362....	1 HOSE, T	43..	539 106382....	1 SENDER, OIL PRESSURE
12..	539 106363....	1 HOSE	44..	539 990580....	14 HCS ¼-20 x ¾
13..	539 106364....	1 HOSE	45..	539 990598....	5 WASHER ¼ FLAT
14..	539 106365....	1 HOSE	46..	539 990209....	2 HCS ⅝-18 x 1
15..	539 106366....	1 HOSE	47..	539 990052....	2 WASHER ¼ SPLIT LOCK
16..	539 106367....	1 HOSE	48..	539 110673....	4 SCREW 10-12 x ¾ THD FRM
17..	539 110910....	2 PUMP	49..	539 990692....	2 WASHER ⅝ STD FLT
18..	539 106334....	2 SHEAVE, PUMP	50..	539 990717....	2 NUT ⅝-18 HEX NYLOC
19..	539 102716....	4 SCREW ⅝-18 x 1	51..	539 106266....	1 WHEEL MTR ASM, LT
20..	539 109178....	2 KEY 5mm SQ x 36mm	52..	539 106267....	1 WHEEL MTR ASM, RT
21..	539 106341....	1 BELT, PUMP	53..	539 109347....	1 WASHER ¼ EXTLK STAR
22..	539 106356....	1 COOLER	54..	539 111806....	1 SHOE, COMPLETE W/BACKING PLATE
23..	539 107810....	1 MOUNT, COOLER	55..	539 108525....	1 LEVER
24..	539 108053....	1 HOSE	56..	539 108526....	1 CLIP
25..	539 107844....	1 CLAMP, OIL SENDER	57..	539 108524....	2 SHOE ASSEMBLY
26..	539 105891....	1 RESERVOIR	58..	539 108523....	2 RETURN SPRING
27..	539 101202....	1 CAP, RESERVOIR	59..	539 108983....	8 O RING
28..	539 108735....	12 NUT ¼-20 WHIZLK	60..	539 103114....	4 O RING
29..	539 110912....	2 SUPPORT	61..	539 103115....	6 O RING
30..	539 106425....	1 ARM WLDMT	62..	539 103118....	2 O RING
31..	539 106417....	1 BUSHING	63..	539 103119....	3 O RING
32..	539 919078....	1 PULLEY, IDLER				

WHEELS AND TIRES

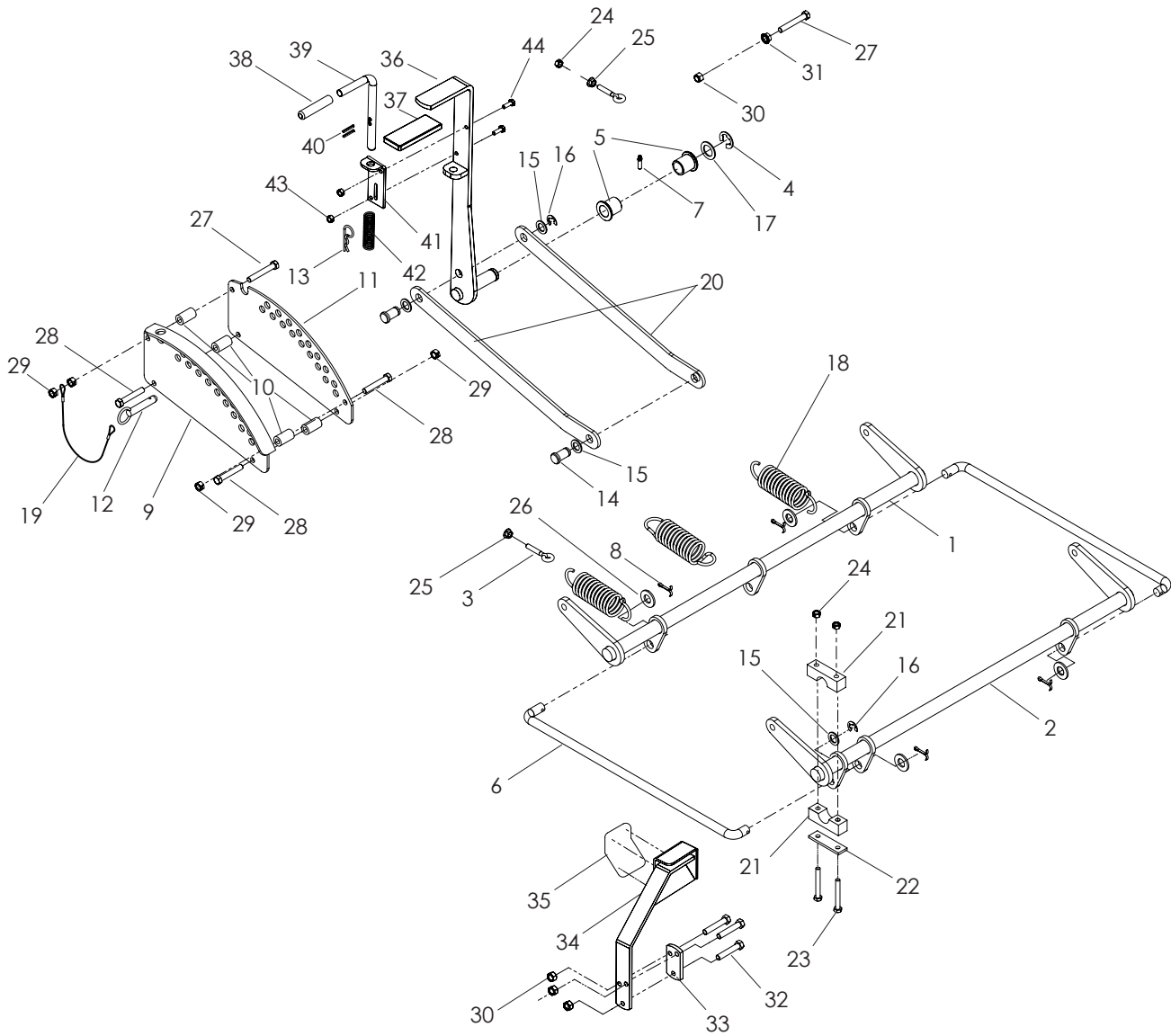


WHEELS AND TIRES

ITEM	PART NO.	QTY.	DESCRIPTION	ITEM	PART NO.	QTY.	DESCRIPTION
1..	539 105517....	1	HCS ½-13 x 9½	13..	539 990517....	8	WASHER ¾ FLAT STD
2..	539 105982....	1	YOKE, CASTER	14..	539 976979....	8	NUT ¾-16 HEX NYLOC
3..	539 105518....	2	SPACER, AXLE	15..	539 102535....	2	GREASE CAP
4..	539 105521....	1	WHEEL ASSEMBLY, CASTER	16..	539 102851....	2	SEAL
5..	539 103300....	2	ZERK	17..	539 102543....	4	BEARING
6..	539 105523....	2	RIM	18..	539 102852....	2	SLOTTED JAM NUT 1-14
7..	539 101331..	10	NUT ½-13 HEX NYLOC	19..	539 102889....	2	COTTER PIN 1/8 x 2
8..	539 108346....	8	HCS ½-13 x 2½	20..	539 101474....	2	ZERK
9..	539 114665....	2	STANDOFF, WHEEL MOTOR	21..	539 107713....	2	WHEEL ASSEMBLY, REAR
10..	539 101173....	8	LUG NUT ½"	22..	539 107715....	2	TIRE
11..	539 990622....	8	BOLT ½-13 x 1¼ WHIZLK	23..	539 105487....	2	RIM
12..	539 976941....	8	HCS ¾-16 x 1¼	24..	539 912234....	4	AIR VALVE

MOWER LIFT / DECK LIFT

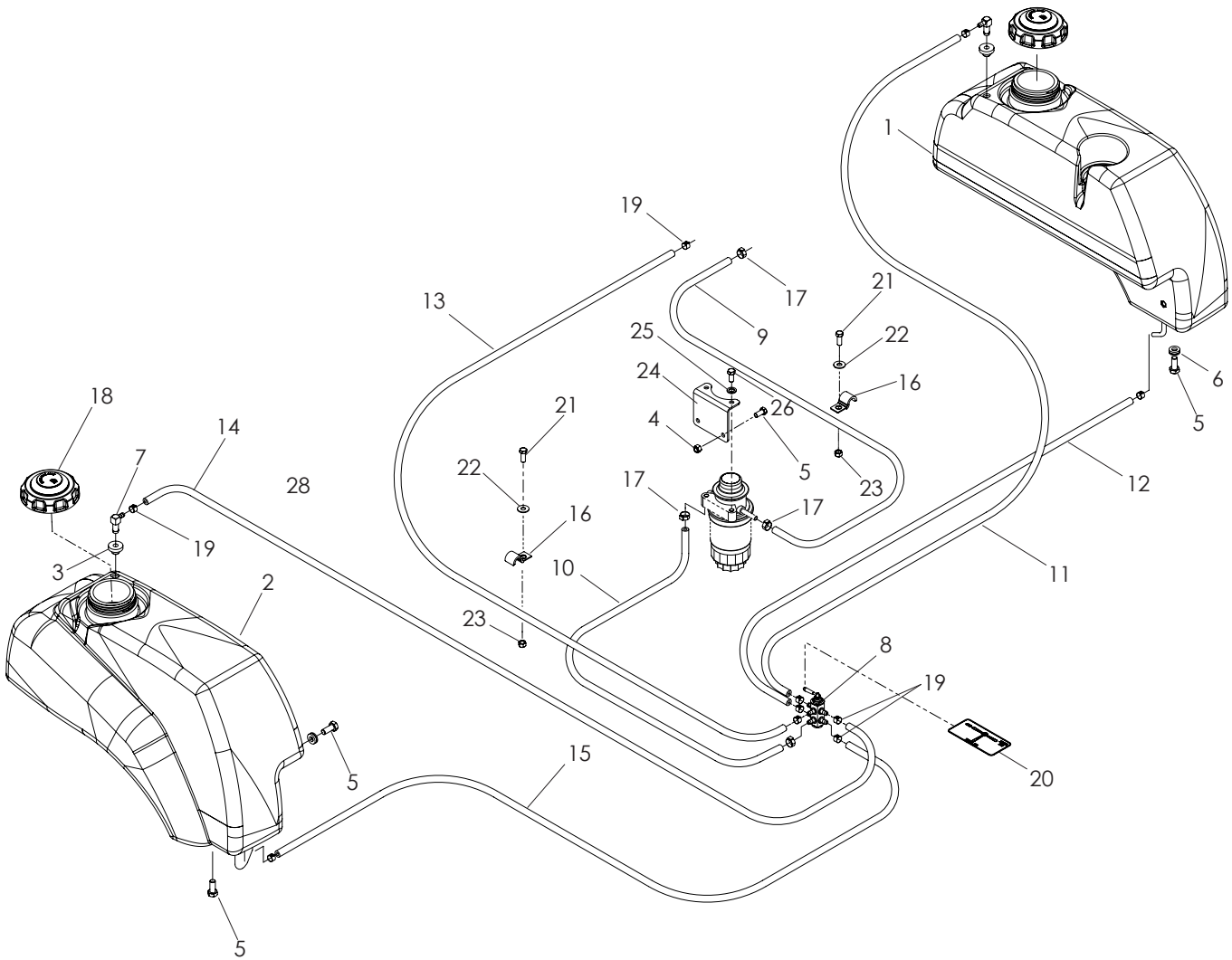
BZ6127D



MOWER LIFT / DECK LIFT

ITEM	PART NO.	QTY.	DESCRIPTION	ITEM	PART NO.	QTY.	DESCRIPTION
1..	539 108354....	1	LIFT SHAFT ASSEM, REAR	23..	539 991046....	8	HCS $\frac{5}{16}$ -18 x 2 $\frac{1}{2}$
2..	539 108355....	1	LIFT SHAFT ASM, FRONT	24..	539 990184..	11	NUT $\frac{5}{16}$ -18 HEX CTRLK
3..	539 101982....	3	EYEBOLT	25..	539 990585....	3	NUT $\frac{5}{16}$ -18 WHIZ
4..	539 101802....	1	E-RING .875	26..	539 976982....	4	WASHER $\frac{5}{8}$ SAE FLAT
5..	539 101232....	2	BUSHING, FLANGED	27..	539 990637....	2	HCS $\frac{3}{8}$ -18 x 2 $\frac{1}{2}$
6..	539 104310....	2	CONNECTING LINK	28..	539 990629....	3	HCS $\frac{3}{8}$ -16 x 2 $\frac{1}{4}$
7..	539 104761....	1	ZERK, LONG	29..	539 990546....	5	NUT $\frac{3}{8}$ -16 HEX CTRLK
8..	539 990654....	4	COTTER PIN $\frac{5}{32}$ x 1 $\frac{1}{4}$	30..	539 976979....	4	NUT $\frac{3}{8}$ -16 HEX NYLOC
9..	539 104321....	1	ADJUSTMENT PLATE	31..	539 990613....	1	NUT $\frac{3}{8}$ -16 HEX WHIZLK
10..	539 104530....	4	SPACER	32..	539 990655....	3	HCS $\frac{3}{8}$ -16 x 1 $\frac{1}{2}$
11..	539 104323....	1	ADJUSTMENT PLATE	33..	539 105184....	1	PLATE, TIGHTENING
12..	539 102526....	1	LIFT PIN	34..	539 105181....	1	LIFT PEDAL
13..	539 976989....	1	HAIRPIN	35..	539 105187....	1	PAD, ANTI-SKID
14..	539 105060....	2	CLEVIS PIN	36..	539 108322....	1	LIFT LEVER WLDMT
15..	539 991043....	4	BUSHING, .625 MACHINE	37..	539 102515....	1	HANDLE CUSHION
16..	539 105069....	2	E-RING .625	38..	539 101050....	1	VINYL GRIP
17..	539 923787....	1	BUSHING, .875 MACHINE	39..	539 104523....	1	L PIN $\frac{1}{2}$ x 6 $\frac{1}{2}$
18..	539 104760....	3	SPRING, EXTENSION	40..	539 106532....	2	PIN, GROOVED
19..	539 105059....	1	LANYARD	41..	539 103534....	1	PIN MOUNT, UPPER
20..	539 105050....	2	LIFT LINKAGE	42..	539 101058....	1	SPRING, COMPRESSION
21..	539 104808....	8	PILLOW BLOCK	43..	539 990761....	2	NUT $\frac{1}{4}$ -20 HEX CTRLK
22..	539 104807....	4	REINFORCEMENT BAR	44..	539 990580	2	HCS $\frac{1}{4}$ -20 x $\frac{3}{4}$

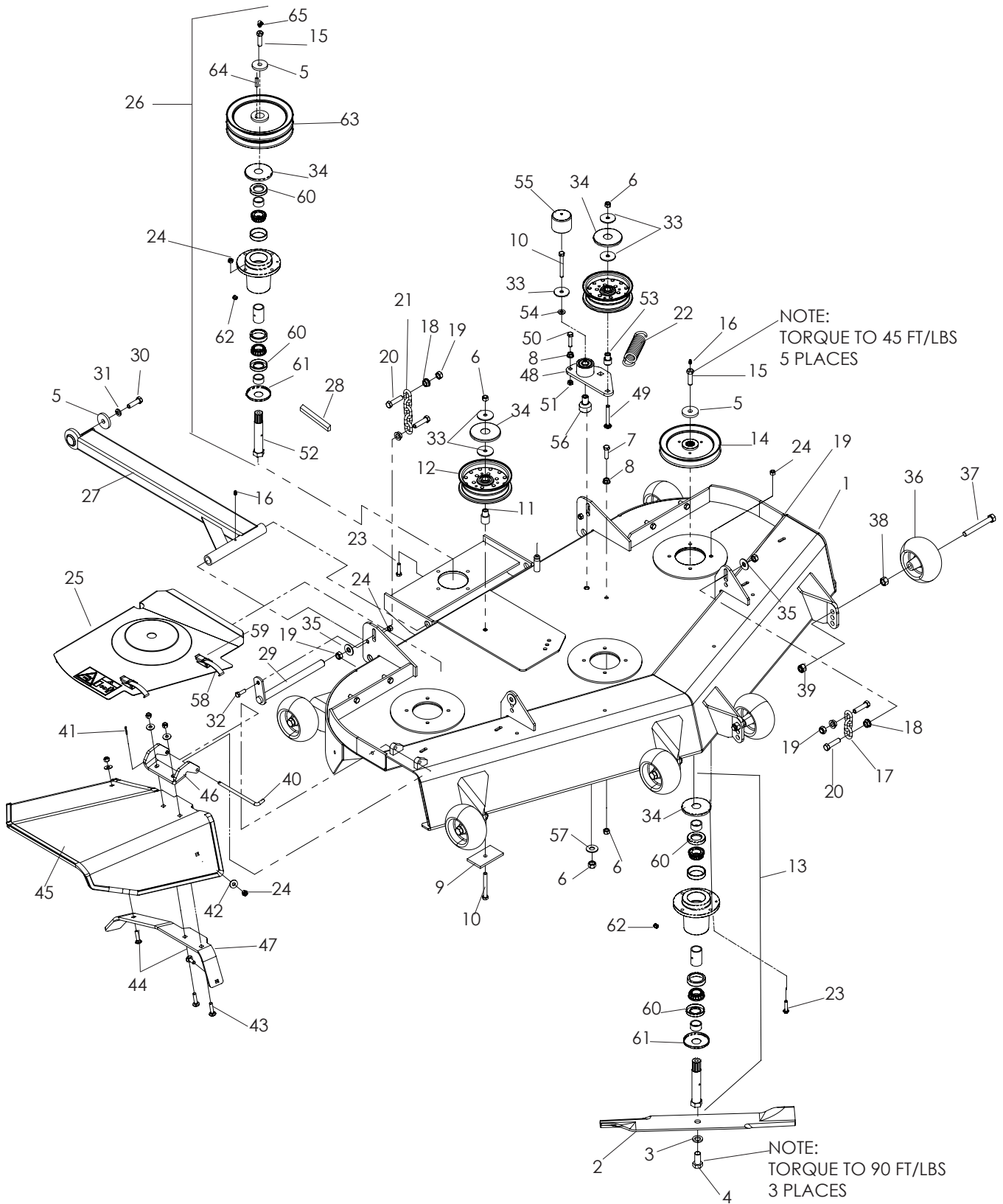
FUEL SYSTEM



FUEL SYSTEM

ITEM	PART NO.	QTY.	DESCRIPTION	ITEM	PART NO.	QTY.	DESCRIPTION
1..	539 105329....	1	FUEL TANK, LT	14..	539 108211....	1	FUEL LINE
2..	539 105330....	1	FUEL TANK, RT	15..	539 108212....	1	FUEL LINE
3..	539 105245....	2	GROMMET	16..	539 107863....	2	CLIP
4..	539 990717....	2	NUT ⁵ / ₁₆ -18 HEX NYLOC	17..	539 105529....	4	CLAMP
5..	539 976934..	12	HCS ⁵ / ₁₆ -18 x ³ / ₄	18..	539 106330....	2	CAP, DIESEL FUEL
6..	539 101704..	10	WASHER ⁵ / ₁₆ SEALING	19..	539 912222..	10	CLAMP, HOSE
7..	539 105244....	2	ELBOW	20..	539 105334....	1	DECAL, FUEL VALVE
8..	539 105331....	1	FUEL VALVE	21..	539 990580....	2	HCS ¹ / ₄ -20 x ³ / ₄
9..	539 108206....	1	FUEL LINE	22..	539 990598....	2	WASHER ¹ / ₄ FLAT STD
10..	539 108207....	1	FUEL LINE	23..	539 976978....	2	NUT ¹ / ₄ -20 HEX NYLOC
11..	539 108208....	1	FUEL LINE	24..	539 107840....	1	BRACKET, MOUNTING
12..	539 108209....	1	FUEL LINE	25..	539 990187....	2	WASHER ⁵ / ₁₆ SLOTTED LOCK
13..	539 108210....	1	FUEL LINE	26..	539 300600....	2	HCS M8-1.25 x 20mm

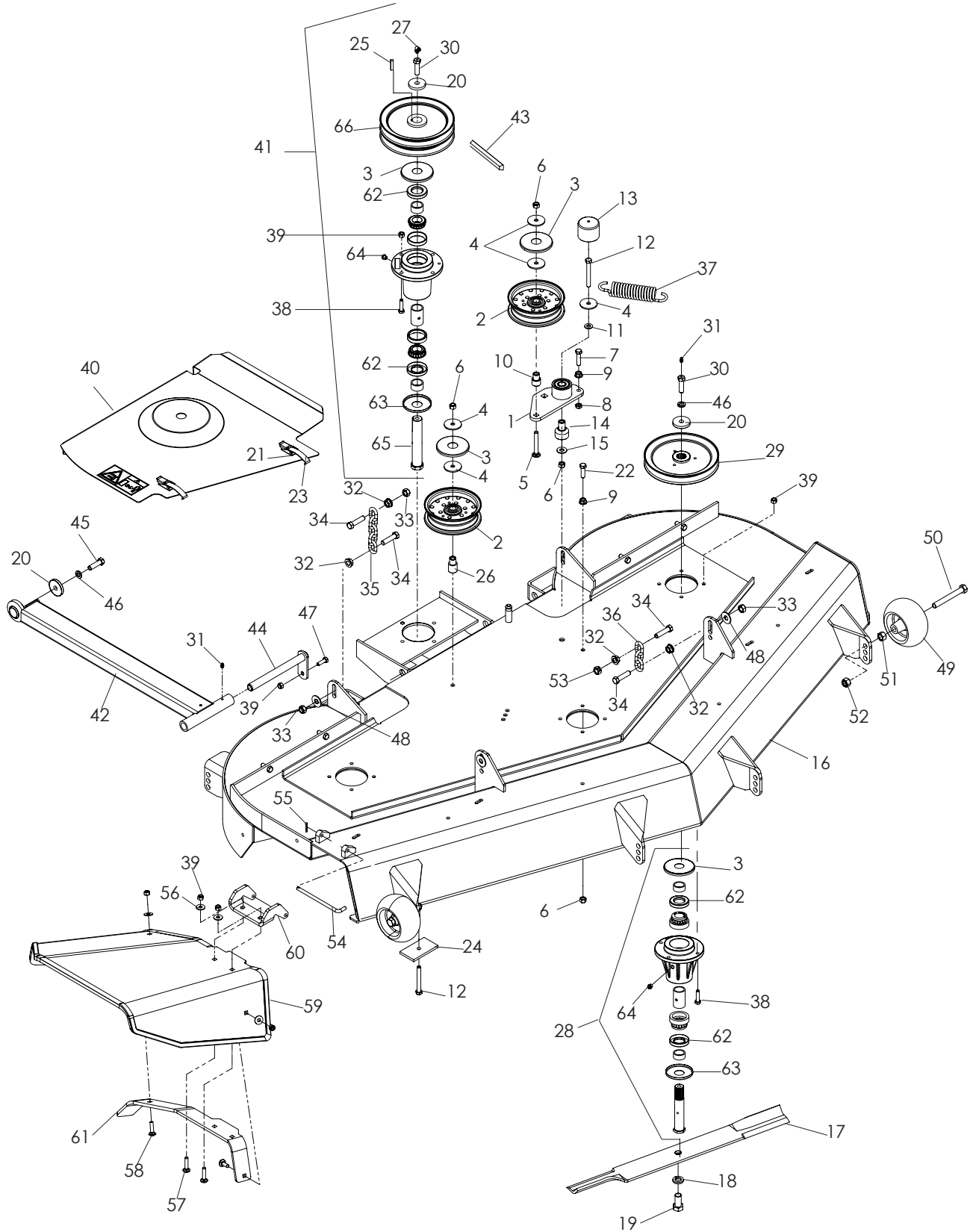
61" DECK



61" DECK

ITEM	PART NO.	QTY.	DESCRIPTION	ITEM	PART NO.	QTY.	DESCRIPTION
1...	539 111427	1...	DECK W/DECALS	34...	539 108450	2...	TOP DUST CAP
2...	539 101733	3...	BLADE, 21"	35...	539 104864	4...	WASHER $\frac{7}{16}$
3...	539 990333	3...	WASHER $\frac{5}{8}$ SLOTTED LOCK	36...	539 107610	6...	WHEEL, GAUGE
4...	539 103299	3...	HCS $\frac{5}{8}$ -18 x $1\frac{1}{4}$	37...	539 108366	6...	HCS $\frac{1}{2}$ -13 x 4
5...	539 106504	5...	WASHER, HEAVY	38...	539 990258	6...	NUT $\frac{1}{2}$ -13 HEX
6...	539 976979	3...	NUT $\frac{3}{8}$ -16 HEX NYLOC	39...	539 101331	6...	NUT $\frac{1}{2}$ -13 HEX NYLOC
7...	539 976941	1...	HCS $\frac{3}{8}$ -16 x $1\frac{1}{4}$	40...	539 131813	1...	PIN, CHUTE PIVOT
8...	539 990613	2...	NUT $\frac{3}{8}$ -16 HEX WHIZLK	41...	539 990365	1...	PIN, COTTER $\frac{1}{8}$ x $\frac{3}{4}$
9...	539 103303	2...	PAD	42...	539 990692	4...	WASHER $\frac{5}{16}$ STD FLT
10...	539 101341	2...	HCS $\frac{3}{8}$ -16 x 3	43...	539 102933	2...	RHSNB $\frac{5}{16}$ -18 x $1\frac{1}{2}$
11...	539 103295	2...	IDLER BUSHING	44...	539 100472	2...	RHSNB $\frac{5}{16}$ -18 x $1\frac{1}{4}$
12...	539 103257	3...	IDLER PULLEY	45...	539 130779	1...	DISCHARGE CHUTE
13...	539 112934	3...	HOUSING ASSEMBLY	46...	539 130923	1...	BRACKET, CHUTE
14...	539 112125	3...	PULLEY	47...	539 130925	1...	REINFORCEMENT, CHUTE
15...	539 112120	3...	HCS $\frac{7}{16}$ -20 x $1\frac{1}{2}$ GR8	48...	539 130391	1...	ARM, IDLER, W/BEARINGS
16...	539 976998	5...	ZERK	49...	539 130235	1...	RHSNB $\frac{3}{8}$ -16 x $2\frac{3}{4}$
17...	539 109693	2...	LIFT CHAIN, 3 LINK	50...	539 107042	1...	HCS $\frac{3}{8}$ -16 x $1\frac{1}{2}$ GR8
18...	539 102582	8...	NUT $\frac{7}{16}$ -14 HEX WHIZ LK	51...	539 109332	1...	NUT $\frac{3}{8}$ -16 HEX JAM
19...	539 119124	8...	NUT $\frac{7}{16}$ -14 HEX NYLOC	52...	539 108767	1...	JACKSHAFT SPINDLE
20...	539 108073	8...	HCS $\frac{7}{16}$ -14 x $1\frac{3}{4}$	53...	539 130242	1...	BUSHING, IDLER
21...	539 102641	2...	LIFT CHAIN	54...	539 990122	1...	WASHER $\frac{3}{8}$ SAE FLT
22...	539 130690	1...	SPRING	55...	539 114823	1...	CAP, VINYL
23...	539 990627	16...	HCS $\frac{5}{16}$ -18 x $1\frac{1}{4}$	56...	539 130205	1...	PIVOT, BEARING
24...	539 990717	22...	NUT $\frac{5}{16}$ -18, NYLOC	57...	539 990517	1...	WASHER $\frac{3}{8}$ FLAT STD
25...	539 109493	1...	BELT SHIELD, RT	58...	539 109660	2...	DRAW LATCH
...	539 109494	1...	BELT SHIELD, LT	59...	539 110740	4...	POP RIVET
26...	539 112263	1...	JACKSHAFT ASSEM LOWER	60...	539 108754	2...	SHAFT SEAL
27...	539 107751	2...	STRUT, LH	61...	539 108449	1...	BOTTOM DUST CAP
28...	539 106340	1...	BELT, 61"	62...	539 977326	1...	POPPET, GREASE
29...	539 102619	2...	PIVOT PIN	63...	539 106346	1...	SHEAVE
30...	539 100141	2...	HCS $\frac{7}{16}$ -20 x $1\frac{1}{2}$	64...	539 101995	1...	KEY $\frac{1}{4}$ SQ x $1\frac{1}{8}$
31...	539 990247	2...	WASHER $\frac{7}{16}$ SPLT LOCK	65...	539 912758	1...	ZERK 90° $\frac{1}{4}$ -28
32...	539 990209	2...	HCS $\frac{5}{16}$ -18 x 1				
33...	539 111897	4...	WASHER $\frac{3}{8}$ SPECIAL				

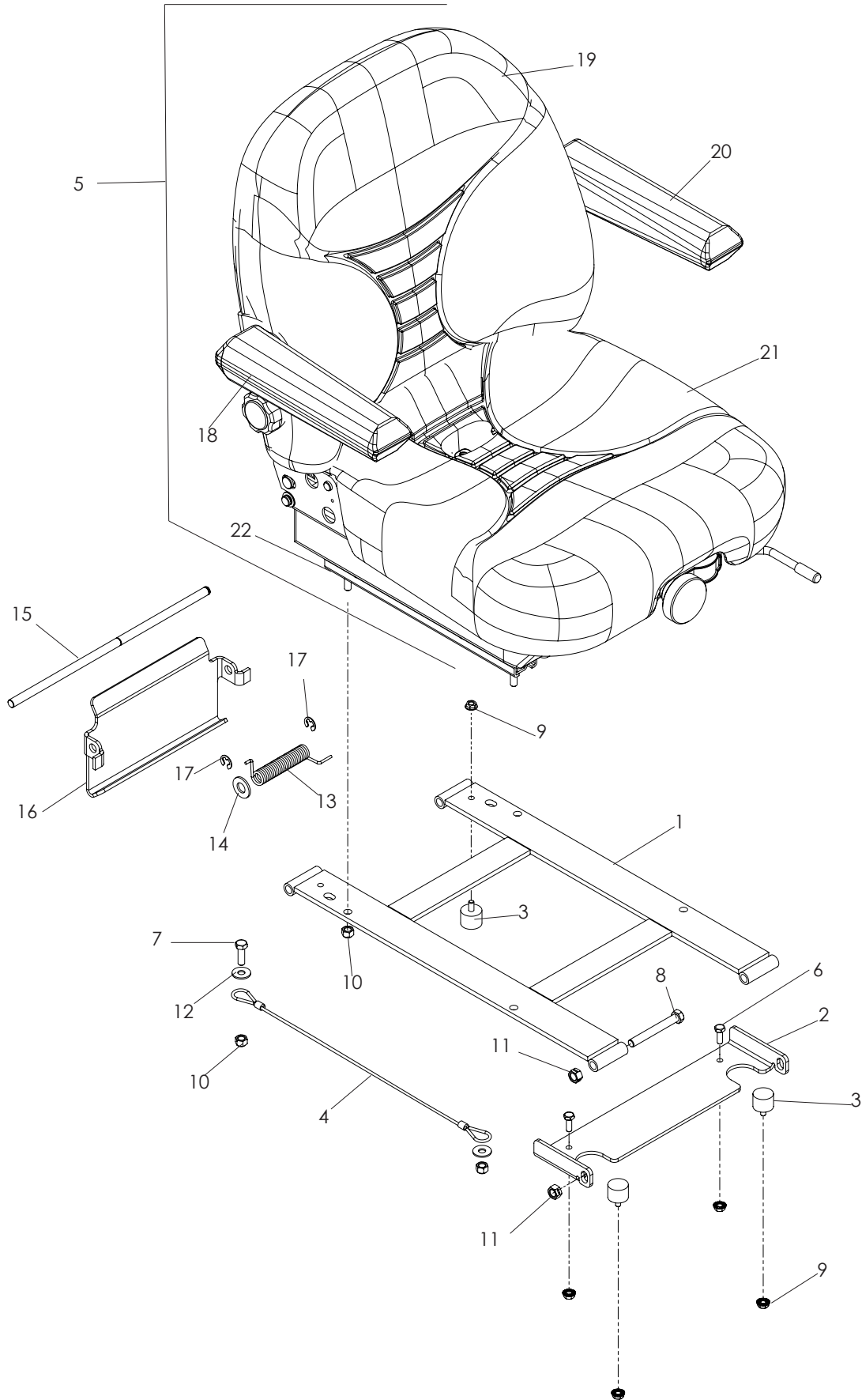
72" DECK



72" DECK

ITEM	PART NO.	QTY.	DESCRIPTION	ITEM	PART NO.	QTY.	DESCRIPTION
1..	539 130391....1	ARM, IDLER W/BEARINGS	35..	539 102641....2	LIFT CHAIN
2..	539 103257....1	IDLER PULLEY	36..	539 109693....2	LIFT CHAIN, 3 LINK
3..	539 108450....2	TOP DUST CAP	37..	539 130690....1	SPRING
4..	539 1118973	WASHER $\frac{3}{8}$ SPECIAL	38..	539 990627..16	HCS $\frac{5}{16}$ -18 x $1\frac{1}{4}$
5..	539 130235....1	RHSNB $\frac{3}{8}$ -16 x $2\frac{3}{4}$	39..	539 990717..22	NUT $\frac{5}{16}$ -18 HEX NYLOC
6..	539 976979....2	NUT $\frac{3}{8}$ -16 HEX NYLOC	40..	539 110743....1	BELT SHIELD ASSEM RH
7..	539 107042....1	HCS $\frac{3}{8}$ -16 x $1\frac{1}{2}$ GR8		539 110744....1	BELT SHIELD ASSEM LH
8..	539 109332....1	NUT $\frac{3}{8}$ -16 HEX JAM	41..	539 112263....1	JACKSHAFT ASSEM LOWER
9..	539 990613....1	NUT $\frac{3}{8}$ -16 HEX WHIZLK	42..	539 110725....2	STRUT LH
10..	539 130242....1	BUSHING, IDLER	43..	539 104335....1	BELT
11..	539 990122....1	WASHER $\frac{3}{8}$ SAE FLT	44..	539 105480....2	PIVOT PIN
12..	539 101341....1	HCS $\frac{3}{8}$ -16 x 3	45..	539 100141....2	HCS $\frac{7}{16}$ -20 x $1\frac{1}{2}$
13..	539 114823....1	CAP, VINYL	46..	539 990247....2	WASHER $\frac{7}{16}$ SPLT LOCK
14..	539 130205....1	PIVOT, BEARING	47..	539 990209....2	HCS $\frac{5}{16}$ -18 x 1
15..	539 990517....1	WASHER $\frac{3}{8}$ FLAT STD	48..	539 104864....4	WASHER $\frac{7}{16}$ FLAT
16..	539 1114291	TUNNEL DECK W/DECALS	49..	539 107610....7	WHEEL, GAUGE
17..	539 105476....3	BLADE, 25"	50..	539 118862....7	HHB $\frac{1}{2}$ -13 x 4
18..	539 990333....3	WASHER $\frac{5}{8}$ SLOTTED LOCK	51..	539 990258....7	NUT $\frac{1}{2}$ -13 HEX
19..	539 103299....3	HCS $\frac{5}{8}$ -18 x $1\frac{1}{4}$	52..	539 101331....7	NUT $\frac{1}{2}$ -13 HEX NYLOC
20..	539 106504....6	WASHER, HEAVY	53..	539 990839....1	NUT $\frac{7}{16}$ -14 HEX CNTRLK
21..	539 110740....4	POP RIVET	54..	539 131813....1	PIN, CHUTE PIVOT
22..	539 976941....1	HCS $\frac{3}{8}$ -16 x $1\frac{1}{4}$	55..	539 990365....1	PIN, COTTER $\frac{1}{8}$ x $\frac{3}{4}$
23..	539 109660....4	DRAW LATCH	56..	539 990692....4	WASHER $\frac{5}{16}$ STD FLT
24..	539 103303....2	PAD	57..	539 102933....2	RHSNB $\frac{5}{16}$ -18 x $1\frac{1}{2}$
25..	539 101995 ...1	...	KEY $\frac{1}{4}$ SQ x $1\frac{1}{8}$	58..	539 100472....2	RHSNB $\frac{5}{16}$ -18 x $1\frac{1}{4}$
26..	539 103295....2	IDLER BUSHING	59..	539 130780....1	DISCHARGE CHUTE
27..	539 912758 ...1	...	ZERK 90° $\frac{1}{4}$ -28	60..	539 130923....1	BRACKET, CHUTE
28..	539 112934....3	HOUSING ASSEM	61..	539 130926....1	REINFORCMENT, BRACKET
29..	539 112126....3	PULLEY	62..	539 108754 ...2	...	SHAFT SEAL
30..	539 112120....3	HCS $\frac{7}{16}$ -20 x $1\frac{1}{2}$ GR8	63..	539 108449 ...1	...	BOTTOM DUST CAP
31..	539 976998....5	ZERK	64..	539 977326 ...1	...	POPPET, GREASE
32..	539 102582....8	NUT $\frac{7}{16}$ -14 HEX WHIZ LK	65..	539 108767 ...1	...	JACKSHAFT SPINDLE
33..	539 119124....7	NUT $\frac{7}{16}$ -14 HEX NYLOC	66..	539 106346 ...1	...	SHEAVE
34..	539 108073....8	HCS $\frac{7}{16}$ -14 x $1\frac{3}{4}$				

SEAT



SEAT

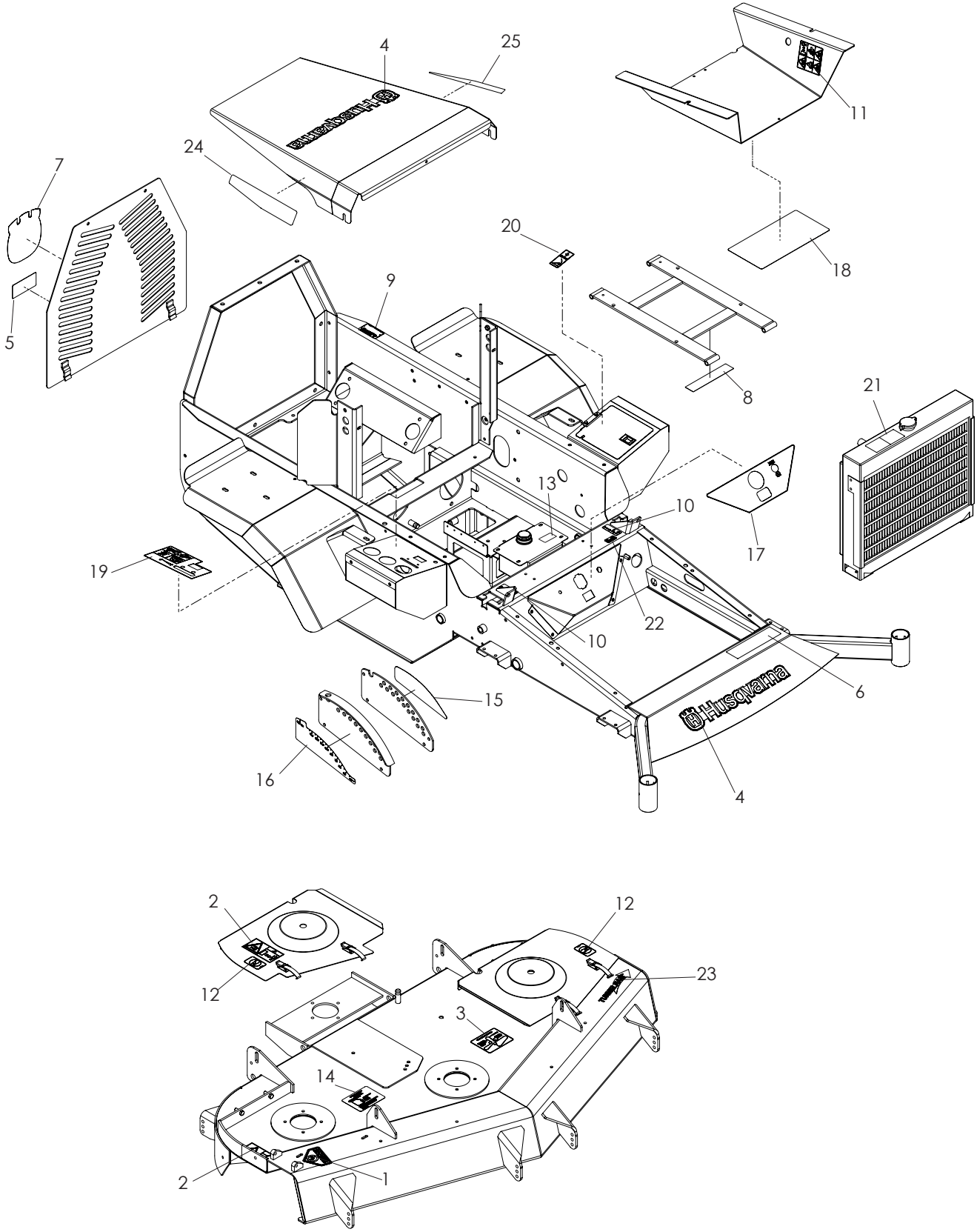
ITEM	PART NO.	QTY.	DESCRIPTION
1..	539 111564	...1	...MOUNT, SEAT
2..	539 105038	...1	...BRACKET SEAT
3..	539 105039	...4	...STUD, PLATE MOUNT
4..	539 103247	...2	...LANYARD, SEAT
5..	539 130874	...1	...SEAT, SUSPENSION
6..	539 990580	...2	...HCS 1/4-20 x 3/4
7..	539 990209	...2	...HCS 5/16-18 x 1
8..	539 101341	...2	...HCS 3/8-16 x 3
9..	539 108735	...6	...NUT 1/4-20 WHIZLK
10..	539 990717	...6	...NUT 5/16-18 HEX NYLOC
11..	539 990546	...4	...NUT 3/8-16 HEX CTRLK
12..	539 990692	...4	...WASHER 5/16 STD FLT
13..	539 110645	...1	...SPRING, TORSION
14..	539 990122	...1	...WASHER 3/8 SAE FLT

ITEM	PART NO.	QTY.	DESCRIPTION
15..	539 111563	...1	...PIN
16..	539 111562	...1	...LATCH
17..	539 990870	...2	...RETAINING RING
18..	539 1087171ARMREST KIT, RT
19..	539 1087191BACK CUSHION KIT
20..	539 1087161ARMREST KIT, LT
21..	539 1087181SEAT CUSHION KIT
22..	539 1087201SLIDE KIT, SEAT ADJUSTMENT

NOT SHOWN

539 108745	...1	SWITCH-SNAP MOUNT KIT
539 1114341	BACK, HARD PLASTIC PREM SEAT

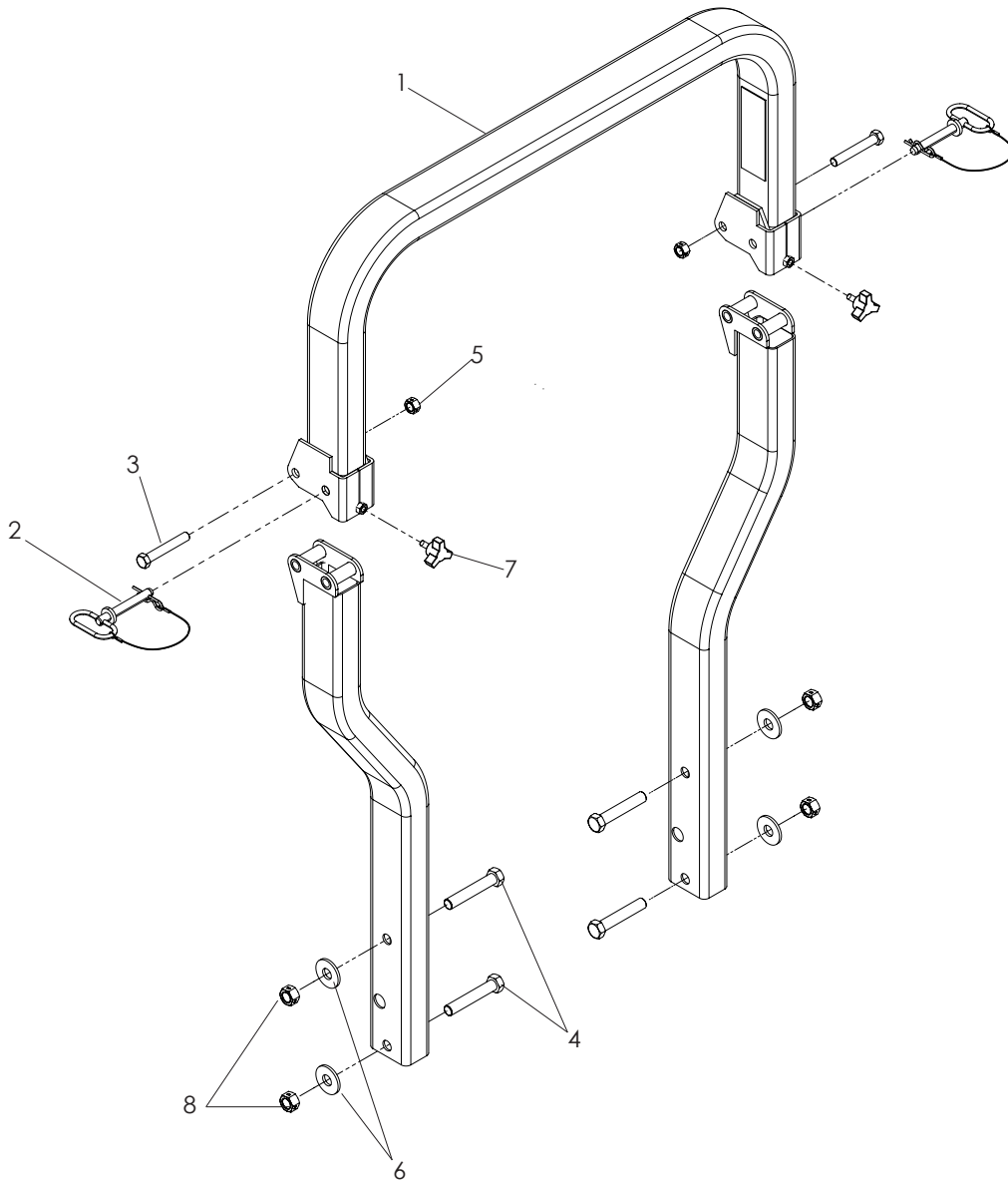
DECALS



DECALS

ITEM	PART NO.	QTY.	DESCRIPTION	ITEM	PART NO.	QTY.	DESCRIPTION
1..	539 913010	...1	...DECAL, CPSC	15..	539 104899	...1	...DECAL, HEIGHT
2..	539 105746	...1	...DECAL, SEVERING	16..	539 104898	...1	...DECAL, HEIGHT
3..	539 108335	...1	...DECAL, BELT ROUTING	17..	539 110931	...1	...DECAL, CONSOLE
4..	539 111046	...2	...DECAL, HUSQVARNA	18..	539 108124	...1	...DECAL, SERVICE
5..	539 105744	...1	...DECAL, BELT DRIVES	19..	539 108122	...1	...DECAL, RT CONSOLE
6..	539 1110611DECAL, BZ6127	20..	539 110909	...1	...DECAL, 12V DC
	539 1110631DECAL, BZ7234	21..	539 108497	...1	...DECAL, HOT
7..	539 111042	...1	...DECAL, CROWN	22..	539 110974	...1	...DECAL, FAST/SLOW/TRACK
8..	539 105745	...1	...DECAL, BATTERY WARNING	23..	539 111561	...1	...DECAL, TUNNELRAM 8"
9..	539 101881	...1	...DECAL, PROP 65	24..	539 1082631DECAL, 34 TURBO, RT
10..	539 103333	...2	...DECAL, MOTION CONTROL		539 108265	...1DECAL, 27 DIESEL, RT
11..	539 111575	...1	...DECAL, WARNING	25..	539 1082621DECAL, 34 TURBO, LT
12..	539 105743	...2	...DECAL, NO STEP		539 108264	...1DECAL, 27 DIESEL, LT
13..	539 114832	...1	...DECAL, OIL TANK				NOT SHOWN:
14..	539 105232	...1	...DECAL, ANTI-SCALP		539 100128	..1	...DECAL, EXHAUST

PROTECTION FRAME



PROTECTION FRAME

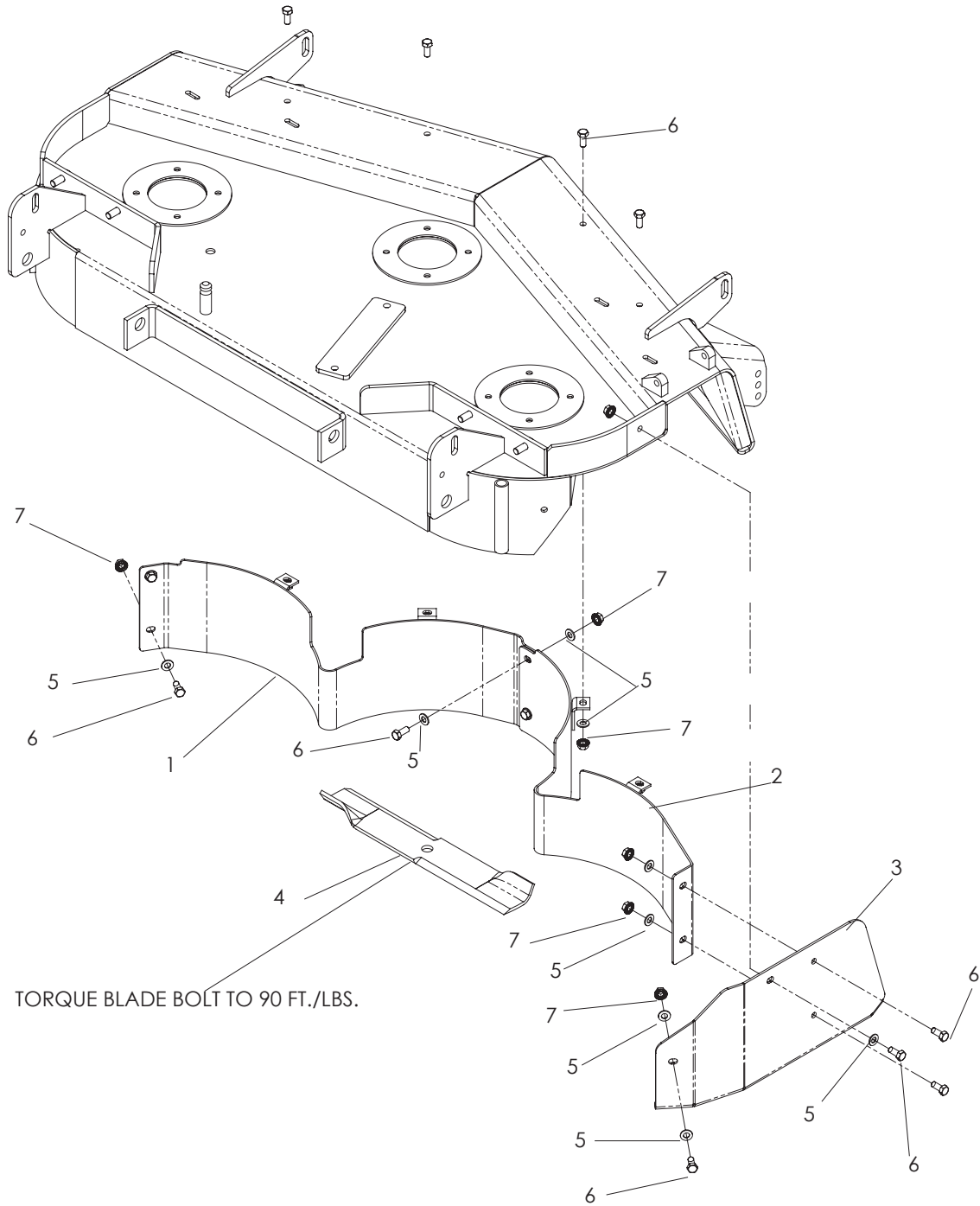
ITEM	PART NO.	QTY.	DESCRIPTION
1..	539 110884	...1	...ROPS, COMPLETE, W/SEAT BELT
2..	539 111036	...1	...PIN ½ W/LANYARD
3..	539 103433	...1	...HCS ½-13 x 3¼
4..	539 111923	...2	...HCS 5/8-13 x 3

ITEM	PART NO.	QTY.	DESCRIPTION
5..	539 200100	...1	...NUT ½-13 HEX CNTRLK
6..	539 102653	...1	...WASHER 5/8 STD
7..	539 104411	...1	...KNOB w/STUD
8..	539 111924	...1	...NUT 5/8-11 HEX CNTRLK

ACCESSORIES

MULCH KIT 61" PART NO. 539111353

NOTE: TIGHTEN ALL HARDWARE BY TURNING THE BOLT, NOT THE NUT.



ACCESSORIES

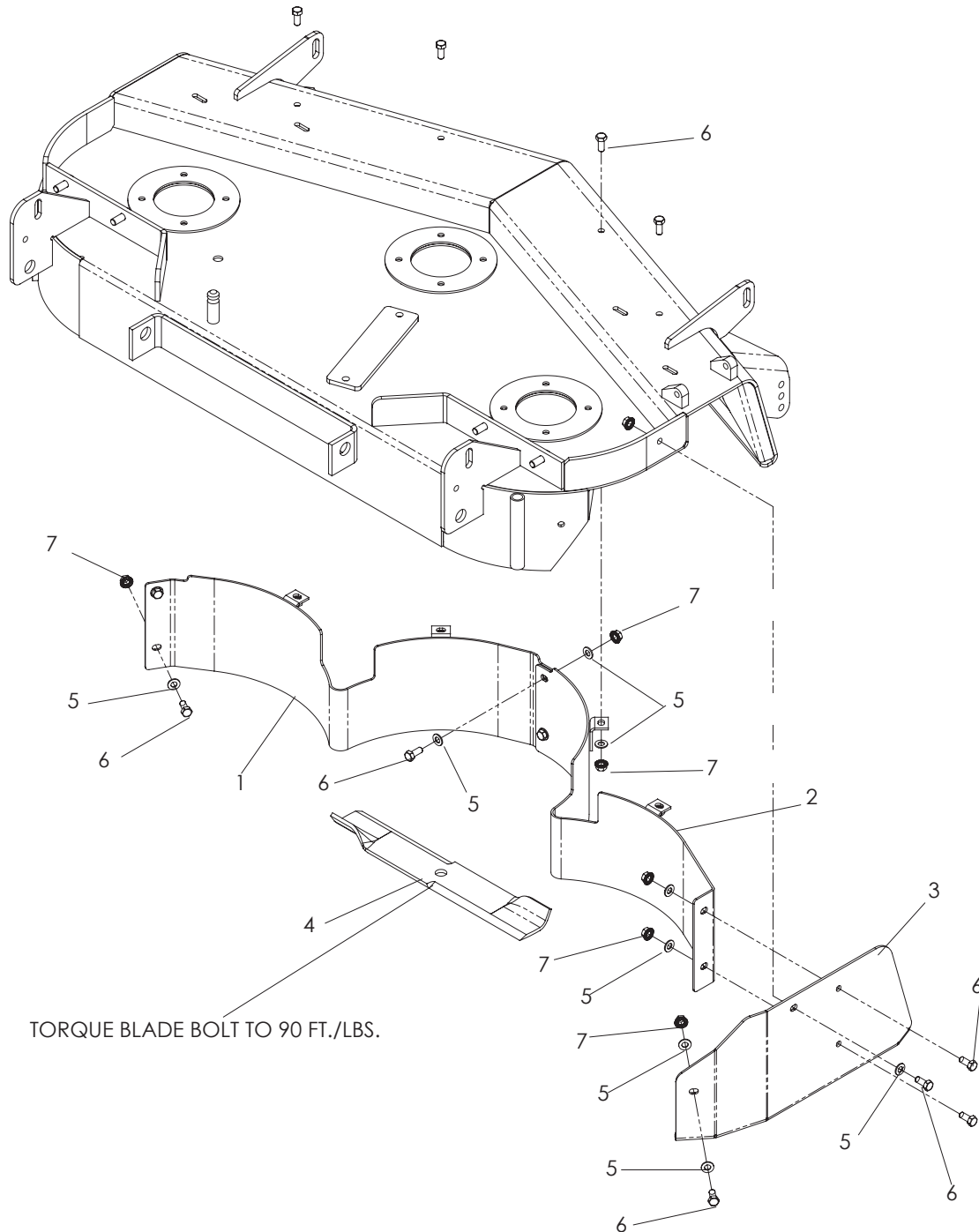
ITEM	PART NO.	QTY.	DESCRIPTION
1...	539 110715 ...	1...	BAFFLE, LT
2...	539 110717 ...	1...	BAFFLE, RT
3...	539 110719 ...	1...	MULCH CAP
4...	539 109755 ...	3...	MULCH BLADE, 21"

ITEM	PART NO.	QTY.	DESCRIPTION
5...	539 990188 .	15...	WASHER $\frac{5}{16}$ FLAT SAE
6...	539 976934 .	12...	HCS $\frac{5}{16}$ -18 x $\frac{3}{4}$
7...	539 990585 .	12...	NUT $\frac{5}{16}$ -18 WHIZ

ACCESSORIES

MULCH KIT 72" PART NO. 539111354

NOTE: TIGHTEN ALL HARDWARE BY TURNING THE BOLT, NOT THE NUT.



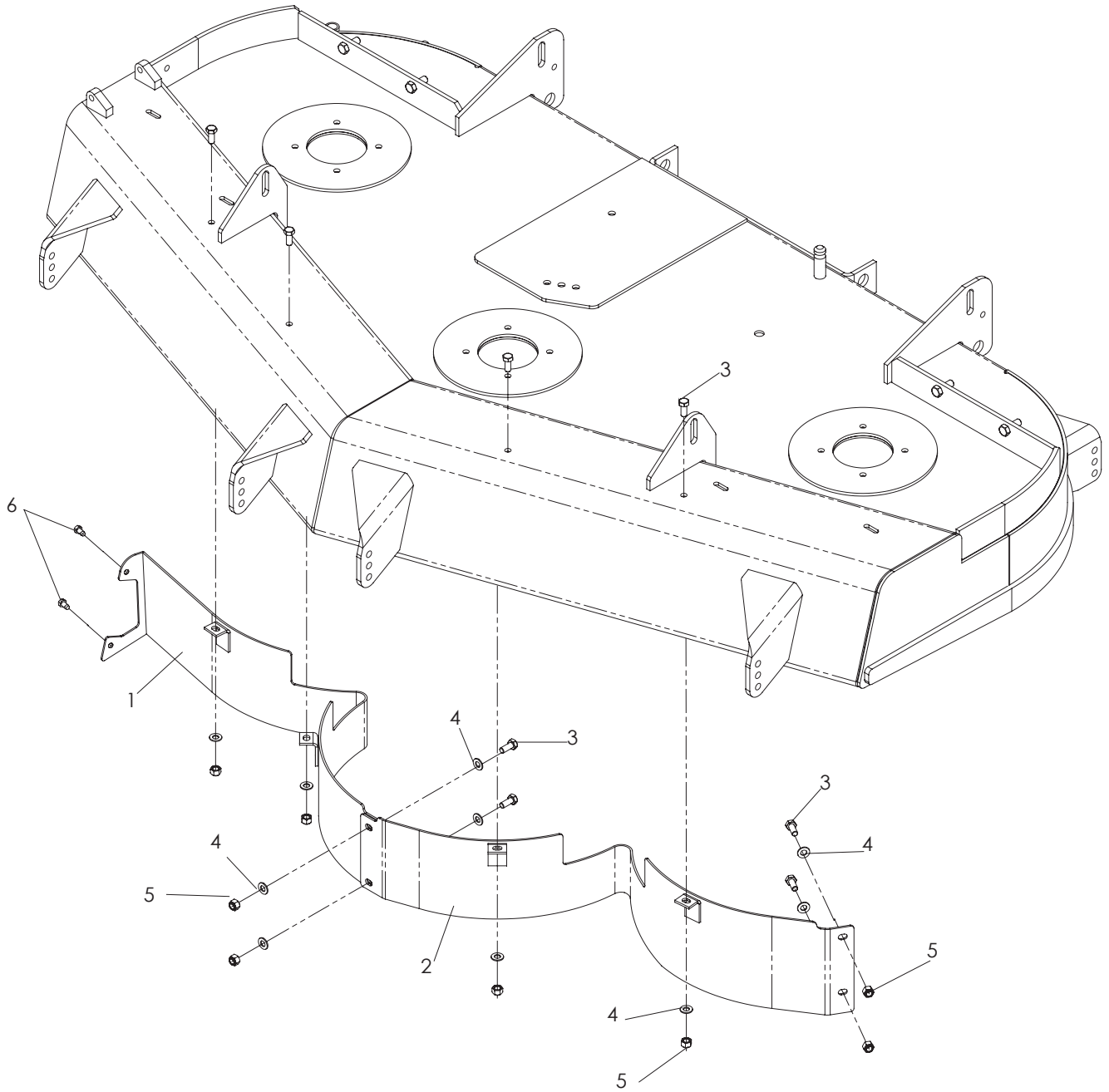
ACCESSORIES

ITEM	PART NO.	QTY.	DESCRIPTION
1...	539 110720 ...	1...	BAFFLE, LT
2...	539 110722 ...	1...	BAFFLE, RT
3...	539 110724 ...	1...	MULCH CAP
4...	539 105571 ...	3...	MULCH BLADE, 25"

ITEM	PART NO.	QTY.	DESCRIPTION
5...	539 990188 .	15...	WASHER ⁵ / ₁₆ FLAT SAE
6...	539 976934 .	12...	HCS ⁵ / ₁₆ -18 x ³ / ₄
7...	539 990585 .	12...	NUT ⁵ / ₁₆ -18 WHIZ

ACCESSORIES

FRONT Baffle Kits 61" PART NO. 539111634



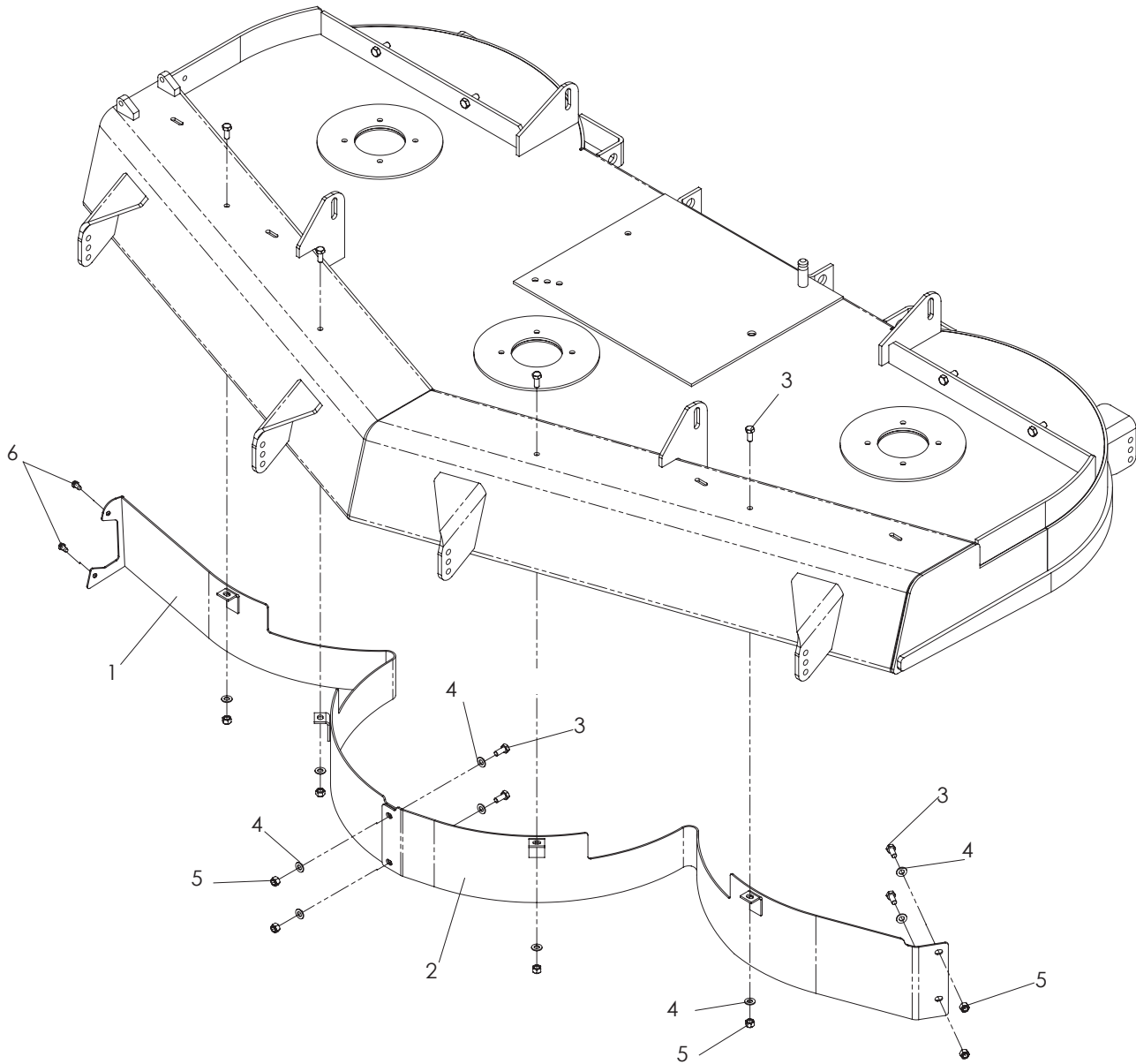
ACCESSORIES

ITEM	PART NO.	QTY.	DESCRIPTION
1...	539 111610 ...	1...	BAFFLE, FRONT, RT
2...	539 111613 ...	1...	BAFFLE, FRONT, LT
3...	539 976934 ...	8...	HCS $\frac{5}{16}$ -18 x $\frac{3}{4}$

ITEM	PART NO.	QTY.	DESCRIPTION
4...	539 990188 .	10...	WASHER $\frac{5}{16}$ FLAT SAE
5...	539 990717 ...	8...	NUT $\frac{5}{16}$ -18 HEX NYLOC
6...	539 105532 ...	2...	SCREW $\frac{1}{4}$ -20, SLF TAP

ACCESSORIES

FRONT Baffle Kits 72" PART NO. 539111635



ACCESSORIES

ITEM	PART NO.	QTY.	DESCRIPTION
1...	539 111627 ...	1...	BAFFLE, FRONT, RT
2...	539 111629 ...	1...	BAFFLE, FRONT, LT
3...	539 976934 ...	8...	HCS $\frac{5}{16}$ -18 x $\frac{3}{4}$

ITEM	PART NO.	QTY.	DESCRIPTION
4...	539 990188 .	10...	WASHER $\frac{5}{16}$ FLAT SAE
5...	539 990717 ...	8...	NUT $\frac{5}{16}$ -18 HEX NYLOC
6...	539 105532 ...	2...	SCREW $\frac{1}{4}$ -20, SLF TAP