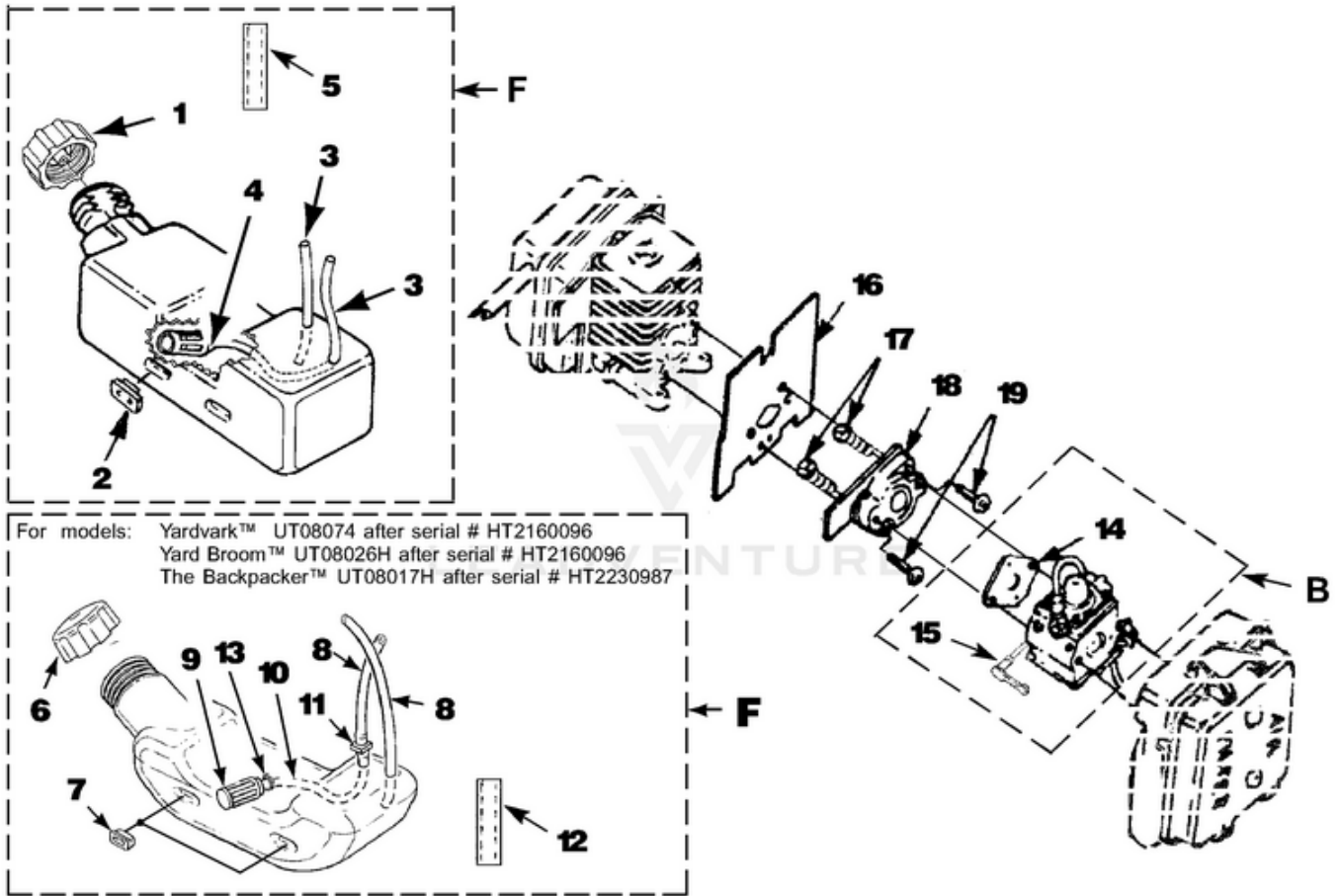


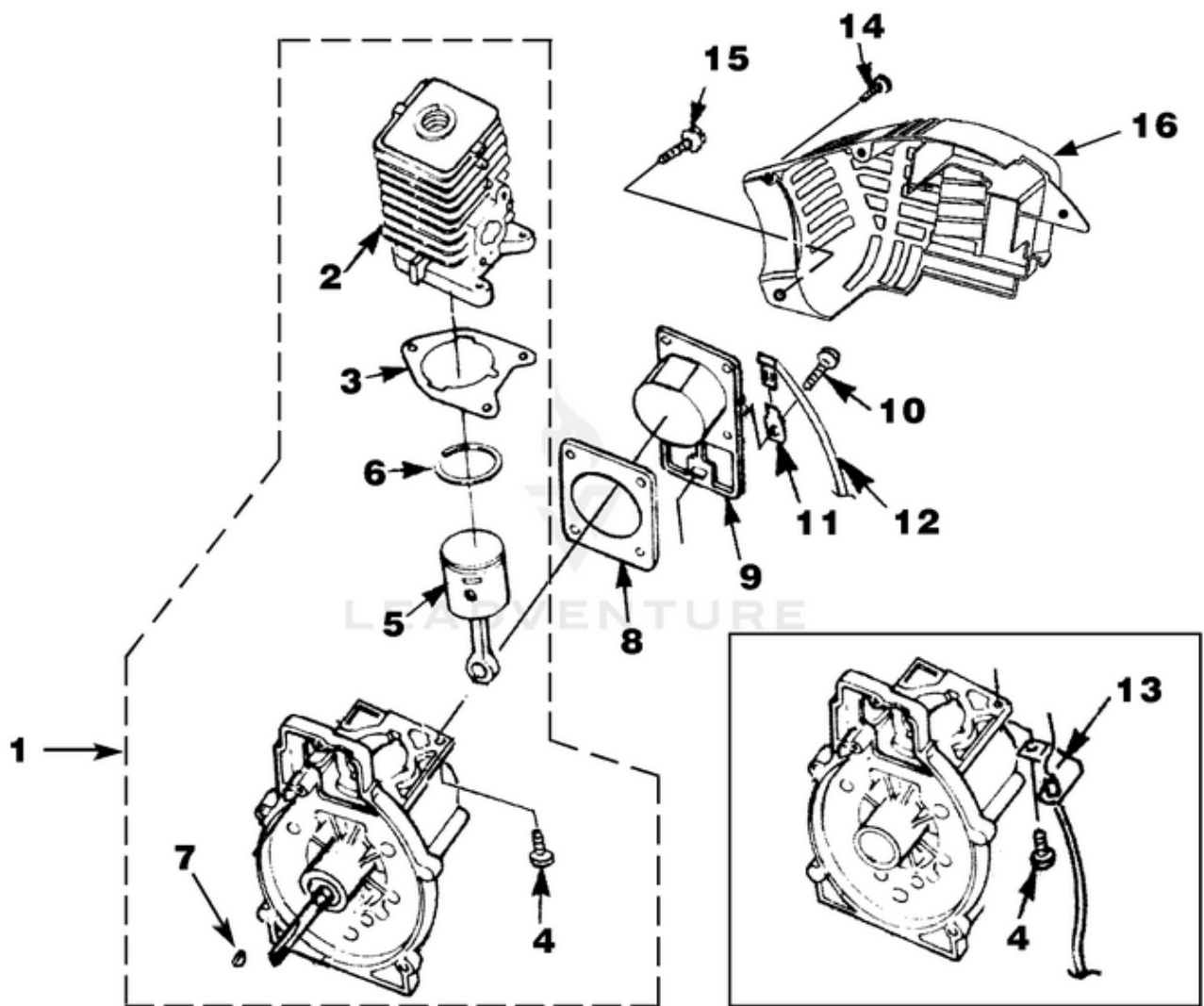
BX90 Blower UT-08042 - Carburetor And Fuel Tank



Rendered by LeadVenture, Inc.

| Ref # | Part # | Description | Qty | Context Note |
|-------|---------|---|-----|--|
| F | UP00136 | FUEL TANK KIT | 1 | Includes items 1-5 |
| 1 | UP04111 | FUEL CAP (1 3/8" Opening) | 1 | |
| 2 | UP03501 | BUMPER-Rubber | 3 | |
| 3 | 7031032 | TUBING-Rubber (8") | 2 | |
| 4 | UP03871 | FUEL FILTER | 1 | |
| 5 | 4283304 | INSULATION-Tubing | 1 | |
| F | UP00136 | FUEL TANK KIT | 1 | Includes items 6-13 |
| 6 | UP00106 | FUEL CAP (1 5/8" Opening) | 1 | |
| 7 | UP03501 | BUMPER-Rubber | 3 | |
| 8 | UP03825 | TUBING-Rubber (8") | 2 | |
| 9 | UP03871 | FUEL FILTER | 1 | |
| 10 | UP03905 | TUBING-Rubber (8") | 1 | |
| 11 | UP04310 | Fitting, Inlet (small for 2.5mm ID fuel line) | 1 | |
| | UP03831 | Fitting, Inlet (large for 3mm ID fuel line) | 1 | |
| 12 | UP04339 | INSULATION-Tubing | 1 | |
| 13 | UP03913 | CLAMP | 1 | |
| B | UP00651 | CARBURETOR KIT | 1 | Includes items 14-15 |
| 14 | UP03915 | GASKET-Carburetor | 1 | Also included with Short block & Cylinder Kits. |
| 15 | UP03943 | LEVER-Choke | 1 | (Walbro WT419, WT469) |
| | UP04278 | LEVER-Choke | 1 | (Zama, H39) |
| B | UP00652 | CARBURETOR KIT | 1 | (BP250's, Backpacker & BP30185); Includes items 14-15 |
| 14 | UP03916 | (GASKET-Carburetor) | 1 | Also included with Short block & Cylinder Kits. |
| 15 | UP03943 | LEVER-Choke | 1 | (Walbro WT419,WT469) |
| | UP04278 | LEVER-Choke | 1 | (Zama, H39) |
| B | UP00653 | CARBURETOR KIT | 1 | (UT08026 E, F, G, H, J, UT08011 G, H, J); Includes items 14-15 |
| 14 | UP03915 | GASKET-Carburetor | 1 | Also included with Short block & Cylinder Kits. |
| 15 | UP03941 | LEVER-Choke | 1 | |
| 16 | UP04308 | GASKET-Heat Dam | 1 | Also included with Short block & Cylinder Kits. |
| 17 | UP04131 | SCREW-Thread Form. (10-24 x 1") | 2 | Torque Specs 30-40 In/Lbs, 3.4-4.5 Nm. |
| 18 | UP04348 | HEAT DAM | 1 | |
| 19 | UP04140 | SCREW, SEMS (10-24 x 1.110) | 2 | Torque Specs 40-50 In/Lbs, 4.5-5.6 Nm. Required Loctite 262 Red; Also included with Short block & Cylinder Kits. |

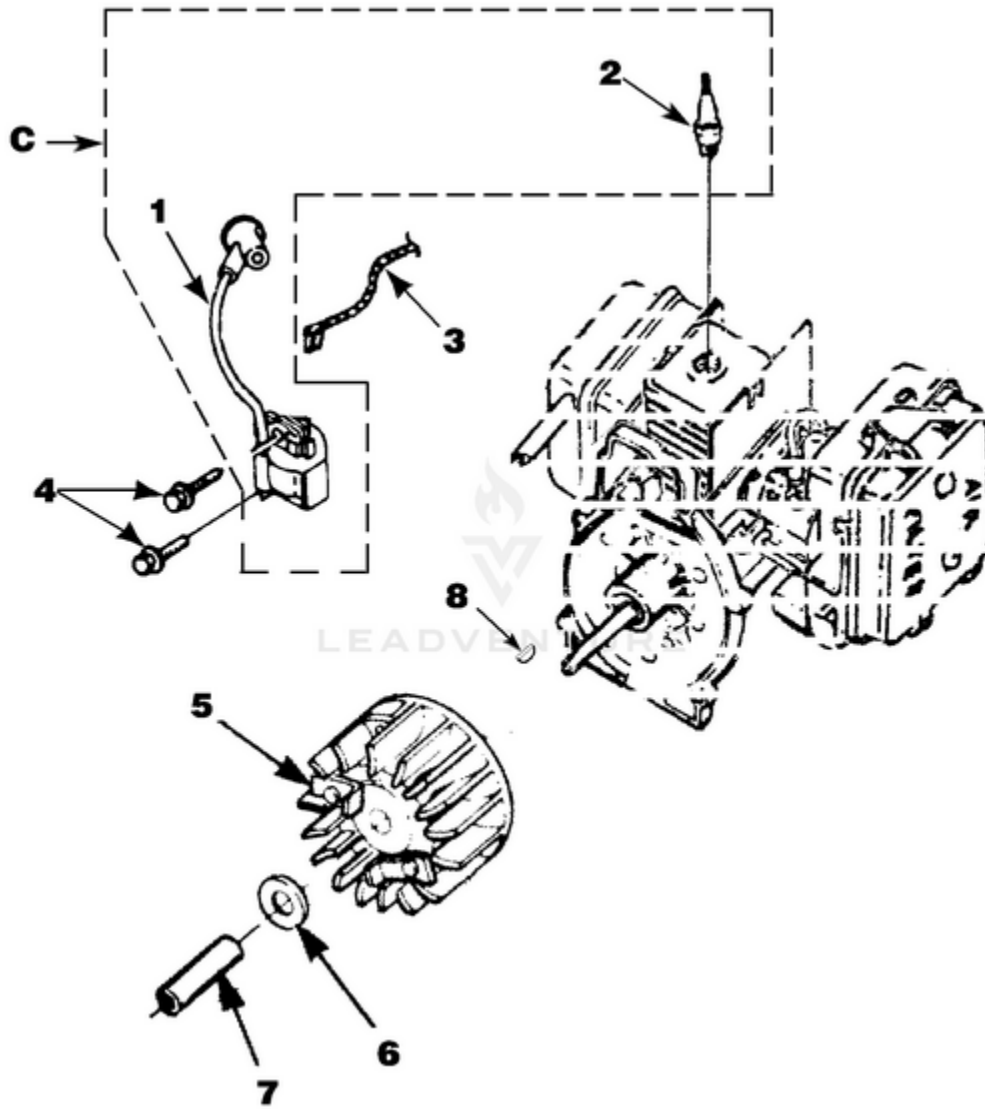
BX90 Blower UT-08042 - Engine Internal



Rendered by LeadVenture, Inc.

| Ref # | Part # | Description | Qty | Context Note |
|-------|---------|-------------------------------------|-----|---|
| 1 | UP03121 | SHORT BLOCK W/ Rotor (30cc) | 1 | Includes items 2-7 |
| 2 | UP07146 | 30 CC CYLINDER KIT | 1 | Includes items 3-4 |
| 3 | UP03857 | GASKET-Cylinder | 1 | Also Included with Short Block & Cylinder Kits |
| 4 | UP04345 | SCREW, SEMS (12-24 x 3/4) | 3 | Torque Specs 55-65 In/Lbs, 6.2-7.3 Nm. Required Loctite 262 Red |
| 5 | UP03366 | 30 CC PISTON & ROD | 1 | Includes item 6 |
| 6 | UP03837 | RING-Piston | 2 | Ring for single ring 30CC piston is 04933. |
| 7 | UP03874 | KEY-Woodruff | 1 | |
| | UP03817 | GASKET-Muffler | 1 | (Not Shown) |
| 1 | UP03123 | SHORT BLOCK W/ Rotor (25cc) | 1 | Includes items 2-7 |
| 2 | UP04136 | 25 CC CYLINDER KIT | 1 | Includes items 3-4 |
| 3 | UP03857 | GASKET-Cylinder | 1 | |
| 4 | UP04345 | SCREW, SEMS (12-24 x 3/4) | 3 | Torque Specs 55-65 In/Lbs, 6.2-7.3 Nm. Required Loctite 262 Red |
| 5 | UP00768 | 25 CC PISTON & ROD | 1 | Includes item 6 |
| 6 | UP03838 | RING-Piston | 1 | |
| 7 | UP03874 | KEY-Woodruff | 1 | |
| | UP03817 | GASKET-Muffler | 1 | (Not Shown) |
| 8 | UP04335 | GASKET-Crankcase | 1 | Torque Specs 55-65 In/Lbs, 6.2-7.3 Nm. Required Loctite 262 Red; Also Included with Short Block & Cylinder Kits |
| 9 | UP04336 | CRANKCASE COVER-Stamped Steel | 1 | |
| 10 | UP04295 | SCREW, SEMS (10-24 x .56) | 4 | (Use with stamped steel c/case cover); Also Included with Short Block & Cylinder Kits |
| 9 | UP03914 | CRANKCASE COVER-Aluminum | 1 | |
| 10 | UP04277 | SCREW, SEMS (10-24 x .810) | 4 | (Use with aluminum c/case cover); Also Included with Short Block & Cylinder Kits |
| 11 | UP03834 | TAB-Male | 1 | |
| 12 | UP04302 | CABLE-Throttle w/ Ignition Leads | 1 | (BP250's, Backpacker & BP30185) |
| 13 | UP04296 | CABLE BRACKET | 1 | (BP250's, Backpacker & BP30185) |
| 14 | UP03893 | SCREW-Thread Form. (#8 X 1/2") | 3 | Torque Specs 8-12 In/Lbs, .9-1.4 Nm. |
| 15 | UP03900 | SCREW-Thread Form. (#10 X 3/4") | 6 | Torque Specs 20-30 In/Lbs, 2.3-3.4 Nm. |
| 16 | UP06522 | SHROUD | 1 | |
| | UP06779 | SHROUD-Flocked | 1 | (HB180-VI, HB390-VI) |

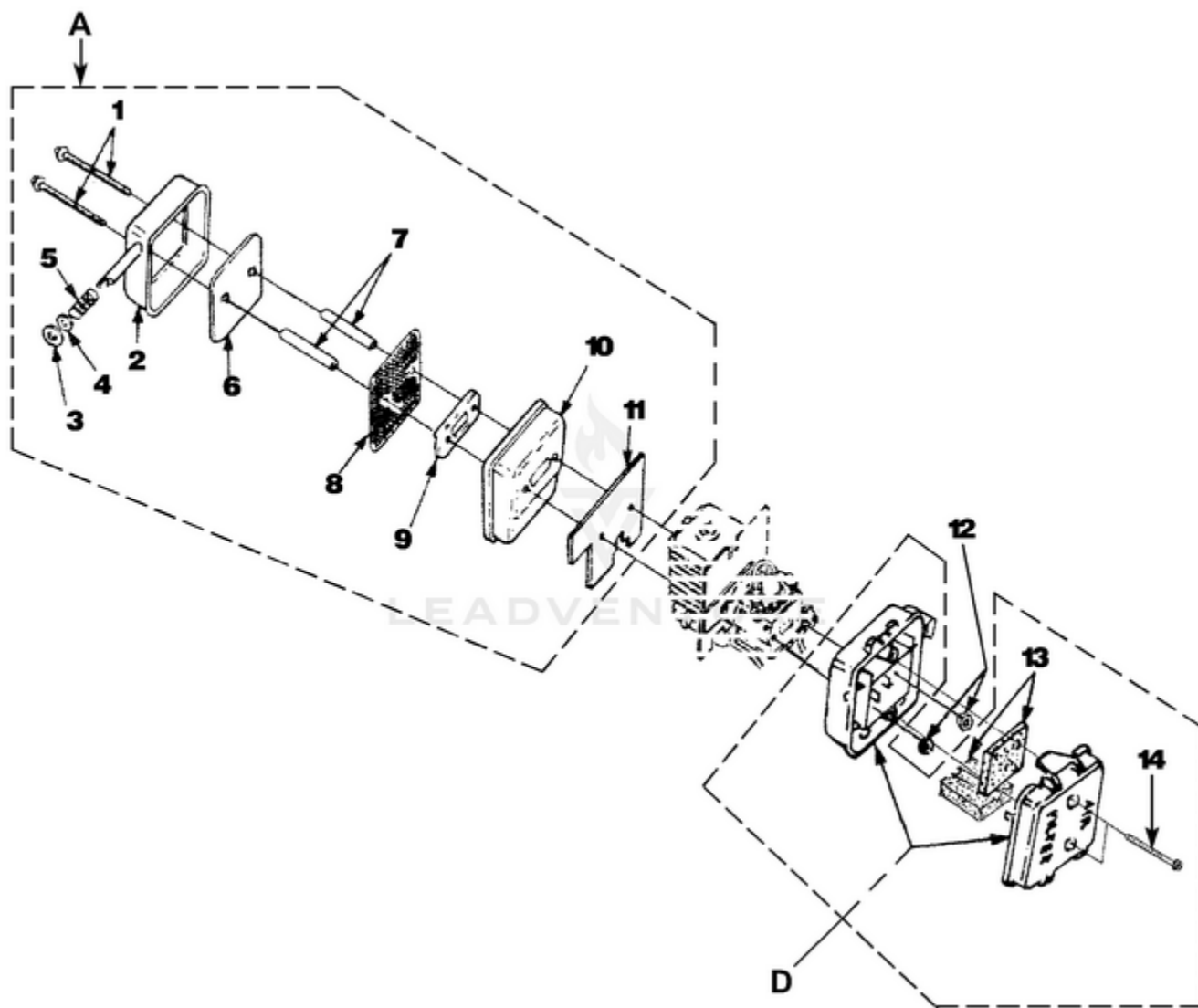
BX90 Blower UT-08042 - Ignition With Rotor



Rendered by LeadVenture, Inc.

| Ref # | Part # | Description | Qty | Context Note |
|--------------|---------------|-----------------------------------|------------|---|
| C | UP03858 | IGNITION KIT w/ Module | 1 | Includes items 1-2 |
| 1 | UP03868 | TERMINAL-Hi-Tension | 1 | |
| 2 | UP03883 | SPARK PLUG (RDJ-7Y) | 1 | Torque Specs 120-180 In/Lbs, 13.6-20.3 Nm. |
| 3 | A03924 | LEAD-Electrical | 1 | (BP250's, Backpacker & BP30185) |
| 4 | UP03896 | SCREW-Thread Form. (8-32 x 1") | 2 | Torque Specs 30-40 In/Lbs, 3.4-4.5 Nm. Required Loctite 242 Blue |
| 5 | UP03009 | ROTOR & STARTER PAWLS | 1 | |
| 6 | UP03906 | WASHER-Flat | 1 | |
| 7 | UP03854 | SPACER-Fan | 1 | |
| 8 | UP03874 | KEY-Woodruff | 1 | |

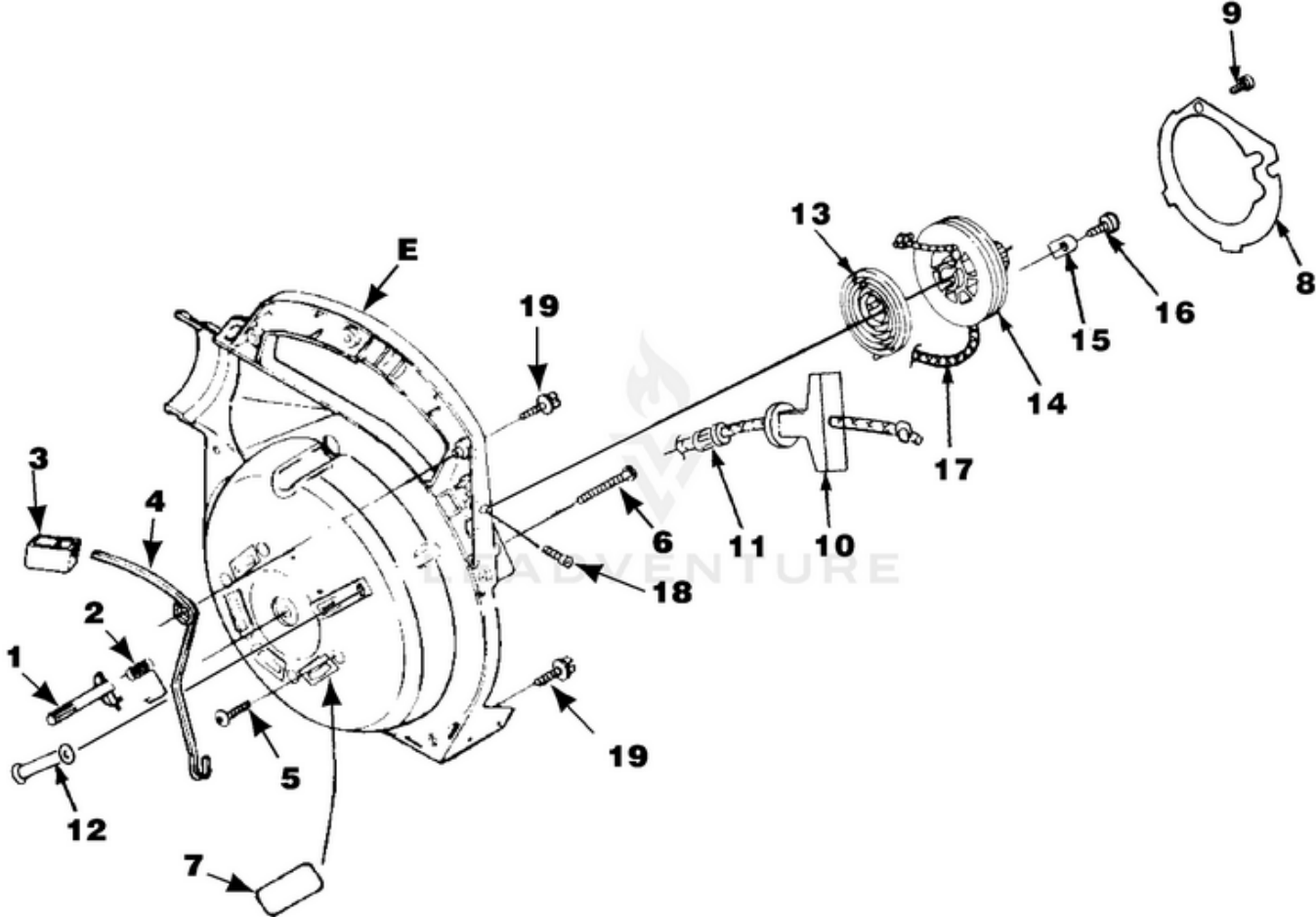
BX90 Blower UT-08042 - Muffler And Air Cleaner



Rendered by LeadVenture, Inc.

| Ref # | Part # | Description | Qty | Context Note |
|--------------|---------------|-------------------------------------|------------|---|
| A | UP04486 | MUFFLER-Complete | 1 | Includes items 1-11 |
| 1 | UP03902 | SCREW-Sems Hex Hd. (10-24 x 2 1/2") | 2 | Torque Specs 40-50 In/Lbs, 4.5-5.6 Nm. |
| 2 | UP03810 | MUFFLER COVER | 1 | |
| 3 | UP03813 | WASHER-Insulating | 1 | |
| 4 | UP03901 | WASHER-Flat | 1 | |
| 5 | UP03814 | SPRING-Compression | 1 | |
| 6 | UP04289 | DEFLECTOR-Muffler | 1 | |
| 7 | UP03860 | SPACER-Muffler | 1 | |
| 8 | UP03815 | SCREEN-Spark Arrestor | 1 | |
| 9 | UP03918 | PLATE-Reinforcing | 1 | |
| 10 | UP04305 | BODY-Muffler | 1 | |
| 11 | UP03817 | GASKET-Muffler | 1 | Also included with Short block & Cylinder Kits. |
| 12 | UP03885 | NUT-Hex (10-24) | 2 | Torque Specs 30-40 In/Lbs, 3.4-4.5 Nm. |
| D | UP00011 | AIR FILTER KIT | 1 | Includes items 13-14 |
| 13 | UP00012 | AIR FILTER | 1 | |
| 14 | UP03890 | SCREW-Thd. Form. (#8-16 x 3/4") | 2 | Torque Specs 30-40 In/Lbs, 3.4-4.5 Nm. |

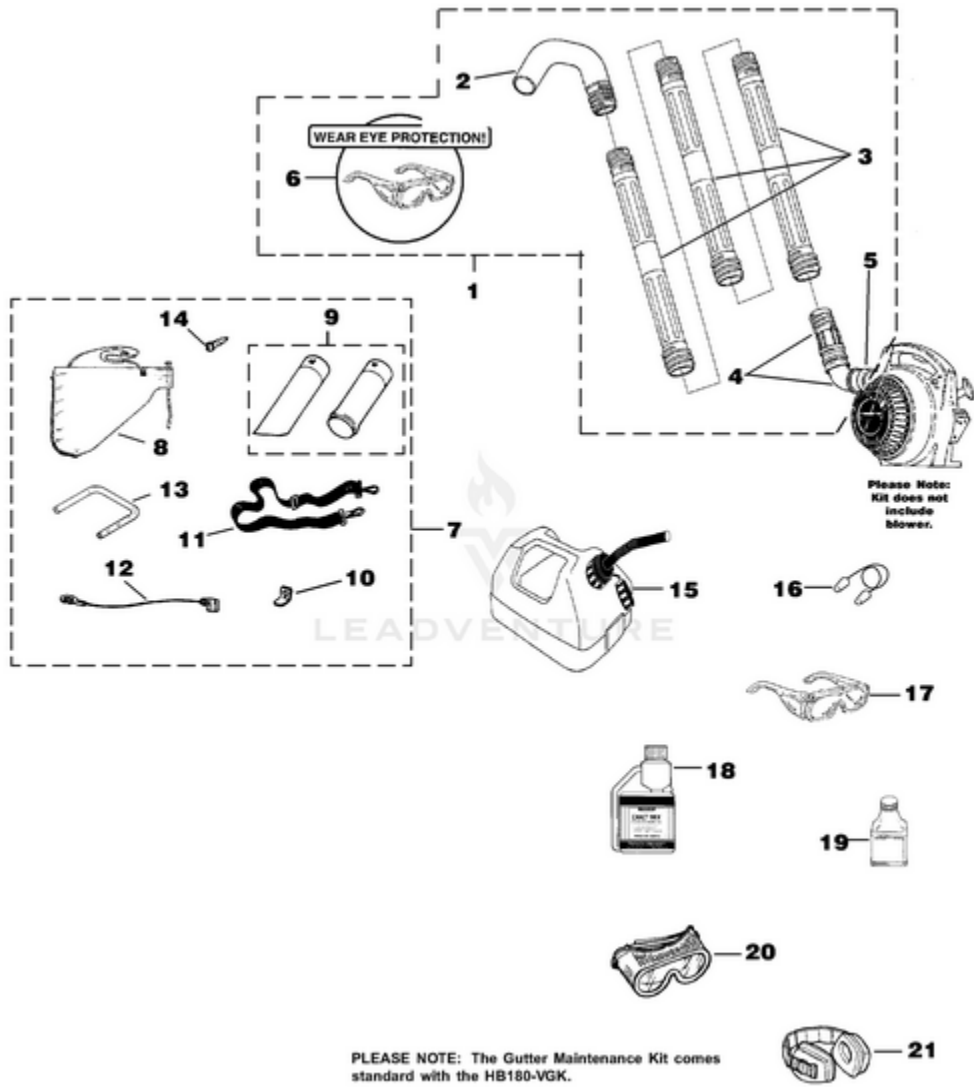
BX90 Blower UT-08042 - Starter



Rendered by LeadVenture, Inc.

| Ref # | Part # | Description | Qty | Context Note |
|--------------|---------------|-----------------------------------|------------|--|
| 1 | UP03800 | LATCH-Throttle | 1 | |
| 2 | UP03811 | SPRING-Throttle Latch | 1 | |
| 3 | UP03798 | TRIGGER-Throttle | 1 | |
| 4 | UP03803 | LEVER-Throttle | 1 | |
| 5 | UP03406 | SCREW-Thread Form. (10-24 X 3/4") | 4 | Torque Specs 55-60 In/Lbs, 6.2-6.8 Nm. |
| 6 | UP03869 | SCREW-Thread Form. (#10 X 1 5/8") | 1 | Torque Specs 20-30 In/Lbs, 2.3-3.4 Nm. |
| E | UP06792 | VOLUTE HOUSING & STARTER | 1 | Includes items 7-17 |
| 7 | UP03822 | KIT-Sealing | 1 | |
| 8 | UP04279 | PLATE-Rotor | 1 | |
| 9 | UP03894 | SCREW-Thread Form. (#6 X 1 3/8") | 1 | Torque Specs 8-12 In/Lbs, .9-1.4 Nm. |
| 10 | UP04276 | GRIP-Starter | 1 | |
| 11 | UP03910 | BUSHING-Starter | 1 | |
| 12 | UP03809 | BUSHING-Starter Rope | 1 | |
| 13 | UP03917 | SPRING & CONTAINER | 1 | |
| 14 | UP04349 | PULLEY-Starter | 1 | |
| 15 | UP03919 | BRACKET-Retaining | 2 | |
| 16 | UP03897 | SCREW-Thread Form. (#10 X 1/2") | 2 | Torque Specs 30-40 In/Lbs, 3.4-4.5 Nm. |
| 17 | UP03911 | ROPE-Starter | 1 | |
| 18 | UP03887 | SCREW-Phil. Hd. (8-32 X 5/8") | 1 | Torque Specs 20-30 In/Lbs, 2.3-3.4 Nm. |
| 19 | UP03900 | SCREW-Thread Form. (10-24 X 3/4") | 6 | Torque Specs 20-30 In/Lbs, 2.3-3.4 Nm. |

BX90 Blower UT-08042 - Tubes - Accessories



PLEASE NOTE: The Gutter Maintenance Kit comes standard with the HB180-VGK.

Rendered by LeadVenture, Inc.

| Ref # | Part # | Description | Qty | Context Note |
|-------|---------|---------------------------------------|-----|--|
| 1 | A02514D | GUTTER MAINTENANCE KIT | 1 | (HB100's, HB180's, HB25150, HB25150V, HB290's, HB390's); Includes items 2-6 |
| 2 | UP06830 | FULL ELBOW | 1 | |
| 3 | UP05618 | STRAIGHT TUBE | 3 | |
| 4 | UP06836 | UPPER ELBOW & SWIVEL ADAPTER | 1 | |
| 5 | UP03821 | CLAMP w/Fasteners | 1 | |
| 6 | UP06835 | SAFETY GLASSES-Clear | 1 | |
| 7 | UP04152 | VACUUM KIT | 1 | (HB180's, HB25150, HB25150V, HB290's, HB390's); Includes items 8-14 |
| 8 | UP04548 | LEAF BAG | 1 | |
| 9 | UP06705 | VACUUM TUBE KIT w/ Decal | 1 | |
| 10 | UP03834 | TAB-Male | 1 | |
| 11 | UP06723 | HARNESS-Shoulder | 1 | |
| 12 | UP03823 | LEAD-Ground | 1 | |
| 13 | UP03816 | HANDLE | 1 | |
| 14 | UP03889 | SCREW | 1 | |
| 15 | A02976A | GAS CAN 1 1/4 Gallon | | |
| 16 | UP06839 | EAR PLUGS | | |
| 17 | UP06835 | SAFETY GLASSES-Clear | | |
| 18 | 01231D | EXACT MIX(TM) Oil - 1 pint (50:1) | | |
| 19 | 08581 | EXACT MIX(TM) Oil - 2.6 oz. (50:1) | | |
| 20 | UP06778 | GOGGLES | | |
| 21 | UP07694 | EAR PROTECTORS | | |