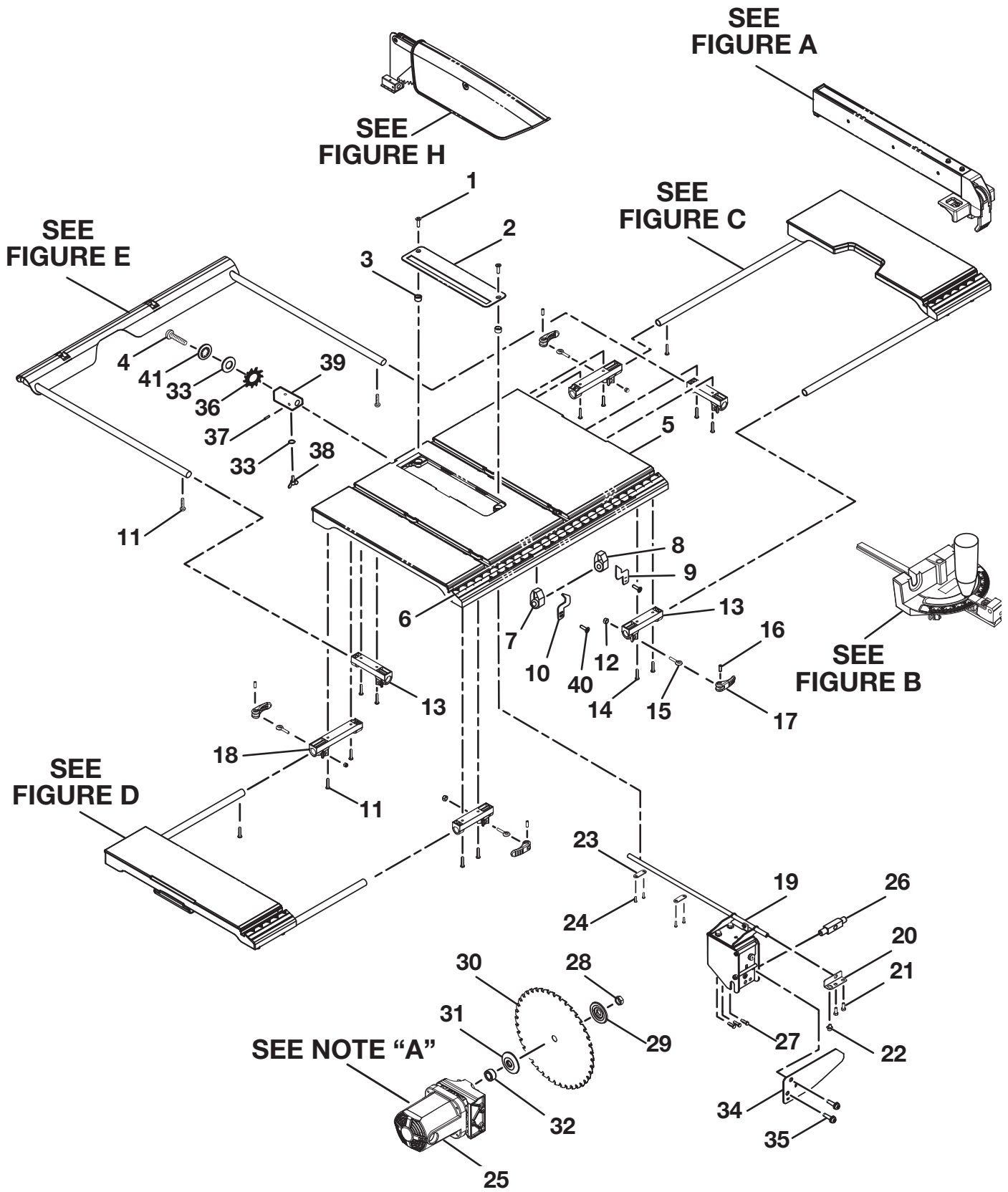


RYOBI 10 in. TABLE SAW – MODEL NUMBER BTS16



WARNING: Improper electrical repair of the table saw can result in damage to the drive system possibly causing electrical shock or electrocution. Any repairs requiring disassembly of your tool require safety testing and should only be performed by a Authorized Service Center.

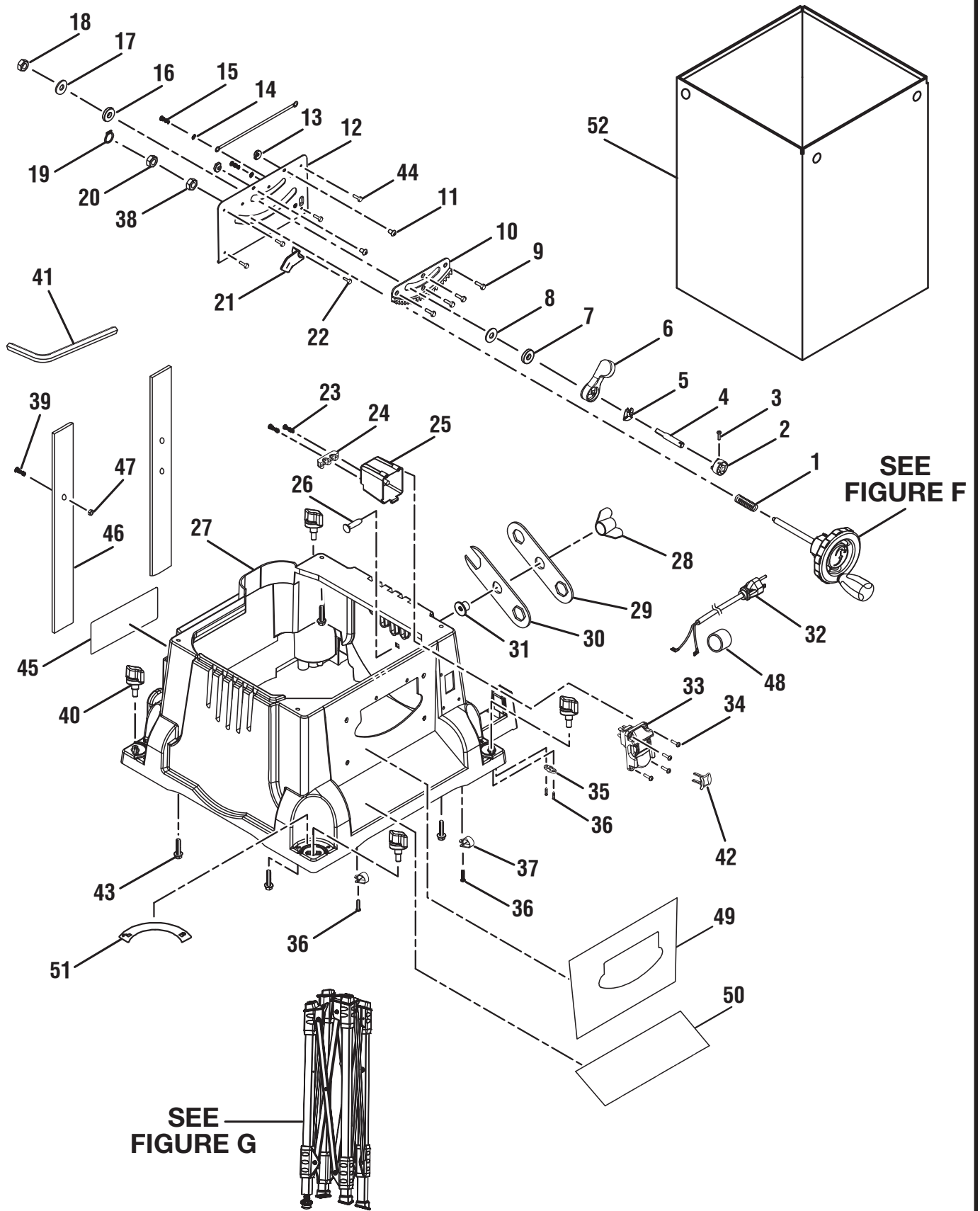
RYOBI 10 in. TABLE SAW – MODEL NUMBER BTS16

The model number will be found on a label attached to the motor housing. Always mention the model number in all correspondence regarding your **TABLE SAW** or when ordering repair parts.

PARTS LIST

KEY NO.	PART NUMBER	DESCRIPTION	QTY.
1	410101005	SCREW (M5 x 15 mm)	2
2	089110109001	THROAT PLATE	1
3	0121011301	THROAT PLATE ADJUSTING PAD	2
4	410151713	SCREW (1/4-20 x 46 mm, HEX HD.)	1
5	089110109002	SAW TABLE	1
6	089110109908	SCALE LABEL	1
7	0121010236	LEFT END PLUG	1
8	0121010237	RIGHT END PLUG	1
9	0121010318129	RIGHT SCALE INDICATOR	1
10	0121010319129	LEFT SCALE INDICATOR	1
11	410192001	SCREW (M4 x 10 mm)	8
12	411071003	NYLON NUT (M5)	4
13	0121010214	SHORT BRACKET	4
14	410171706	SCREW (10-24 x 1/2 in.)	8
15	0121010903	AUXILARY TABLE CLAMPING HANDLE SCREW	4
16	414011033	SPRING PIN (D5 x 18 mm)	4
17	0121010211	TABLE LOCKING LEVER	4
18	0121010215	OUTFEED ROD PRIMARY BRACKET	2
19	A121014301	MOTOR BRACKET ASSEMBLY	1
20	0121010314	ADJUSTING PLATE	1
21	410371002	SCREW (M6 x 15 mm, HEX w/WASHER)	2
22	0121010901	ECCENTRIC ROLLER	1
23	0121010313	PIVOT BRACKET PLATE	2
24	410341006	SCREW (M6 x 12 mm, HEX w/WASHER)	4
25	089110109707	MOTOR ASSEMBLY	1
26	0121010902	GLIDER	1
27	410161001	SCREW (M6 x 15 mm HEX - TOOTH HD.)	3
28	0131010912	BLADE NUT (5/8-18NF-2B)	1
29	0101010302	OUTER BLADE WASHER	1
30	422010025	BLADE	1
31	0121010502	INNER BLADE WASHER	1
32	0121010501	SPACER	1
33	412011701	WASHER (1/4 in. x 16 x 1t)	2
34	0121010321	FRONT GUARD	1
35	410251018	BOLT (M6 x 8 mm)	2
36	412042702	LOCK WASHER (1/4 in., EXTERNAL TOOTH)	1
37	410079021	SCREW (M5 x 6 mm SOC.)	1
38	0121010802	WING SCREW (M6 x 16 mm)	1
39	0121010105	BLOCK	1
40	410602002	SCREW (M4 x 25 mm)	2
41	412032701	LOCK WASHER (1/4 in., INTERNAL TOOTH)	1
42	0121010317	DADO THROAT PLATE (NOT SHOWN)	1

RYOBI 10 in. TABLE SAW – MODEL NUMBER BTS16



WARNING: Improper electrical repair of the table saw can result in damage to the drive system possibly causing electrical shock or electrocution. Any repairs requiring disassembly of your tool require safety testing and should only be performed by a Authorized Service Center.

RYOBI 10 in. TABLE SAW – MODEL NUMBER BTS16

The model number will be found on a label attached to the motor housing. Always mention the model number in all correspondence regarding your **TABLE SAW** or when ordering repair parts.

KEY NO.	PART NUMBER	PARTS LIST DESCRIPTION	QTY.
1	0121010919	COMPRESSION SPRING	1
2	0134010224	CAM	1
3	410138743	SCREW (8-32 x 1 in.)	1
4	0121010906	LOCKING SCREW (SS41).....	1
5	0134010316	LOCKING SHIM (SUS310)	1
6	0121010220	BEVEL LOCKING LEVER.....	1
7	0134011301	RUBBER PAD (NRB70)	1
8	412011113	WASHER (D10 x D21 x 2t)	1
9	410181001	SCREW (M4 x 7 mm)	4
10	0121010219	GEAR RACK.....	1
11	410499007	SCREW (M5 x 8 mm, HEX HD.)	2
12	0121010316	FRONT CABINET SUPPORT PLATE.....	1
13	0121010315	CAM	2
14	412042002	WASHER (D4).....	2
15	410134005	SCREW (M4 x 5 mm, PAN HD.)	2
16	412011113	WASHER (M10 x 21 x 2t)	1
17	0121010230	LOCKING RING	1
18	411071004	NUT (M10).....	1
19	411071707	LOCK NUT (1/4-20).....	1
20	411011707	NUT (1/4-20 x 5.5t)	2
21	0121010206	BEVEL INDICATOR	1
22	410271006	SCREW w/S WASHER (M4 x 12 mm).....	1
23	0000120817	SCREW (8-16 x 19.05 mm, PAN HD.).....	2
24	0131010210	CORD CLAMP	1
25	0131010209	SWITCH BOX.....	1
26	410031710	CARRIAGE BOLT (5/16-18 x 1-1/2 in.)	1
27	089110109912	CABINET w/LABELS.....	1
28	0131020211	WING NUT	1
29	0131010318	BLADE WRENCH.....	1
30	0134010331	BLADE WRENCH (21 mm OPEN x 10 mm CLOSED).....	1
31	0134010238	KNOB RING	1
32	0121010701	POWER CORD.....	1
33	452080007	SWITCH ASSEMBLY w/KEY.....	1
34	410601001	SCREW (M4 x 20 mm)	4
35	0101040203	CORD CLAMP	1
36	410561002	SCREW (M4 x 16 mm)	4
37	0301030202	WIRE CLAMP	2
38	0101010908	SPECIAL NUT (3/8-16 x 3.8 mm).....	2
39	416090001	PIN (4.8 x 1/2 in.).....	2
40	0121010229	LOCKING KNOB	4
41	0101140903	HEX KEY (M5 x 75 mm)	1
42	0131010243	SWITCH KEY	1
43	410161010	SCREW (M6 x 25 mm HEX HD.)	4
44	410181001	SCREW (M4 x 7 mm)	5
45	089110109907	DATA LABEL.....	1
46	0121015002	VELCRO TAPE	2
47	412011109	WASHER (5.2 x 24 x 2t)	2
48	0121010235	POWER CORD BUSHING	1
49	089110109010	FRONT PANEL BEVEL SCALE LABEL	1
50	089110109900	WARNING LABEL	1
51	9121015335701	LEG KNOB LABEL	4
52	089110109015	DUST BAG	1

RYOBI 10 in. TABLE SAW – MODEL NUMBER BTS16

The model number will be found on a label attached to the motor housing. Always mention the model number in all correspondence regarding your **TABLE SAW** or when ordering repair parts.

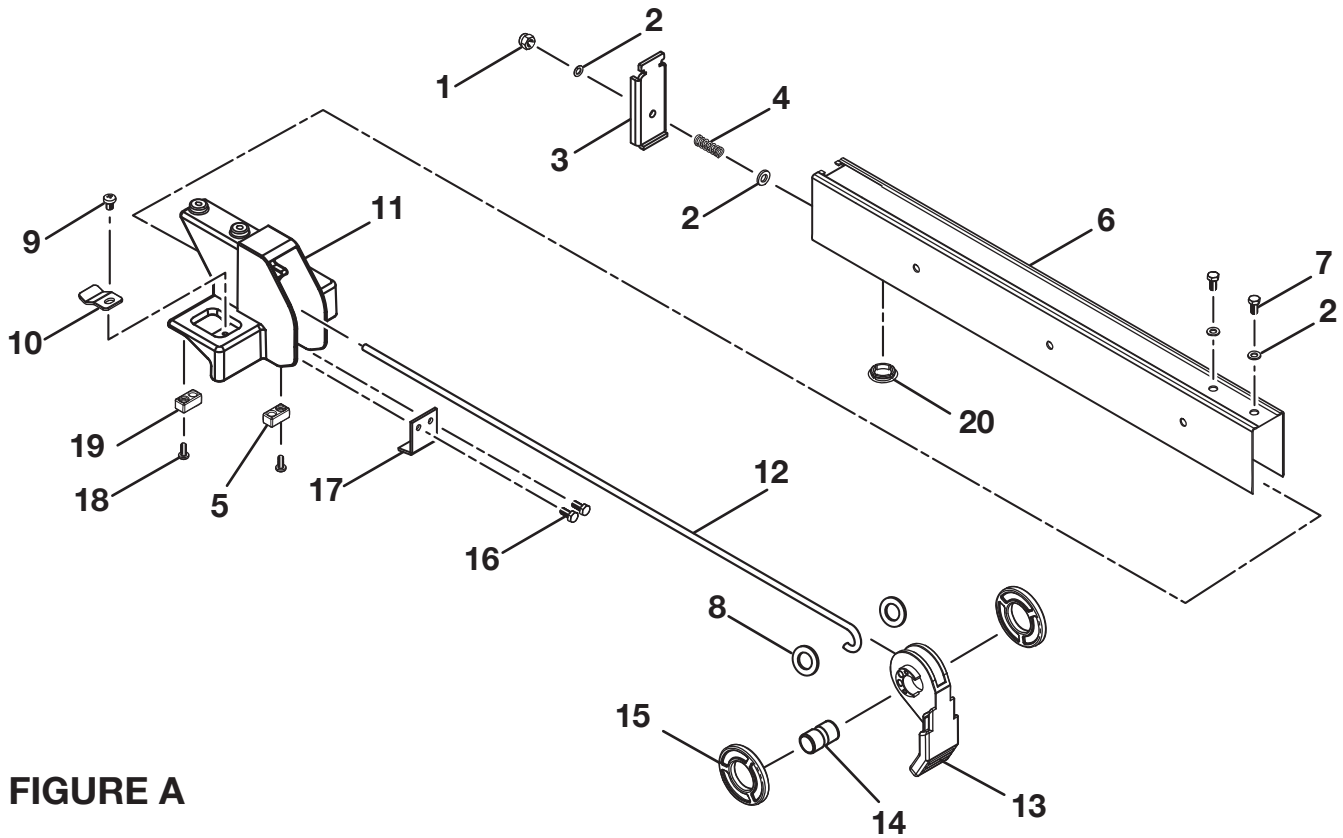


FIGURE A

PARTS LIST FOR FIGURE A

KEY NO.	PART NUMBER	DESCRIPTION	QTY.
1	411071001	NYLON NUT (M6).....	1
2	412011030	WASHER (D6.5 x D16 x 1.5t)	4
3	0121010310	REAR CLAMPING PLATE.....	1
4	0121010915	COMPRESSION SPRING.....	1
5	0121010234	RIGHT SLIDER (FRONT BLOCK)	1
6	0121011801	RIP FENCE	1
7	410051001	SCREW (M6 x 15 mm, TRUSS HD.).....	2
8	412011115	WASHER (D16 x D25 x 1.5t)	2
9	410541003	SCREW (M4 x 10 mm, TRUSS HD.).....	1
10	0121010207	INDICATOR.....	1
11	089110109025	FRONT BLOCK	1
12	0121010917	ROD.....	1
13	0121010218	LOCKING LEVER	1
14	0134010241	AXLE.....	1
15	0121010210	RING PAD.....	2
16	410431701	SCREW (10-24 x 3/8 in., TRUSS HD.)	2
17	0121010320	FRONT CLAMPING PLATE	1
18	410131723	SCREW (8-32 x 9.5 mm FLAT HD.).....	2
19	0121010233	LEFT SLIDER (FRONT BLOCK).....	1
20	0121010209	RIP FENCE SLIDER.....	2
	089110109700	RIP FENCE ASSEMBLY (INC. KEY NOS. 1-20)	1

RYOBI 10 in. TABLE SAW – MODEL NUMBER BTS16

The model number will be found on a label attached to the motor housing. Always mention the model number in all correspondence regarding your **TABLE SAW** or when ordering repair parts.

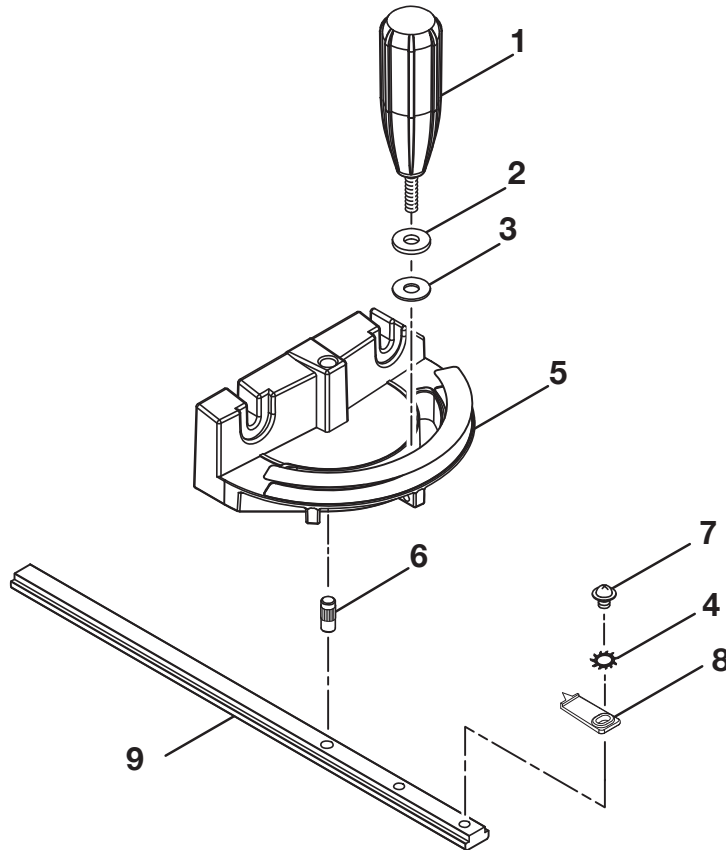


FIGURE B

PARTS LIST FOR FIGURE B

KEY NO.	PART NUMBER	DESCRIPTION	QTY.
1	080015001659	KNOB.....	1
2	089110109034	WASHER (1/4 in. x 16 x 1.5T).....	1
3	080015001475	NYLON WASHER	1
4	412042702	LOCK WASHER (1/4 in., EXTERNAL TOOTH).....	1
5	089015001033	MITER GAUGE BASE	1
6	089015001010	CENTER PIN (1/4 in.).....	1
7	080015001562	SCREW (M4 x 10 mm).....	1
8	089015001563	INDICATOR.....	1
9	089110109035	MITER GAUGE ROD.....	1
	089110109704	MITER GAUGE ASSEMBLY (INC. KEY NOS. 1-9).....	1

RYOBI 10 in. TABLE SAW – MODEL NUMBER BTS16

The model number will be found on a label attached to the motor housing. Always mention the model number in all correspondence regarding your **TABLE SAW** or when ordering repair parts.

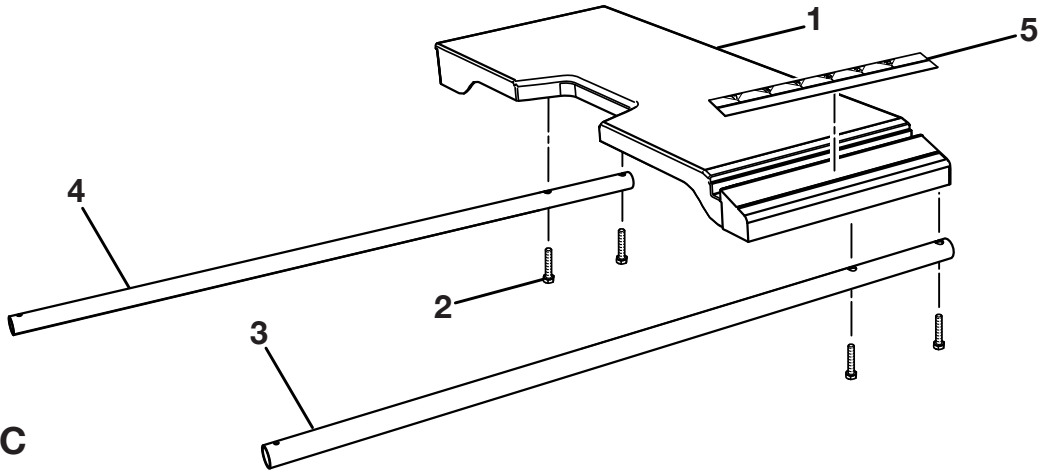


FIGURE C

PARTS LIST FOR FIGURE C

KEY NO.	PART NUMBER	DESCRIPTION	QTY.
1	089110109021	RIGHT SLIDING TABLE EXTENSION	1
2	410171710	SCREW (10-24 x 1 in.).....	4
3	0121010909	FRONT ROD, RIGHT SLIDING TABLE EXTENSION.....	1
4	0121010910	REAR ROD, RIGHT SLIDING TABLE EXTENSION	1
5	089110109908	SCALE LABEL	1
	089110109702	RIGHT SLIDING TABLE ASSEMBLY (INC. KEY NOS. 1-5).....	1

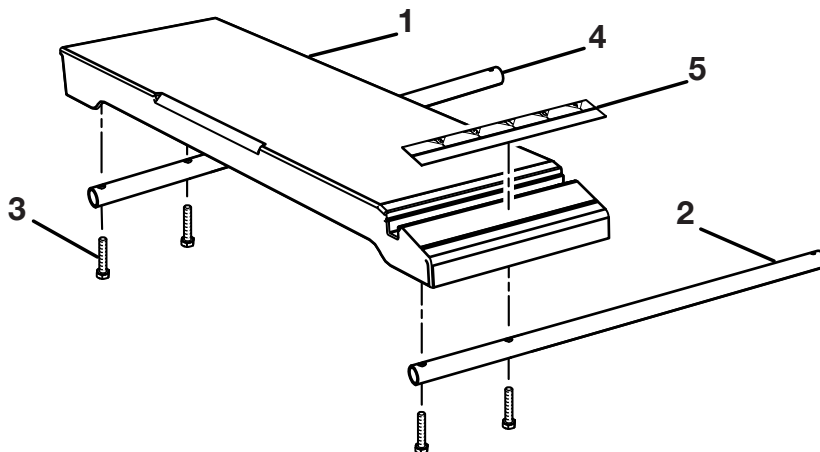


FIGURE D

PARTS LIST FOR FIGURE D

KEY NO.	PART NUMBER	DESCRIPTION	QTY.
1	089110109020	LEFT SLIDING TABLE EXTENSION	1
2	0121010907	FRONT ROD, LEFT SLIDING TABLE EXTENSION.....	1
3	410171710	SCREW (10-24 x 1 in.).....	4
4	0121010908	REAR ROD, LEFT SLIDING TABLE EXTENSION	1
5	089110109908	SCALE LABEL.....	1
	089110109703	LEFT SLIDING TABLE ASSEMBLY (INC. KEY NOS. 1-5).....	1

RYOBI 10 in. TABLE SAW – MODEL NUMBER BTS16

The model number will be found on a label attached to the motor housing. Always mention the model number in all correspondence regarding your **TABLE SAW** or when ordering repair parts.

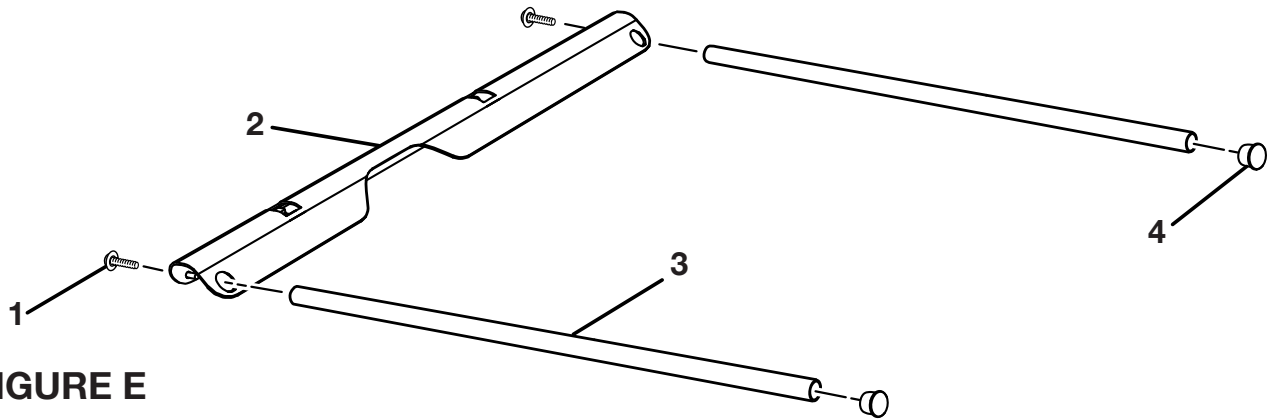


FIGURE E

PARTS LIST FOR FIGURE E

KEY NO.	PART NUMBER	DESCRIPTION	QTY.
1	410551701	SCREW w/FLAT WASHER (1/4-20 x 1/2 in. TRUSS HD.).....	2
2	0121010308-58	OUTFEED SUPPORT	1
3	089110109033	OUTFEED SUPPORT ROD	2
4	0121010217	OUTFEED SUPPORT PLUG.....	2
	089110109714	OUTFEED SUPPORT ASSEMBLY (INC. KEY NOS. 1-4)	1

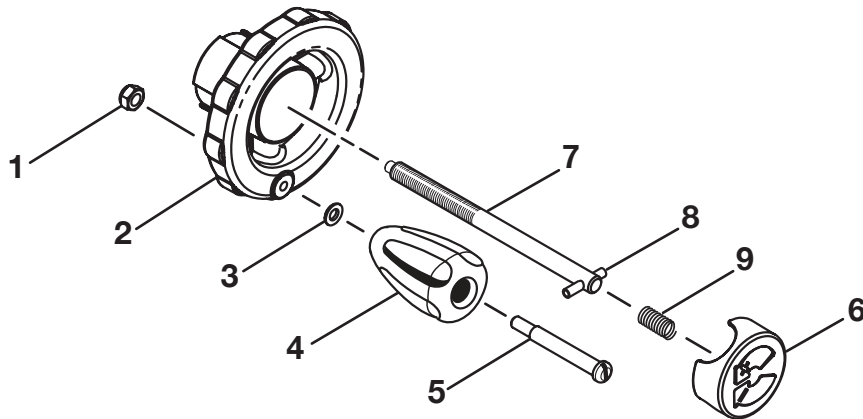


FIGURE F

PARTS LIST FOR FIGURE F

KEY NO.	PART NUMBER	DESCRIPTION	QTY.
1	0000110812	NYLON NUT (1/4-20).....	1
2	089110109006	HEIGHT/BEVEL ADJUSTING HANDWHEEL	1
3	412012041	WASHER (D6.5 x D13 x 1.5t).....	1
4	0131020212	BEVEL HANDLE	1
5	0101140203	SPECIAL HAND WHEEL SCREW.....	1
6	089110109005	END CAP	1
7	0121010913	ROD	1
8	414011003	SPRING PIN (D4 x 20 mm)	1
	089110109708	HEIGHT/BEVEL ADJUSTING HANDWHEEL ASSEMBLY (INC. KEY NOS. 1-9).....	1
9	0121010919	COMPRESSION SPRING.....	1
	089110109709	BEVEL HANDLE ASSEMBLY (INC. KEY NOS. 1, 3-5).....	1

RYOBI 10 in. TABLE SAW – MODEL NUMBER BTS16

The model number will be found on a label attached to the motor housing. Always mention the model number in all correspondence regarding your **TABLE SAW** or when ordering repair parts.

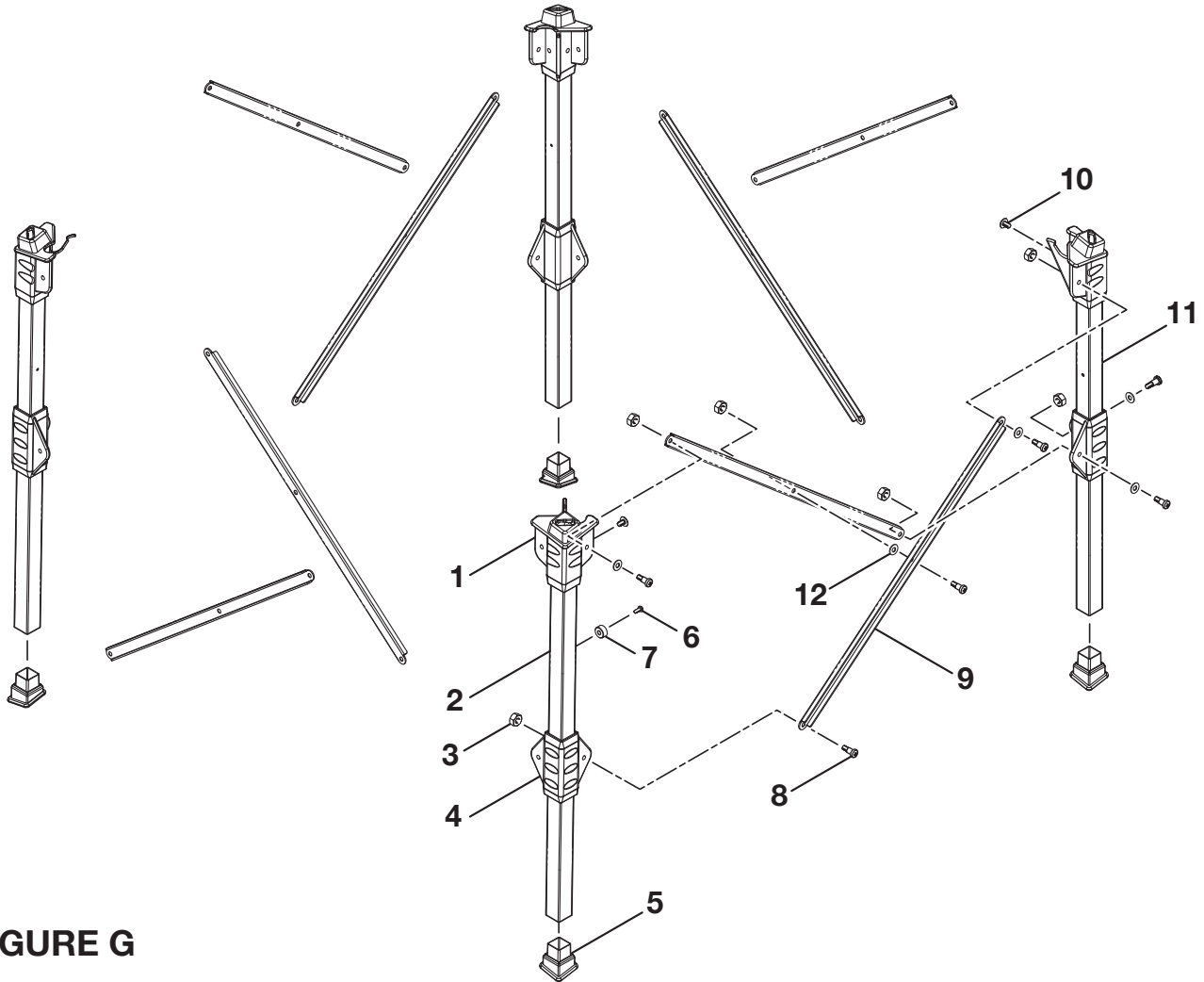


FIGURE G

PARTS LIST FOR FIGURE G

KEY NO.	PART NUMBER	DESCRIPTION	QTY.
1	0121010203	UPPER CONNECTOR BRACKET	4
2	089110109027	LEG (A)	3
3	411071003	NYLON NUT (M5).....	20
4	0121010205	LEG ADAPTOR (LOWER CONNECTOR BRACKET).....	4
5	0121010213	LEG END PLUG	4
6	410191003	SCREW (M4 x 12 mm)	1
7	0121010228	RING.....	1
8	0121010804	SCREW	20
9	089110109028	LINKAGE	8
10	410451016	SCREW (M6 x 10 mm, PAN HD.)	4
11	089110109029	LEG (B)	1
12	0121010226	LINKAGE RING	4
	089110109705	QUICK STAND™ (LEG STAND) ASSEMBLY (INC. KEY NOS. 1-12)	1

RYOBI 10 in. TABLE SAW – MODEL NUMBER BTS16

The model number will be found on a label attached to the motor housing. Always mention the model number in all correspondence regarding your **TABLE SAW** or when ordering repair parts.

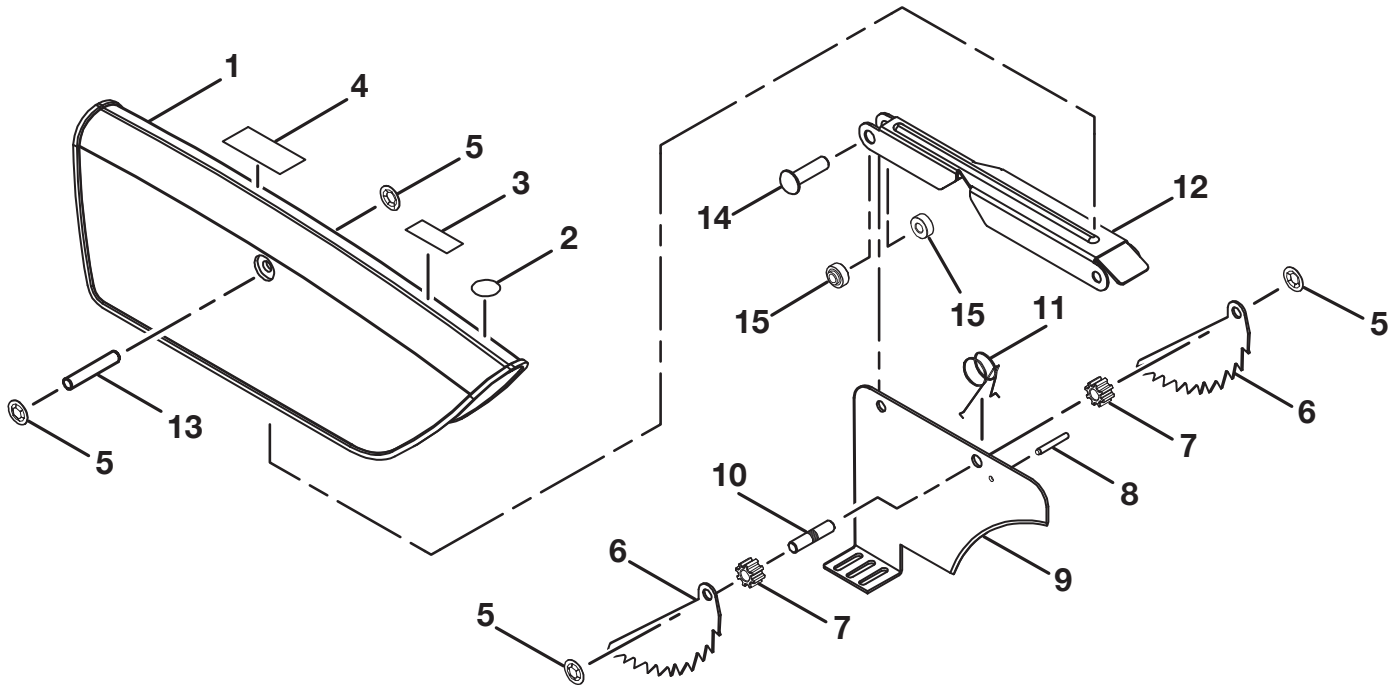


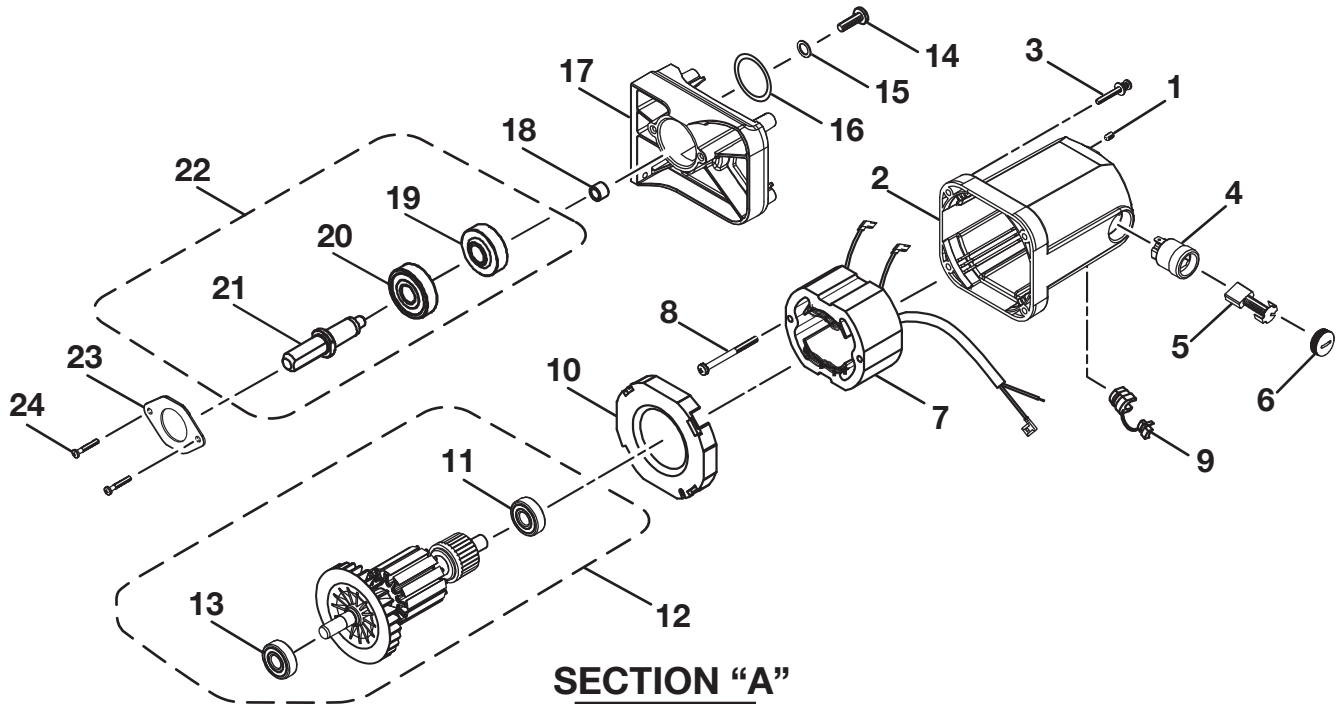
FIGURE H

PARTS LIST FOR FIGURE H

KEY NO.	PART NUMBER	DESCRIPTION	QTY.
	089110109706	BLADE GUARD ASSEMBLY (INC. KEY NOS. 1-15).....	1
1	089110109022	BLADE GUARD.....	1
2	9182015330202	HAND WARNING LABEL.....	1
3	089110110900	BLADE ROTATION LABEL.....	1
4	9181015330203	BLADE GUARD WARNING LABEL.....	1
5	411101702	LOCKING NUT (5/16 in.).....	4
6	0181010303	ANTI-KICK BACK FINGERS.....	2
7	0134010207	ANTI-KICK BACK FINGERS SHIM.....	2
8	414011014	SPRING PIN (D4 x 30 mm).....	1
9	0121010306	SPREADER.....	1
10	414051701	PIN (5/16 x 34.5 mm).....	1
11	0121010914	SPRING.....	1
12	0121010307	ARM.....	1
13	414050004	PIN (5/16 in. x 44.5 mm).....	1
14	0134010913	RIVET.....	1
15	0134010208	ARM SHIM.....	2
	987000093	OPERATOR'S MANUAL	
	7-25-11		
	(REV:05)		

RYOBI 10 in. TABLE SAW – MODEL NUMBER BTS16

The model number will be found on a label attached to the motor housing. Always mention the model number in all correspondence regarding your **TABLE SAW** or when ordering repair parts.



PARTS LIST FOR SECTION "A"

KEY PART NO.	PART NUMBER	DESCRIPTION	QTY.	KEY PART NO.	PART NUMBER	DESCRIPTION	QTY.
	089110109707	MOTOR ASSEMBLY (INC. KEY NOS. 1-26 and 28)		12	089110109710	ARMATURE ASSEMBLY (INC. KEY NOS. 11 and 13).....	1
1	410071005	SOCKET SCREW (M5 x 8 mm).....	2	13	420010001-A	BALL BEARING (6201LLU).....	1
2	0134010201	MOTOR HOUSING.....	1	14	410174721	SCREW (8-32 x 3/8 in. PAN HD.).....	1
3	410271701	SCREW w/WASHER (3/16-32 x 1-3/8 in. PAN HD.)....	4	15	412042002	WASHER.....	1
4	0121010231	BRUSH SET.....	2	16	441010012	"O" RING (D29.6 X 1.2).....	1
5	0502025007	BRUSH (7 x 17 x 19/17).....	2	17	089110109016	GEAR BOX.....	1
6	0121010238	BRUSH CAP.....	2	18	420110004	NEEDLE BEARING.....	1
7	A121010401	FIELD ASSEMBLY.....	1	19	089110109017	REDUCTION GEAR.....	1
8	410581001	SCREW w/WASHER (M5 x 60 mm, PAN HD.).....	2	20	089110109031	BALL BEARING (1633zz).....	1
9	451010003	STRAIN RELIEF.....	1	21	089110109018	ARBOR.....	1
10	0134010202	BAFFLE.....	1	22	089110109711	ARBOR SHAFT ASSEMBLY (INC. KEY NOS. 19-21).....	1
11	420010004	BALL BEARING (6200LLU).....	1	23	0134010343	ARBOR PLATE.....	1
				24	410251011	SCREW w/S WASHER (M5 x 12 mm, PAN HD.).....	2

SECTION "A" REPRESENTS AN IMPORTANT PART OF THE DOUBLE INSULATED SYSTEM OF THIS TOOL. ANY REPAIR TO THIS TOOL REQUIRES DIELECTRIC TESTING TO INSURE CUSTOMER SAFETY AND TO COMPLY WITH COMPANY REQUIREMENTS.