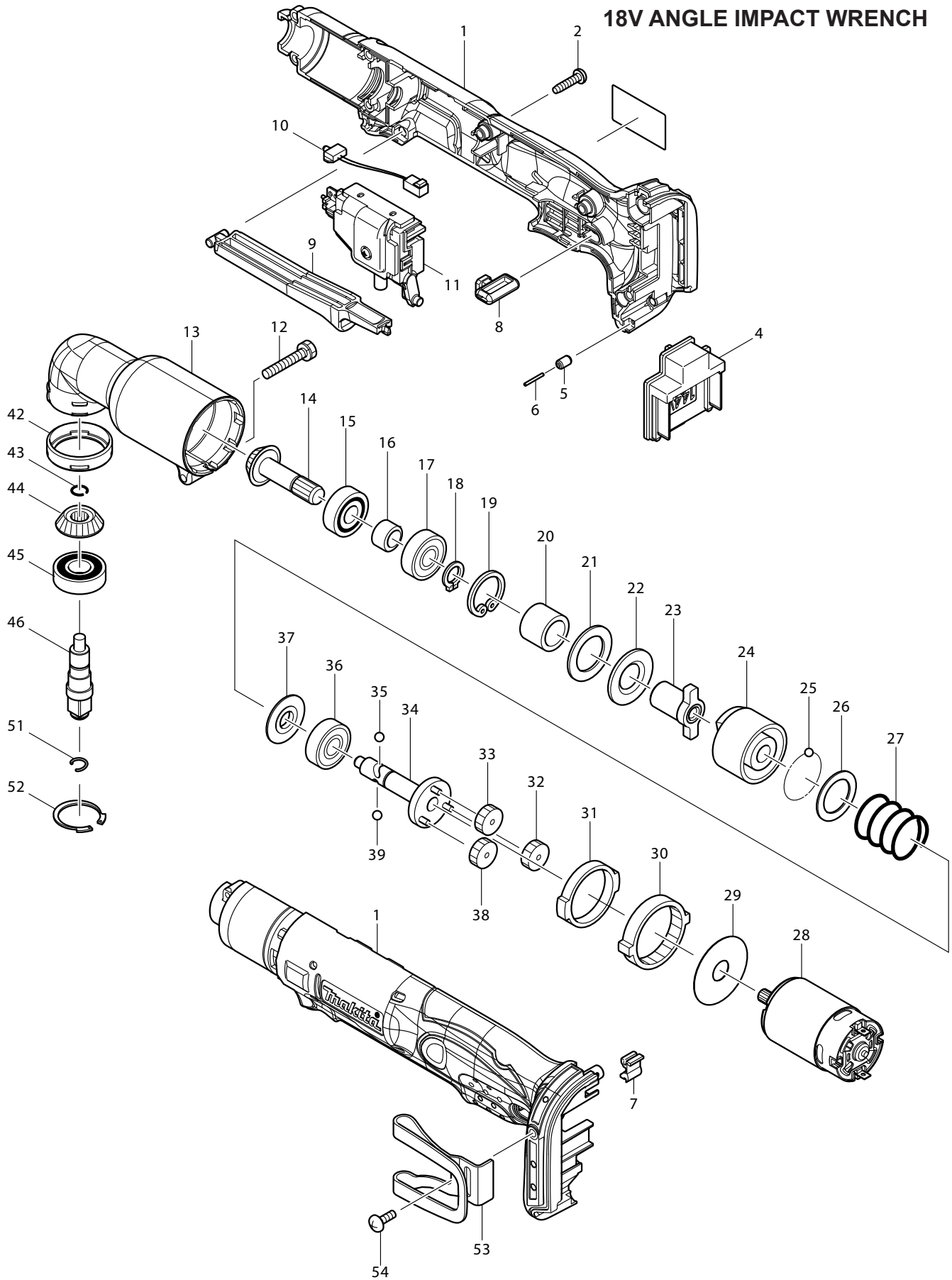




11 - 2007  
BTL062Z  
14.4V ANGLE IMPACT WRENCH  
BTL063Z  
18V ANGLE IMPACT WRENCH



Item #	Part#	Description	Q'ty	Unit
1	188394-4	HOUSING SET(BTL062Z) (INCLUDES 2X263005-3 - RUBBER PIN 6)	1	SET
	188395-2	HOUSING SET(BTL063Z) (INCLUDES 2X263005-3 - RUBBER PIN 6)	1	SET
2	265995-6	TAPPING SCREW 4X18	8	PC.
4	643811-6	TERMINAL(BTL062Z)	1	PC.
	643812-4	TERMINAL(BTL063Z)	1	PC.
5	263036-2	RUBBER PIN 5	1	PC.
6	268184-2	PIN 1.5	1	PC.
7	424026-2	CUSHION	1	PC.
8	450126-2	FR CHANGE LEVER	1	PC.
9	450125-4	SWITCH LEVER	1	PC.
10	631778-0	LED CIRCUIT	1	PC.
11	650594-1	SWITCH C3HY-1A-PLM, SINGLE, VAR	1	PC.
12	265409-5	+ HEX. BOLT M5X30	1	PC.
13	152461-1	ANGLE HEAD COM	1	PC.
14	226720-0	ZEROL BEVEL GEAR 13	1	PC.
15	211064-1	BALL BEARING 6000	1	PC.
16	257660-1	SLEEVE 10	1	PC.
17	211061-7	BALL BEARING 6000LLB	1	PC.
18	961006-2	RETAINING RING S-10	1	PC.
19	962105-3	RETAINING RING R-26	1	PC.
20	257662-7	SLEEVE 15	1	PC.
21	261095-0	RUBBER WASHER 21	1	PC.
22	267120-5	FLAT WASHER 15	1	PC.
23	322689-7	ANVIL	1	PC.
24	322688-9	HAMMER	1	PC.
25	216001-0	STEEL BALL 3.5	22	PC.
26	267121-3	FLAT WASHER 20	1	PC.
27	233107-9	COMPRESSION SPRING 22	1	PC.
28	629844-5	DC MOTOR(BTL062Z)	1	PC.
	629846-1	DC MOTOR(BTL063Z)	1	PC.
29	267053-4	FLAT WASHER 12	1	PC.
30	226280-2	INTERNAL GEAR 69	1	PC.
31	257187-1	RING 32	1	PC.
32	226279-7	SPUR GEAR 29	1	PC.
33	226279-7	SPUR GEAR 29	1	PC.
34	154416-2	SPINDLE COM	1	PC.
35	216002-8	STEEL BALL 4.8	1	PC.
36	211064-1	BALL BEARING 6000	1	PC.
37	322719-4	WASHER 10	1	PC.
38	226279-7	SPUR GEAR 29	1	PC.
39	216002-8	STEEL BALL 4.8	1	PC.
42	424044-0	RUBBER RING 32	1	PC.
43	231990-8	RING SPRING 9	1	PC.
44	226721-8	ZEROL BEVEL GEAR 13	1	PC.
45	211131-2	BALL BEARING 6001DDW	1	PC.
46	324026-1	SPINDLE	1	PC.
51	231964-9	RING SPRING 7	1	PC.

2 MODEL BTL062Z

2 MODEL BTL063Z

Item #	Part#	Description	Q'ty	Unit
52	962116-8	RETAINING RING R-28	1	PC.
100	324705-1	HOOK	1	PC.
101	251314-2	+ SCREW M4X12	1	PC.

**ACCESSORIES**

A01	194066-1	14.4V LI-ION BATTERY BL1430(BTL062Z)	1	PC.
	194397-8	14.4V LI-ION BATTERY BL1430, 2/PK(BTL062Z)	2	PK
	194205-3	18V LI-ION BATTERY BL1830(BTL063Z)	1	PC.
	194230-4	18V LI-ION BATTERY BL1830, 2/PK(BTL063Z)	2	PK
A02	DC18RA	DC18RA FAST CHARGER	1	PC.
A03	824816-7	PLASTIC CARRYING CASE (INCLUDES 2X163455-1 - LATCH & 419360-3 - HANDLE)	1	PC.

3 MODEL BTL062K

3 MODEL BTL063Z