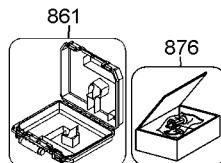
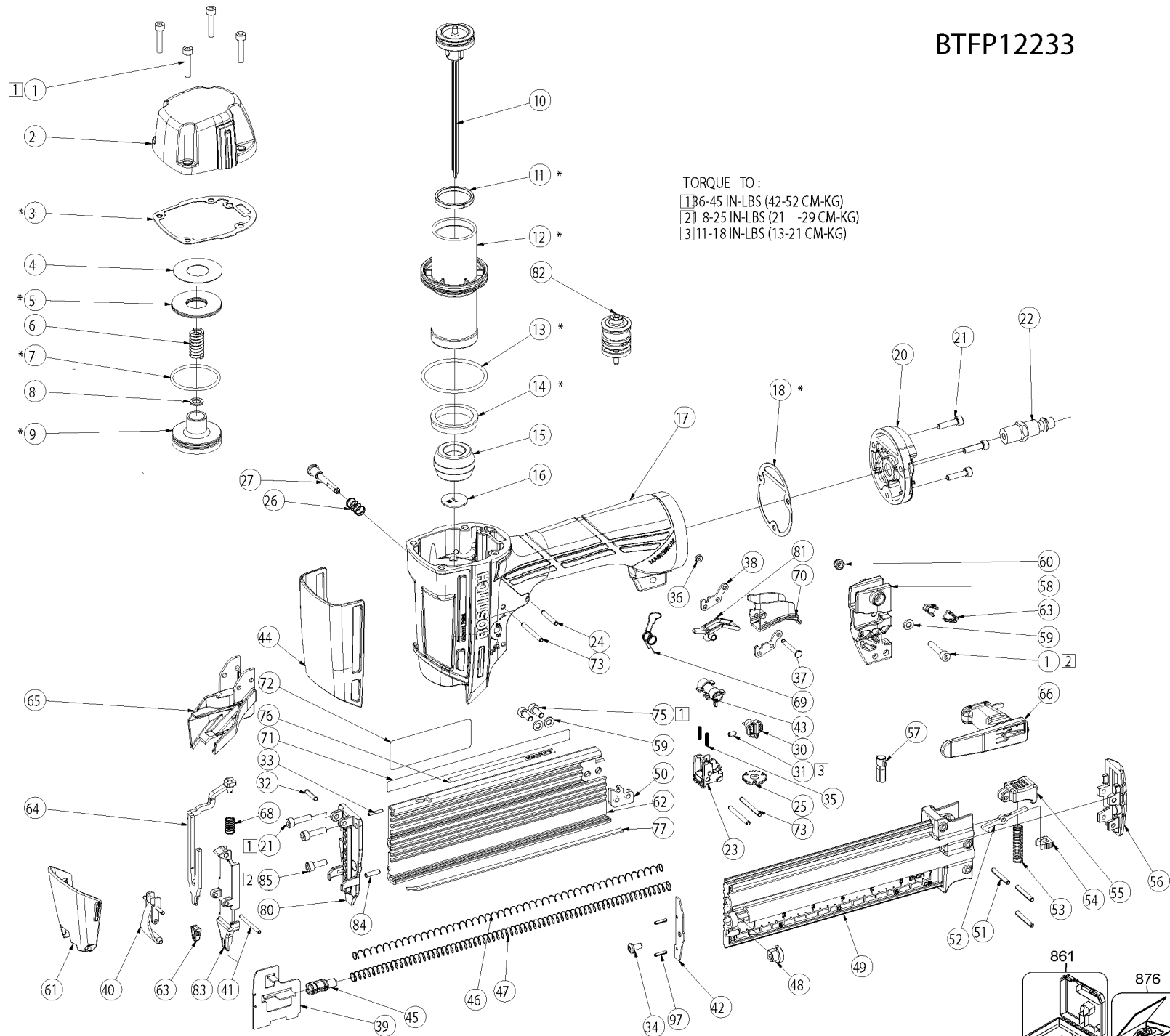


BTFP12233



## Parts List for BTFP12233 Type 15150000 and higher

Item Number	Part Number	Description	Qty Required
1	182237	SCREW	5
2	9R196714	CAP ASSEMBLY	1
3	9R196715	FRAME/CAP GASKET	1
4	180445	PLATE	1
5	180446	SEAL	1
6	180447	SPRING	1
7	180448	O RING	1
8	180449	WASHER FLAT	1
9	180450-S	HEAD VALVE BODY	1
10	180451	ASSEMBLY-PISTON/DRIV	1
11	180457	RING-PISTON	1
12	180458	SLEEVE-CYLINDER	1
13	180459	O-RING-44.7MMX2.4MM	1
14	180460	CHECK SEAL	1
15	180461	BUMPER	1
16	180462	DRIVER GUIDE	1
17	9R196723	FRAME	1
18	180463	GASKET-END CAP	1
20	180465	END CAP	1
21	MSC4070-16	SCREW-SHCS-M4X0.7X16	5
22	152183	CONNECTOR MALE 1/4NP	1
23	9R198774	GUIDE	1
24	180475	PIN-SPRING-M3X20MM	1
25	9R198779	ADJUSTING DIAL	1
26	180481	SPRING-MODE SWITCH	1
27	9R195255	MODE SWITCH PIN	1
30	9R195254	MODE SWITCH BUTTON	1

## Parts List for BTFP12233 Type 15150000 and higher

Item Number	Part Number	Description	Qty Required
31	9R198788	SET SCREW	1
32	192046	SPRING PIN	1
33	180490	PIN SPRING	1
34	9R196691	SCREW, SBHCS	1
35	9R201809	SPRING, CHECK PAWL	2
36	391814-00	GROMMET	1
37	9R196682	TRIGGER PIN	1
38	9R201812	FLAT TRIGGER BRKT	1
39	9R196677	PUSHER	1
40	9R217765	LATCH ASSEMBLY	1
41	195327	SPRING PIN	1
42	9R196737	NOSE	1
43	9R201813	CHECK PAWL	1
44	9R196718	CAP	1
45	180499	ROLLER-PUSHER	1
46	180496	SPRING	1
47	180495	SPRING	1
48	180238	SET NUT	1
49	181915	MAGAZINE	1
50	180500	REAR PLATE	1
51	180503	PIN SPRING	3
52	180501	LATCH	1
53	180502	SPRING-LATCH	1
54	180319	SUPPORT-LATCH SPRING	1
55	175666	COVER-LATCH	1
56	175665	END CAP	1
57	9R201814	UPPER CONTACT ASSEM	1

## Parts List for BTFP12233 Type 15150000 and higher

Item Number	Part Number	Description	Qty Required
58	9R196726	MAGAZINE BRACKET	1
59	180504	WASHER, FLAT	3
60	MHE4070-100	ELASTIC STOP NUT-M4	1
61	9R196736	NOSE COVER	1
62	9R196743	MAGAZINE	1
63	9R196744	PAD	3
64	9R196686	CONTACT TRIP	1
65	9R196681	CONTACT ARM COVER	1
66	9R202294	ASSEMBLY BELT HOOK	1
68	9R207509	SPRING	1
69	9R205607	TRIGGER SPRING	1
70	9R205611	TRIGGER ASSEMBLY	1
71	9R196713	PRODUCT/FAST. LABEL	1
72	180296	LABEL-WARNING	1
73	174345	PIN SPRING	3
75	MSC4070-10	SCREW-SHCS-M4X0.70X1	2
76	181919	LABEL-WARNING	1
77	180497	GUIDE-NAIL	1
80	9R196719	NOSE	1
81	9R205614	LARGE TRIGGER ROCKER	1
82	TVA18	TRIGGER VALVE	1
82	9R205626	TRIGGER VALVE ASSEM	1
83	9R196725	COVER	1
84	MPG030012	PIN SPRING	1
85	MSC4070-12	SCREW-SHCS-M4X0.70X1	1
97	110071	PIN-SPRING-M2X10MM	2
861	180583	BLOW MOLDED CASE-BT/	1