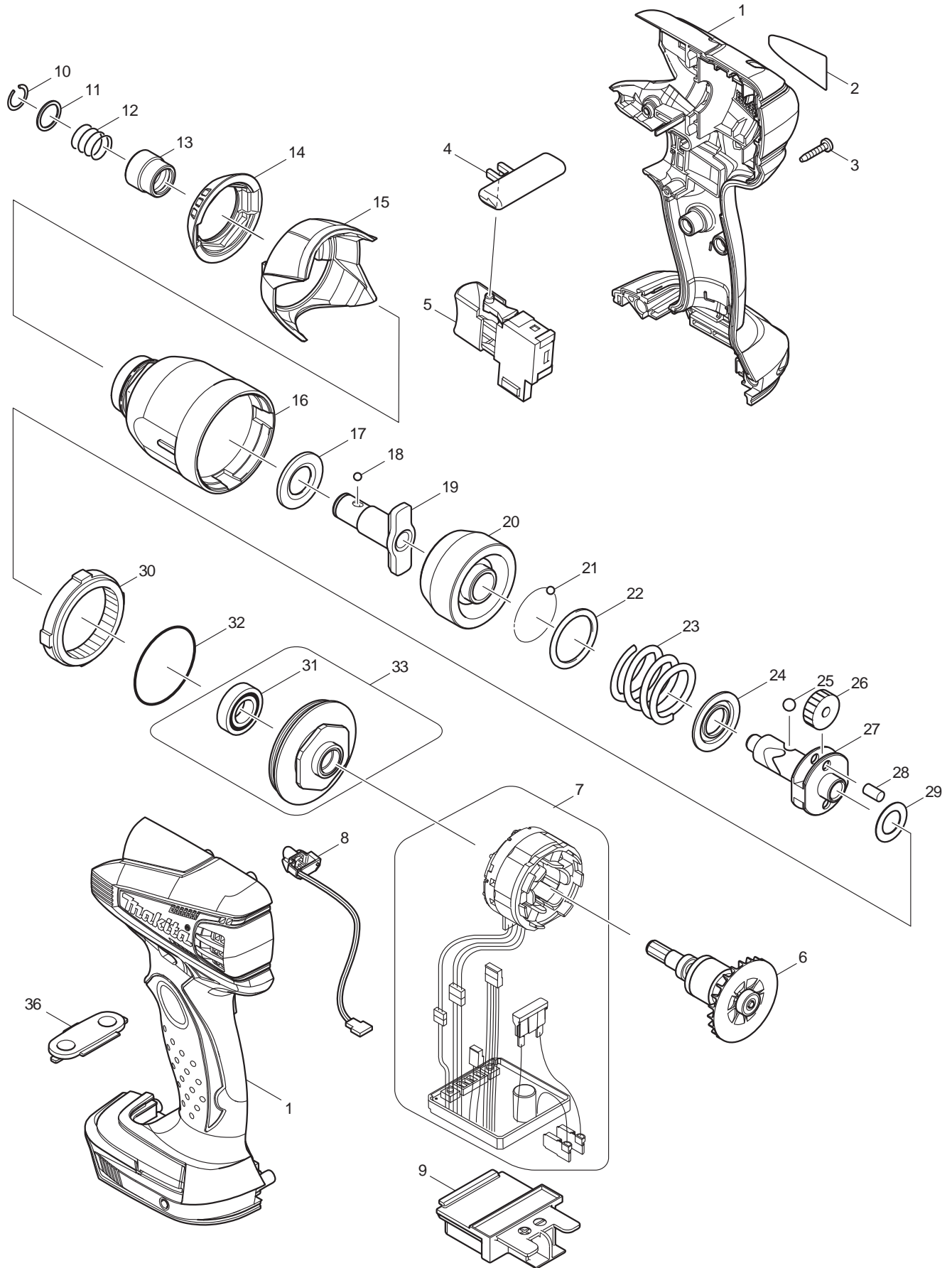




08 - 2010

BTD144Z

# 18V BRUSHLESS IMPACT DRIVER



| Item No. | Type | Sub  | Part No. | Description                   | Qty | Unit |
|----------|------|------|----------|-------------------------------|-----|------|
| 1        |      |      | 188632-4 | HOUSING SET                   | 1   | SET  |
|          |      | INC. | 810476-1 | CAUTION LABEL                 | 1   | PC.  |
| 2        |      |      | 866396-7 | BTD144 NAME PLATE             | 1   | PC.  |
| 3        |      |      | 266130-9 | TAPPING SCREW BIND PT 3X16    | 9   | PC.  |
| 4        |      |      | 419041-9 | F/R CHANGE LEVER              | 1   | PC.  |
| 5        |      |      | 650607-8 | SWITCH                        | 1   | PC.  |
| 6        |      |      | 619239-0 | ROTOR                         | 1   | PC.  |
| 7        |      |      | 638656-5 | STATOR UNIT                   | 1   | PC.  |
|          |      | INC. | 194922-5 | CONTROLLER SET                | 1   | SET  |
|          |      | INC. | 194923-3 | STATOR SET                    | 1   | SET  |
| 8        |      |      | 631829-9 | LED CIRCUIT                   | 1   | PC.  |
| 9        |      |      | 643833-6 | TERMINAL                      | 1   | PC.  |
| 10       |      |      | 231951-8 | RING SPRING 11                | 1   | PC.  |
| 11       |      |      | 267085-1 | FLAT WASHER 12                | 1   | PC.  |
| 12       |      |      | 233005-7 | COMPRESSION SPRING 13         | 1   | PC.  |
| 13       |      |      | 324878-0 | SLEEVE                        | 1   | PC.  |
| 14       | 1    |      | 424153-5 | * BUMPER                      | 1   | PC.  |
|          | 2    |      | 424362-6 | * BUMPER                      | 1   | PC.  |
| 15       | 1    |      | 450792-5 | * HAMMER CASE COVER           | 1   | PC.  |
|          | 2    |      | 452293-9 | * HAMMER CASE COVER           | 1   | PC.  |
| 16       |      |      | 154590-6 | HAMMER CASE COMPLETE          | 1   | PC.  |
| 17       |      |      | 261108-7 | NYLON WASHER 14               | 1   | PC.  |
| 18       |      |      | 216001-0 | STEEL BALL 3.5                | 2   | PC.  |
| 19       |      |      | 324870-6 | ANVIL M                       | 1   | PC.  |
| 20       |      |      | 325671-5 | HAMMER                        | 1   | PC.  |
| 21       |      |      | 216001-0 | STEEL BALL 3.5                | 24  | PC.  |
| 22       |      |      | 267175-0 | FLAT WASHER 24                | 1   | PC.  |
| 23       |      |      | 234082-2 | COMPRESSION SPRING 25         | 1   | PC.  |
| 24       |      |      | 267766-7 | CUP WASHER 14                 | 1   | PC.  |
| 25       |      |      | 216011-7 | STEEL BALL 5.6                | 2   | PC.  |
| 26       |      |      | 226336-1 | SPUR GEAR 22                  | 2   | PC.  |
| 27       |      |      | 324552-0 | SPINDLE                       | 1   | PC.  |
| 28       |      |      | 256253-1 | PIN 5                         | 2   | PC.  |
| 29       |      |      | 267212-0 | FLAT WASHER 12                | 1   | PC.  |
| 30       |      |      | 227150-8 | INTERNAL GEAR 51              | 1   | PC.  |
| 31       |      |      | 211140-1 | BALL BEARING 6901LLB          | 1   | PC.  |
| 32       |      |      | 213507-9 | O RING 40                     | 1   | PC.  |
| 33       |      |      | 158145-9 | BEARING BOX COMPLETE          | 1   | PC.  |
|          |      | INC. |          | Item No. 31                   |     |      |
| 36       |      |      | 158856-6 | SWITCH PLATE COMPLETE         | 1   | PC.  |
| 37       |      |      | 251314-2 | (+) T.H. SCREW M4X12 (F/HOOK) | 1   | PC.  |

### ACCESSORIES

|     |   |      |           |  |   |     |
|-----|---|------|-----------|--|---|-----|
| A01 | 1 |      | DC18RA    | DC18RA BATTERY CHARGER                         | 1 | PC. |
|     | 2 |      | DC18RC    | DC18RC BATTERY CHARGER                         | 1 | PC. |
|     |   |      | DC18SD    | DC18SD BATTERY CHARGER                         | 1 | PC. |
|     |   |      | DC18RAKIT | CHARGER DC18RA + BATTERY BL1830                | 1 | SET |
|     |   |      | DC18SE    | AUTOMOTIVE CHARGER DC18SE                      | 1 | PC. |
|     |   |      | DC24SA    | CHARGER F/7.2-24V, 1.3-3.3AH                   | 1 | PC. |
|     |   |      | DC24SC    | CHARGER F/7.2-24V, 1.3-3.3AH                   | 1 | PC. |
| A02 |   |      | 824812-5  | PLASTIC CARRYING CASE (BLOW MOLD)              | 1 | PC. |
|     |   | INC. | 163455-1  | METAL LATCH                                    | 2 | PC. |
|     |   |      | 824753-5  | PLASTIC CARRYING CASE (OPTIONAL)               | 1 | PC. |
|     |   | INC. | 324207-7  | SHAFT  | 1 | PC. |
|     |   | INC. | 413098-2  | PLATE  | 4 | PC. |
|     |   | INC. | 417724-5  | LATCH  | 2 | PC. |
|     |   | INC. | 419215-2A | PLASTIC CASE LID, TAB TYPE (HOOK TYPE - N/L/A) | 1 | PC. |
|     |   | INC. | 419216-0  | HANDLE   | 1 | PC. |

| Item No. | Type | Sub | Part No. | Description                      | Qty | Unit |
|----------|------|-----|----------|----------------------------------|-----|------|
| A03      |      |     | 450128-8 | BATTERY COVER                    | 1   | PC.  |
| A04      |      |     | 194205-3 | 18V LI-ION BATTERY BL1830        | 1   | PC.  |
|          |      |     | 194230-4 | 18V LI-ION BATTERY BL1830 (2/PK) | 2   | SET  |
|          |      |     | 194309-1 | 18V LI-ION BATTERY BL1815        | 1   | PC.  |
|          |      |     | 194428-3 | 18V LI-ION BATTERY BL1815 (2/PK) | 2   | SET  |
| A05      | 1    |     | 324705-1 | HOOK F/ BL1830                   | 1   | PC.  |
|          | 2    |     | 346449-3 | HOOK F/ BL1830, BL1815           | 1   | PC.  |
|          | Opt1 |     | 346034-2 | HOOK F/ BL1815                   | 1   | PC.  |
|          | Opt2 |     | 346449-3 | HOOK F/ BL1830, BL1815           | 1   | PC.  |
| A07      |      |     | 194649-7 | BATTERY PROTECTOR                | 1   | PC.  |

**SERVICE CHANGES**

**1. CHANGES ON BUMPER AND HAMMER CASE COVER**

| Item No. | Description       | Type1    | Type2    |
|----------|-------------------|----------|----------|
| 14       | Bumper            | 424153-5 | 424362-6 |
| 15       | Hammer Case Cover | 450792-5 | 452293-9 |

\*Above parts are completely interchangeable as a set.



**2. Changes on Hook**

| Item No. | Description | Type 1   | Type 2   |
|----------|-------------|----------|----------|
| A05      | Hook        | 324705-1 | 346449-3 |
| A05      | Hook        | 346034-2 |          |

