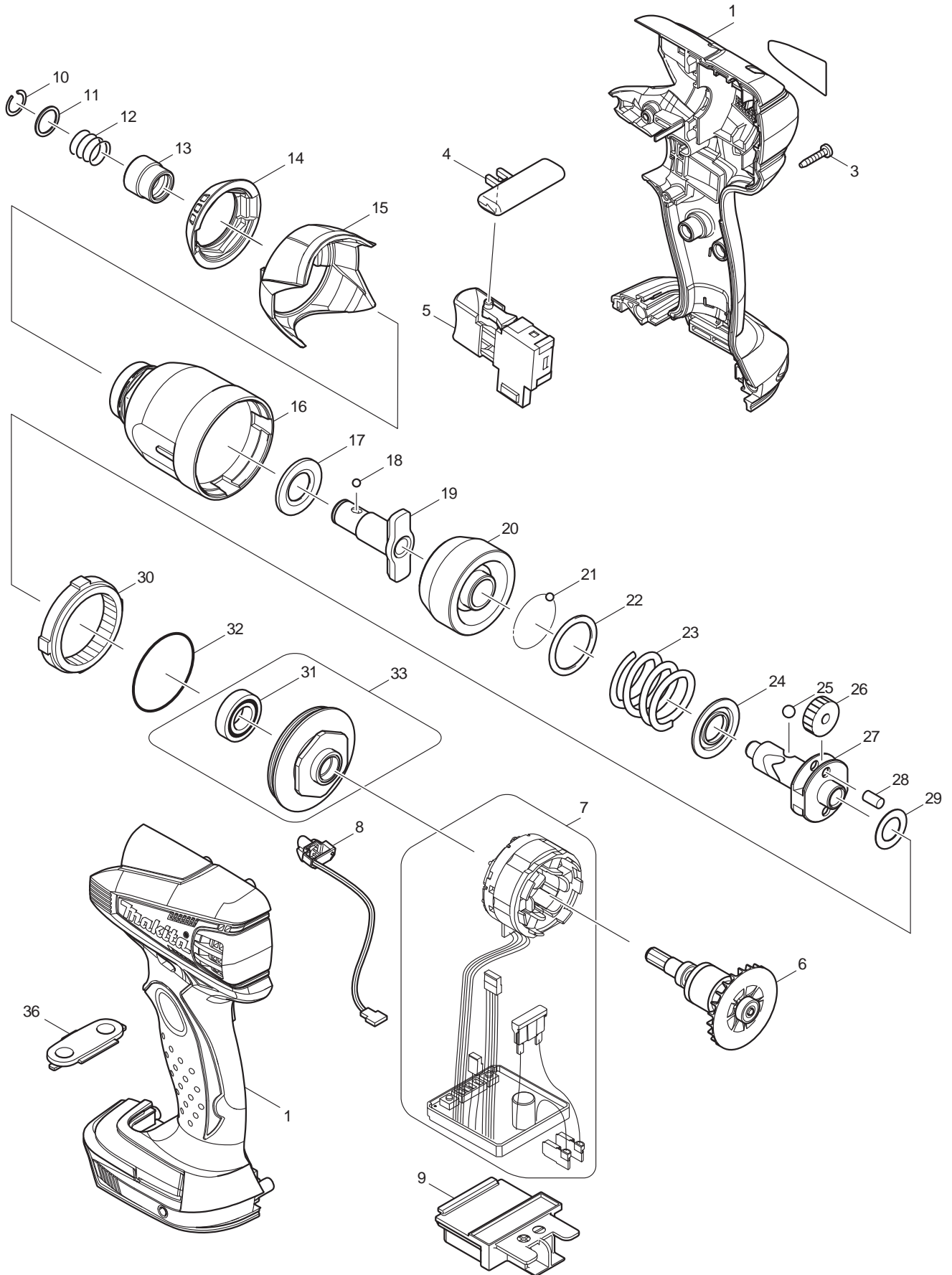




08 - 2010  
BTD132 / BTD132Z  
14.4V BRUSHLESS IMPACT DRIVER



Item No	Type	Ref	Part No	Description	Qty	Unit
1			188600-7	HOUSING SET	1	SET
3			266130-9	TAPPING SCREW BIND PT 3X16	9	PC.
4			419041-9	F/R CHANGE LEVER	1	PC.
5			650607-8	SWITCH	1	PC.
6			619239-0	ROTOR	1	PC.
7	1		629099-2	STATOR (TYPE 1)	1	PC.
	2		638666-2	STATOR UNIT (TYPE 2)	1	PC.
		INC.	194908-9	CONTROLLER SET	1	PC.
		INC.	194909-7	STATOR SET	1	PC.
8			631829-9	LED CIRCUIT	1	PC.
9			643832-8	TERMINAL	1	PC.
10			231951-8	RING SPRING 11	1	PC.
11			267085-1	FLAT WASHER 12	1	PC.
12			233005-7	COMPRESSION SPRING 13	1	PC.
13			324878-0	SLEEVE	1	PC.
14	1		424153-5	* BUMPER	1	PC.
	2		424362-6	* BUMPER	1	PC.
15	1		450792-5	* HAMMER CASE COVER	1	PC.
	2		452293-9	* HAMMER CASE COVER	1	PC.
16			154590-6	HAMMER CASE COMPLETE	1	PC.
17			261108-7	NYLON WASHER 14	1	PC.
18			216001-0	STEEL BALL 3.5	2	PC.
19			324870-6	ANVIL M	1	PC.
20			324583-9	HAMMER	1	PC.
21			216001-0	STEEL BALL 3.5	24	PC.
22			267175-0	FLAT WASHER 24	1	PC.
23			233430-2	COMPRESSION SPRING 24	1	PC.
24			267766-7	CUP WASHER 14	1	PC.
25			216011-7	STEEL BALL 5.6	2	PC.
26			227233-4	SPUR GEAR 22	2	PC.
27			324552-0	SPINDLE	1	PC.
28			256253-1	PIN 5	2	PC.
29			267212-0	FLAT WASHER 12	1	PC.
30			227150-8	INTERNAL GEAR 51	1	PC.
31			211140-1	BALL BEARING 6901LLB	1	PC.
32			213507-9	O RING 40	1	PC.
33			158145-9	BEARING BOX COMPLETE	1	PC.
36			158856-6	SWITCH PLATE COMPLETE	1	PC.
50			251314-2	+ SCREW M4X12(FOR HOOK)	1	PC.

#### **ACCESSORIES**

- See catalogue or visit [www.makita.ca](http://www.makita.ca) for more accessories -

A01	1		324705-1	* HOOK	1	PC.
	2		346449-3	* HOOK	1	PC.
A02	1		DC18RA	FAST CHARGER DC18RA	1	PC.
	2		DC18RC	FAST CHARGER DC18RC	1	PC.
			DC18SE	12V AUTOMOTIVE CHARGER DC18SE	1	PC.
			DC18RAKIT	CHARGER+BATTERY(DC18RA+BL1830)	1	KIT
A03			194066-1	14.4V LI-ION BATTERY BL1430(3.0AH)	1	PC.
			194397-8	14.4V LI-ION BATTERY BL1430, 2PC/PK	1	PK
A04			450128-8	BATTERY COVER	1	PC.

Item No	Type	Ref	Part No	Description	Qty	Unit
A05			824753-5	PLASTIC CARRYING CASE	1	PC.
	INC.		324207-7	SHAFT	1	PC.
	INC.		413098-2	PLATE	4	PC.
	INC.		417724-5	LATCH	2	PC.
	INC.		419215-2A	PLASTIC CASE LID, TAB TYPE	1	PC.
	INC.		419216-0	HANDLE	1	PC.
A06			166070-0	SHOULDER BELT	1	PC.
A07			763067-6	3/8" DRILL CHUCK	1	PC.
A08			784202-3	PHILLIPS BIT 2-45	1	PC.
			784203-1	PHILLIPS BIT 2-65	1	PC.
A09			784643-3	CONNECT BIT 6.35-44 (F/DRILL CHUCK)	1	PC.
A10			763415-9	CHUCK KEY (F/DRILL CHUCK# 763067-6)	1	PC.